

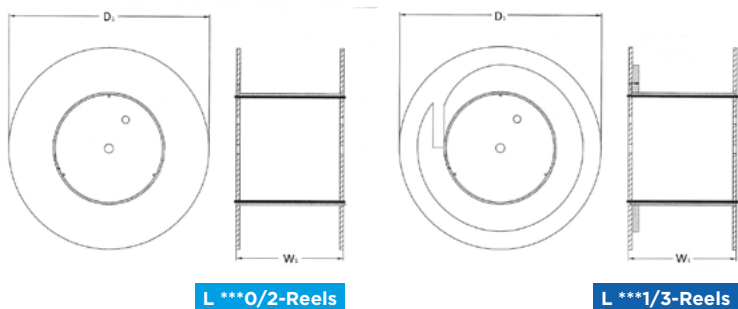


CELLFLEX® Coaxial Cable Shipping & Drum Information

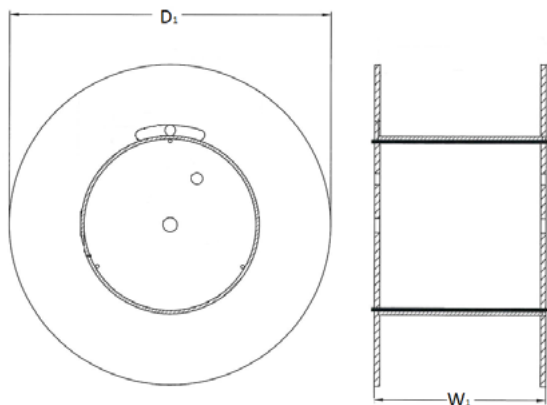


RFS offers L, A and H drums to accommodate your shipping and packing requirements.

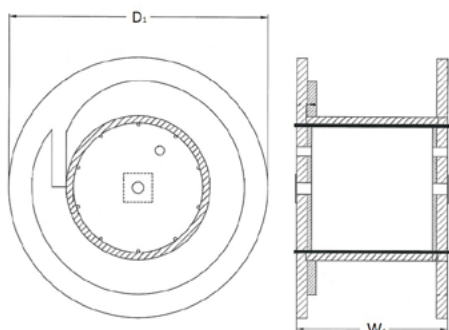
Radio Frequency Systems (RFS) carefully selects proper reel sizes based on the length and overall diameter of the cable to be wound. A reel not matched to the weight of the cable could be damaged during shipment. Additionally, all cable has a minimum safe bending radius. If it is subjected to bends sharper than the minimum radius, damage to the material is likely. L, A & H drum types enhanced outdoor storage capabilities for typically > 6 months.



Drum Type (former ref.)	Drum Type (new ref.)	Width (W1)	Diameter without planking* (D1)	Weight
L 0636	06-042-X	420mm	600mm	
L 0890 / 0880	08-053-X	527mm	850mm	27Kg
L 1192 / 1180	11-077-X	770mm	1120mm	52Kg
L 1590 / 1580	15-097-X	964mm	1500mm	96Kg
L 1890 / 1880	18-111-X	1088mm	1800mm	170Kg



Drum Type (former ref.)	Drum Type (new ref.)	Width (W1)	Diameter without planking* (D1)	Weight
A 1350 / 1383	13-070-M	692mm	1350mm	73Kg
A 2150 / 2180	21-114-M	1120mm	2140mm	229Kg
A 2550 / 2580	25-141-M	1405mm	2500mm	537Kg



Drum Type (former ref.)	Drum Type (new ref.)	Width (W1)	Diameter without planking* (D1)	Weight
H 2173 / 2181	21-114-S	1136mm	2140mm	358Kg
H 2576 / 2586	25-156-S	1560mm	2500mm	541Kg



CELLFLEX® Coaxial Cable

Shipping & Drum Information



Former Drum Type	Carton	SCF14-50	LCF14-50	SCF38-50	LCF38-50	SCF12-50	LCF12-50	LCF78-50	LCFS114-50	LCF158-50
	Drum type	160m	160m	100m	100m	100m	100m	60m		
		not terminated	not terminated	not terminated	not terminated	not terminated	not terminated	not terminated	not terminated	not terminated
L0636	06-042-X	tbd.	tbd.	tbd.	tbd.	tbd.	240m			
L0890/0880	08-053-X	2500m	1490m	1440m	1150m	820m	570m			
L1192/1180	11-077-X					2320m	1670m	550m		
A1350/1383	13-070-M								290m	
L1590/1580	15-097-X						3100m	1190m	580m	
L1890/1880	18-111-X							1760m	920m	550m
A2150/2180	21-114-M							2530m	1240m	630m
H2173/2181	21-114-S							2175m	1135m	595m
A2550/2580	25-141-M								1560m	770m
H2576/2586	25-156-S								1610m	1070m

