

SB4/SBX4 PACKING

Installation Instructions



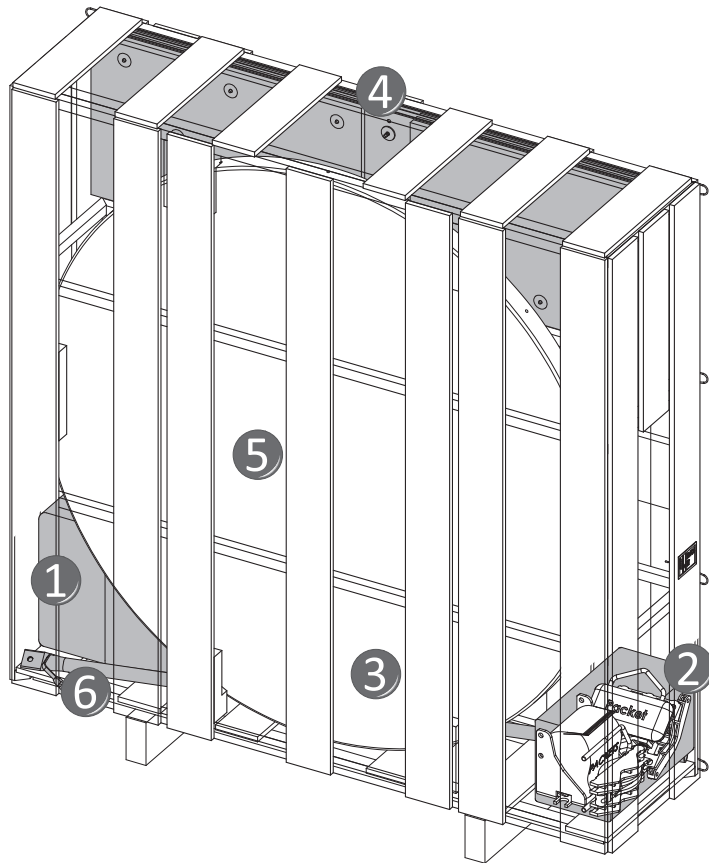
1 / 8

SB4/SBX4 PACKING

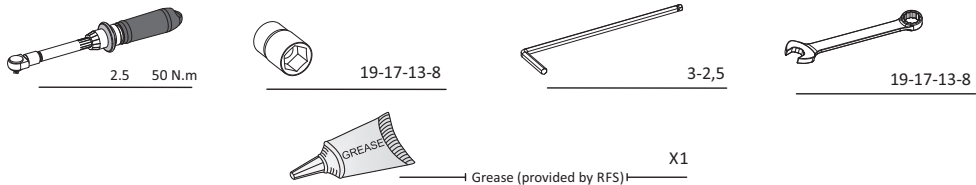
Installation Instructions



2 / 8



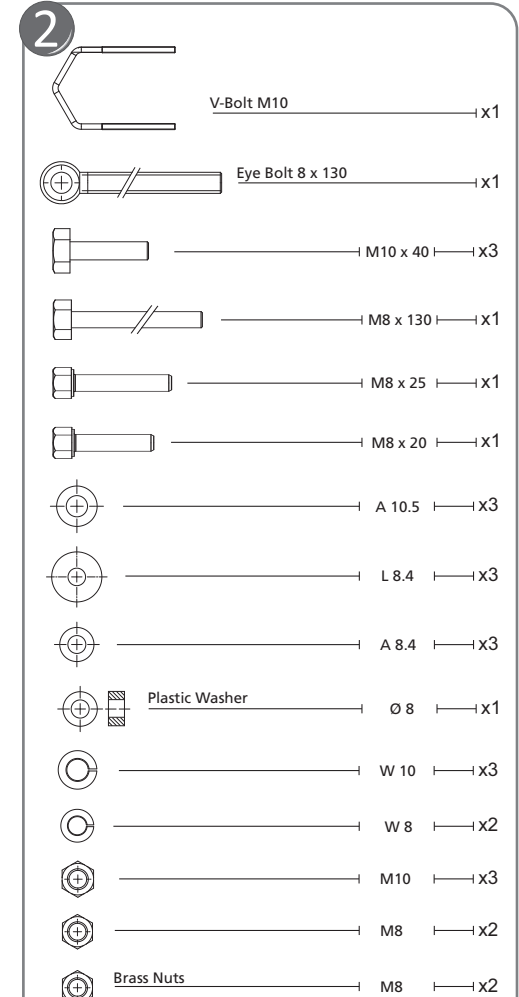
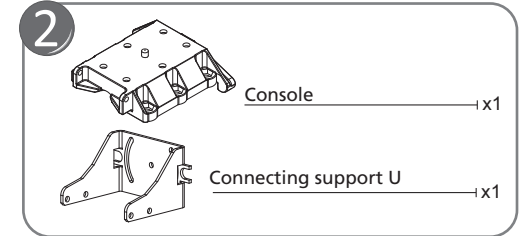
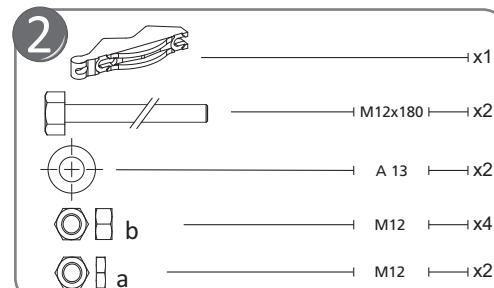
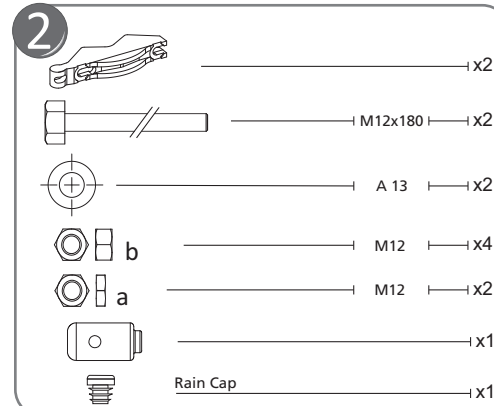
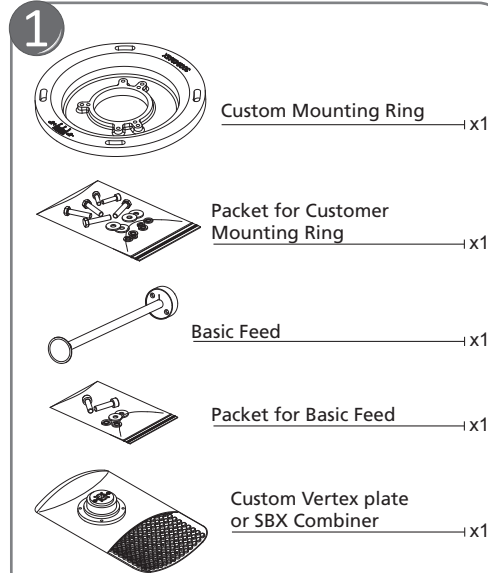
Required tools



It is important to mount the antenna exactly as described in this installation instruction.
The installed antenna shall be inspected once per year by qualified personnel.
RFS disclaims any responsibility for the result of improper or unsafe installation.
This installation instruction has been written for qualified, skilled personnel.

We reserve the right to alter details, especially with respect to technical improvement

NMT-10-1092-00



NMT-10-1092-00

SB4/SBX4 PACKING

Installation Instructions



3 / 8

SB4/SBX4 PACKING

Installation Instructions

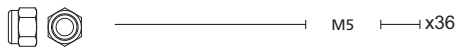
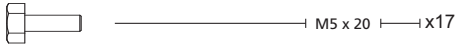


4 / 8

2



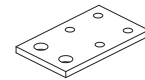
Stainless steel Wire → x1



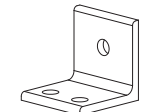
2



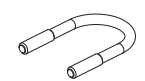
Swaybar clamp → x1



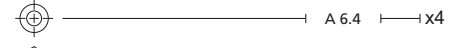
Fixing plate swaybar → x1



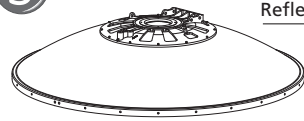
Fixing clamp swaybar → x1



U Bolt M6/27 → x2

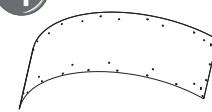


3



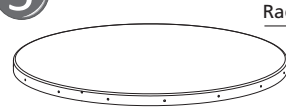
Reflector → x1

4



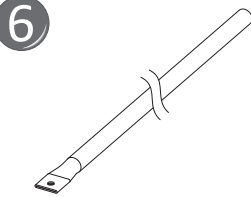
Tunnel → x3

5



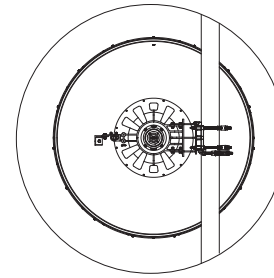
Radome → x1

6

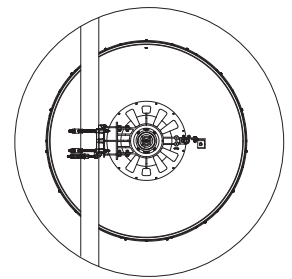
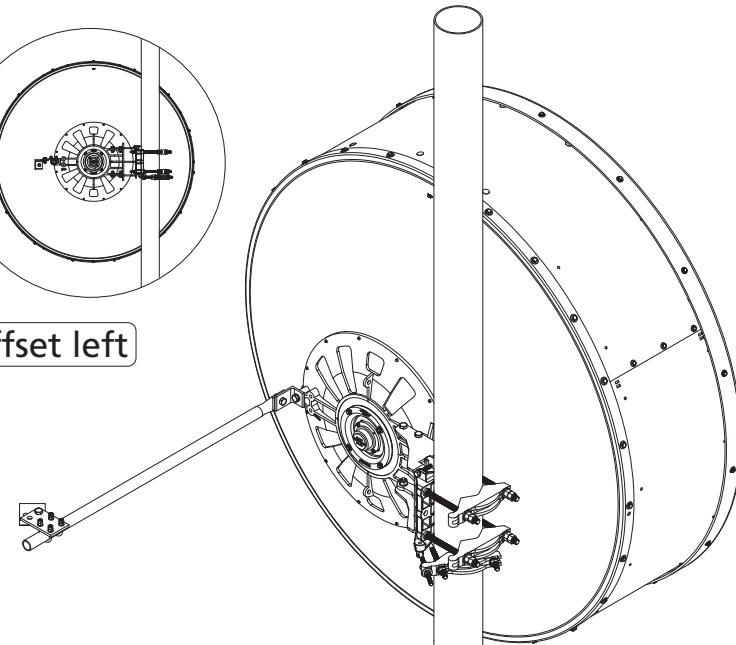


Swaybar → x1

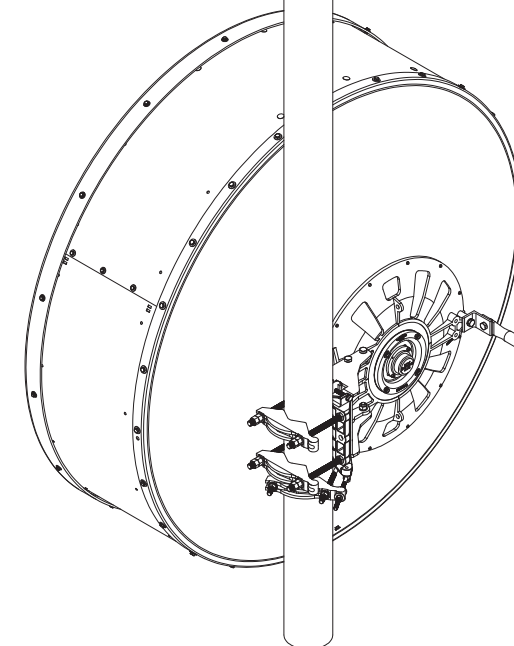
Generic View (Standard Radio Interface)



Offset left



Offset right



SB4/SBX4 PACKING

Installation Instructions

5 / 8



SB4/SBX4 PACKING

Installation Instructions

6 / 8



NMT-10-1092-00

NMT-10-1092-00

1 Working at ground

Working on Pylon

2 Offset left

Offset right

3 Option 1: All Frequencies excepted 6 GHz and 7/8 GHz

Option 2: 6 GHz and 7/8 GHz

4 Option 1

Option 2

	M5x12	X 9
	M5	X 9
	A5.3	X 9

5

SB4/SBX4 PACKING

Installation Instructions

7 / 8



SB4/SBX4 PACKING

Installation Instructions

8 / 8

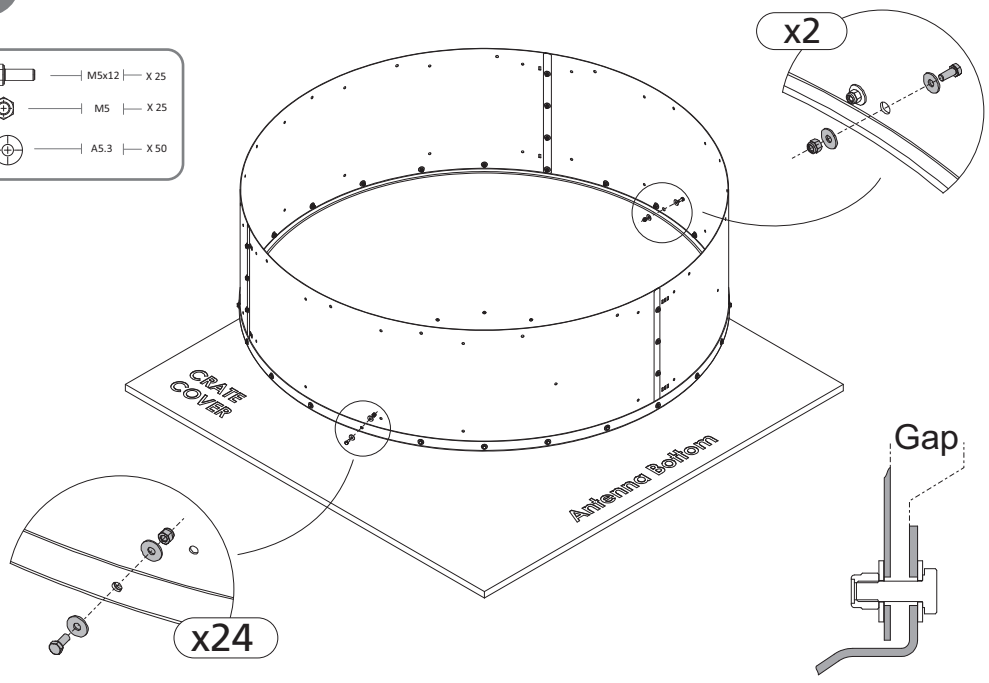


NMT-10-1092-00

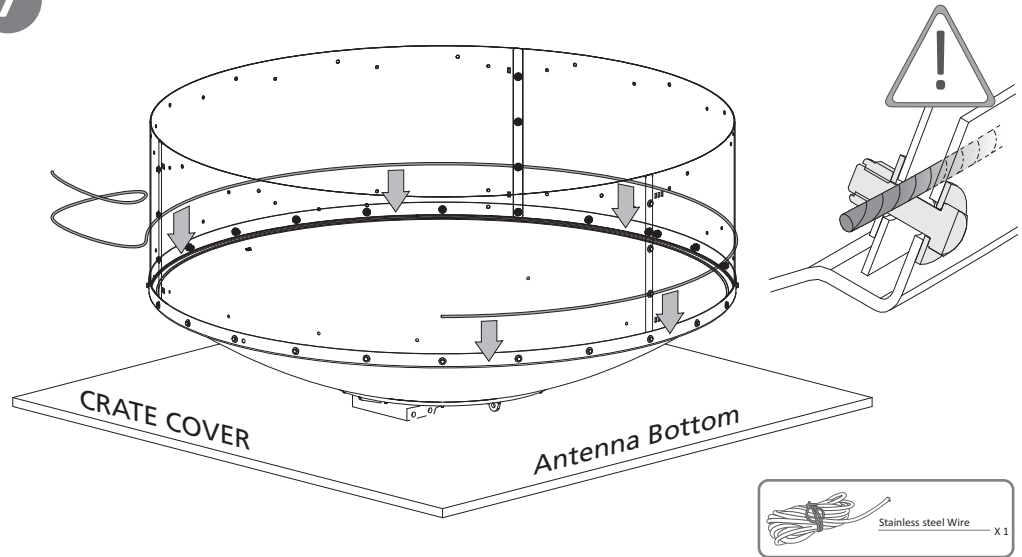
NMT-10-1092-00

6

- M5x12 X 25
- M5 X 25
- A5.3 X 50



7



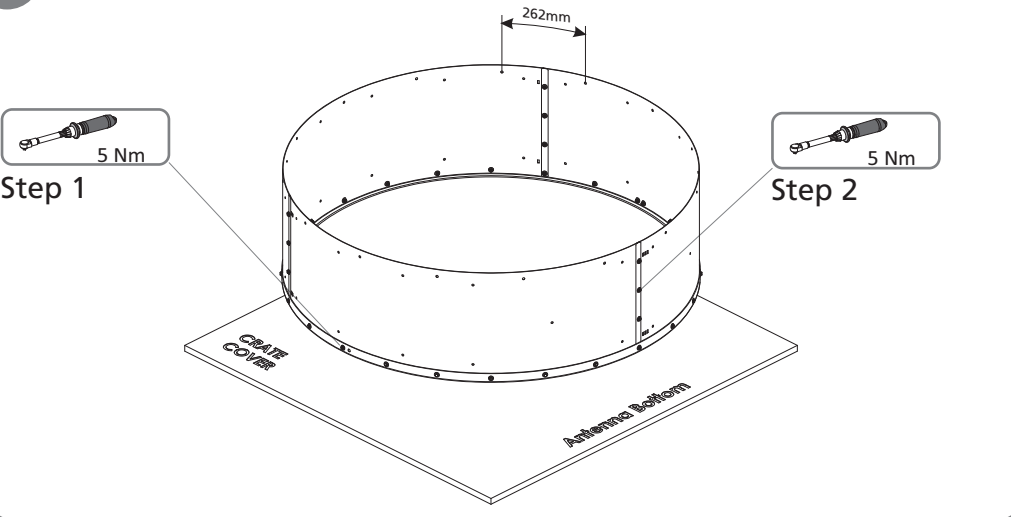
8

Screw tightened following the sequence : Step 1 then Step 2

- 5 Nm
- 5 Nm

Step 1

Step 2



9

- M5x12 X 15
- A5.3 X 15
- B5 X 15

