

# SB4/SBX4 MOUNT

Installation Instruction



1 / 8

# SB4/SBX4 MOUNT

Installation Instruction



2 / 8

NMT-30-1093

NMT-30-1093

**1** Working at ground

Working on Pylon

**2**

35 Nm

	M10x30	X 4
	M10	X 4
	W10	X 4
	A13	X 8

Offset left view

**3**

5 mm gap

	Clamp Casting	X 2
	M12x180	X 4
<b>a</b>	M12	X 4
<b>b</b>	M12	X 8
	A13	X 4

**4** According to the antenna's orientation (Left or Right)

From Packet S-Mount		From Packet Rep A			
	M10x40	X 1		M10x40	X 3
	M10	X 1		M10	X 3
	W10	X 1		W10	X 3
	A10.5	X 1		A10.5	X 3

**5**

1 mm gap

Lock

	X 1	
	8x130	X 1
	8	X 2
	8.4	X 2
	8x20	X 1
	L 8.4	X 1
	W 8	X 1

# SB4/SBX4 MOUNT

Installation Instruction



3 / 8

# SB4/SBX4 MOUNT

Installation Instruction



4 / 8

NMT-30-1093

NMT-30-1093

### 6

- 8 Nm
- U bolt M6/27 | X 2
- Fixing plate Swaybar | X 1
- M6 | X 8
- A6.4 | X 4

### 7

- 35 Nm
- Safety collar mount | X 1
- M10x30 | X 2
- M10 | X 2
- A10.5 | X 4
- W10 | X 2

### 8

- Swaybar clamp | X 1
- M10x30 | X 2
- M10 | X 1
- A10.5 | X 3
- W10 | X 2

### 9

- V-Bolt M10 | X 1
- Clamp Casting | X 1
- 8 x 130 | X 1
- M8 x 25 | X 1
- M10 | X 2
- M8 | X 2
- Brass Nuts
- W10 | X 2
- W8 | X 1
- A10.5 | X 2
- A8 | X 1
- L8.4 | X 2
- Ø8 | X 1

Plastic Washer

Brass Nut

W

L

### 10

~~Working at ground~~

Working on Pylon

### 11

To winch

Shackle

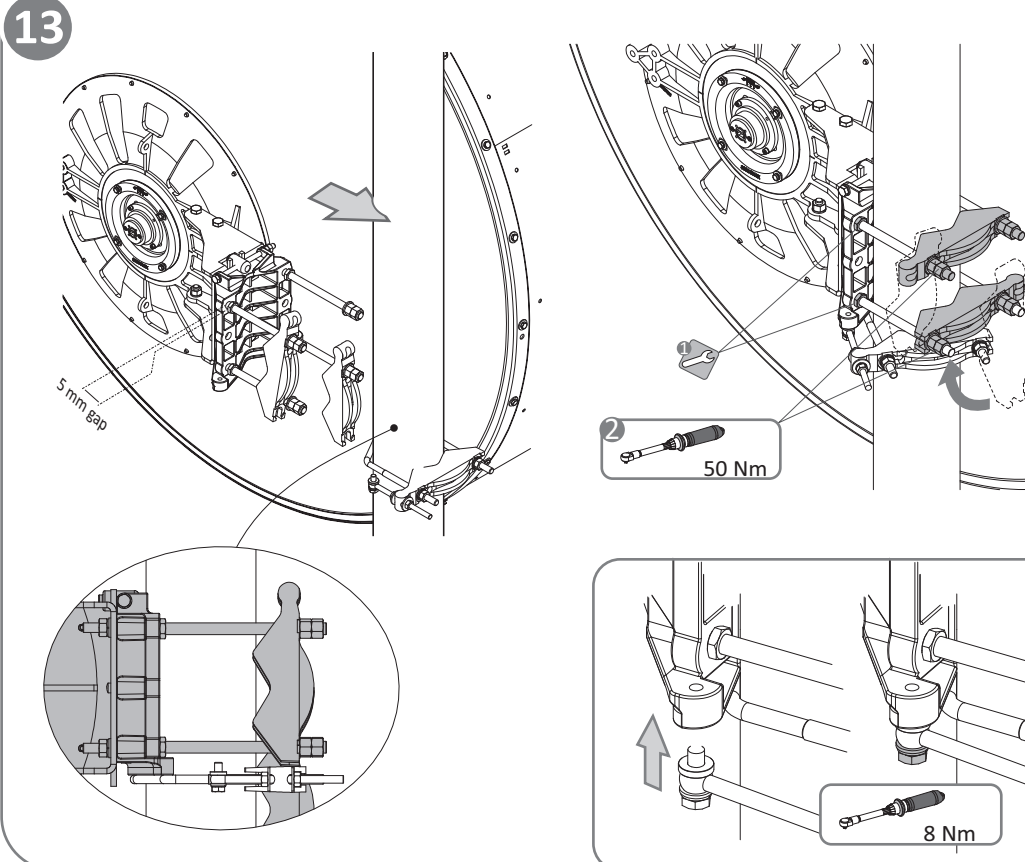
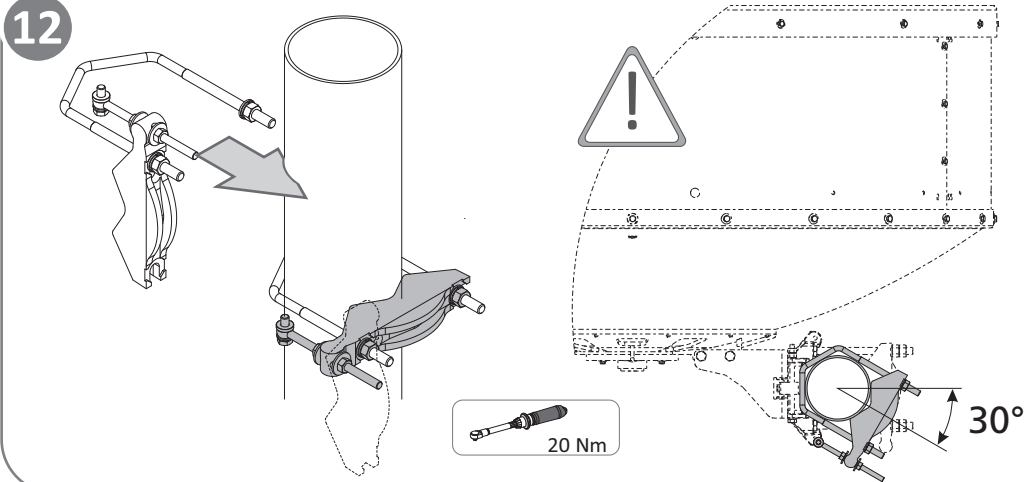
# SB4/SBX4 MOUNT

Installation Instruction

5 / 8



NMT-30-1093



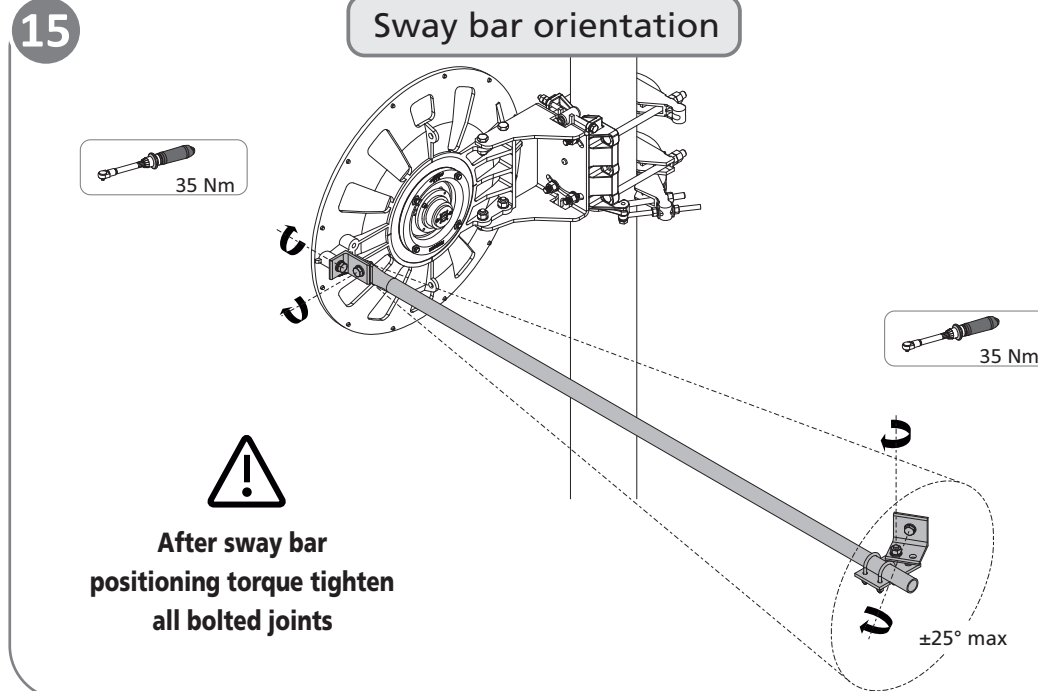
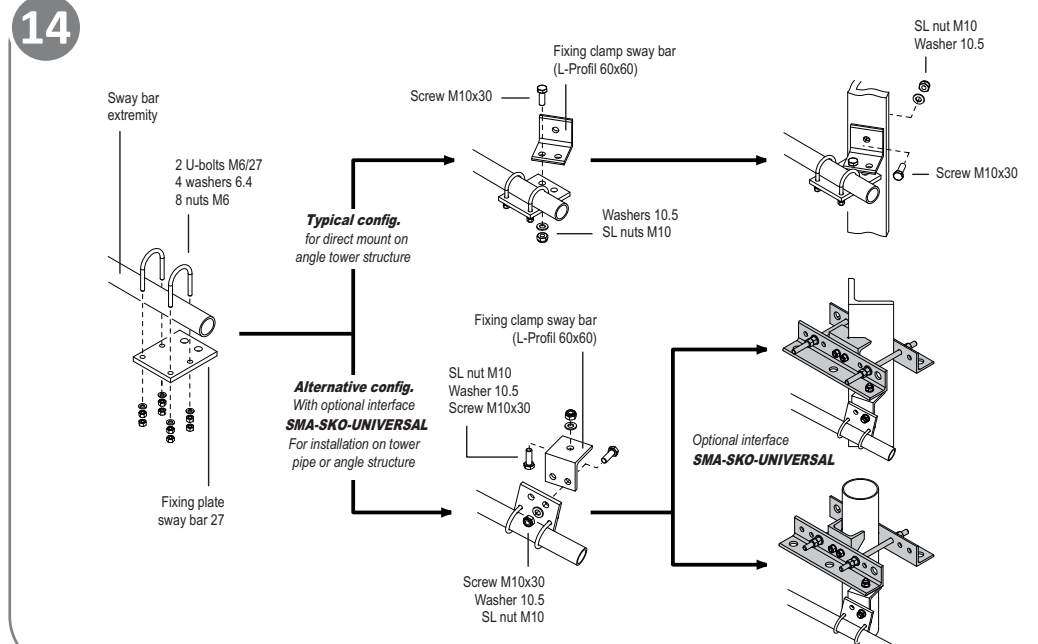
# SB4/SBX4 MOUNT

Installation Instruction

6 / 8



NMT-30-1093



# SB4/SBX4 MOUNT

Installation Instruction

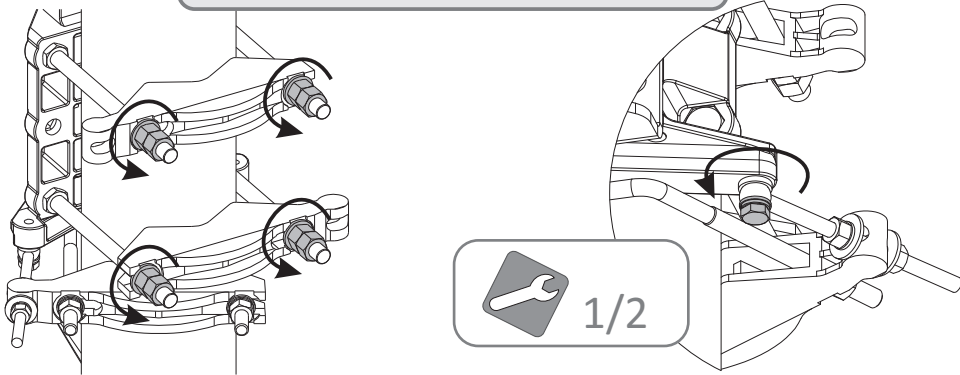


7 / 8

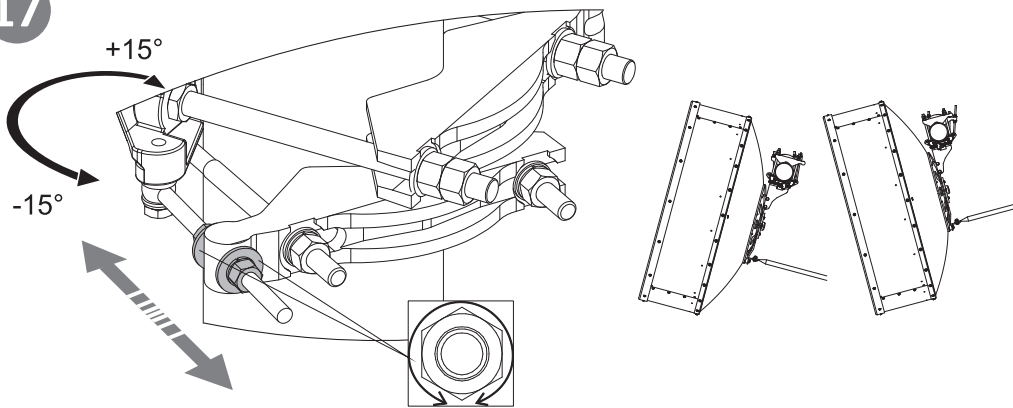
NMT-30-1093

## AZIMUTH ADJUSTMENT

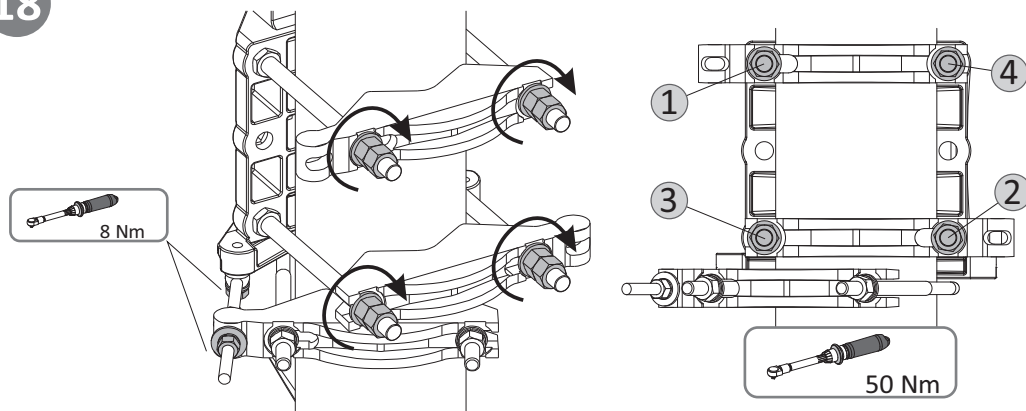
16



17



18



# SB4/SBX4 MOUNT

Installation Instruction

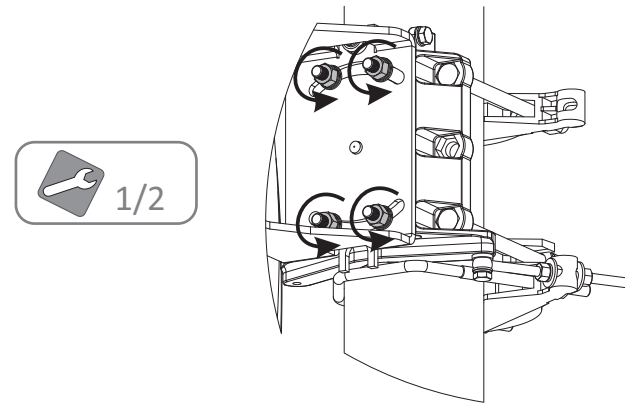


8 / 8

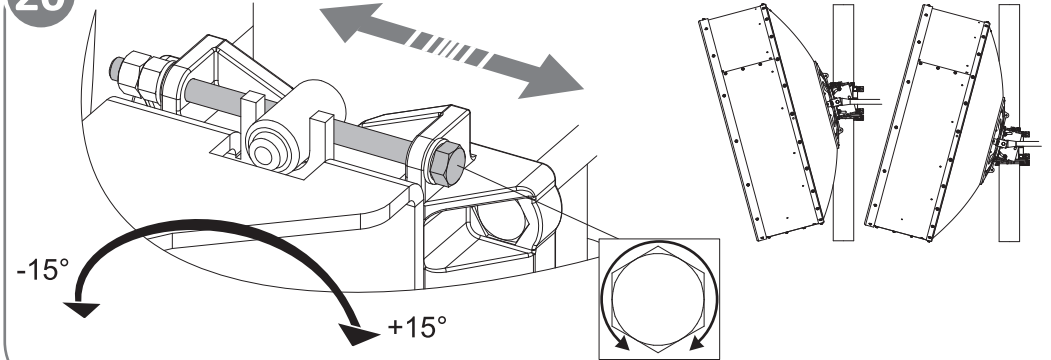
NMT-30-1093

## ELEVATION ADJUSTMENT

19



20



21

