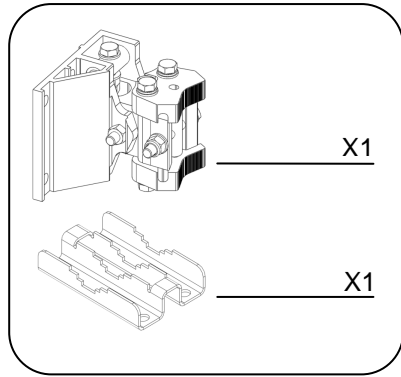




SC2/SCX2 antenna Installation instruction

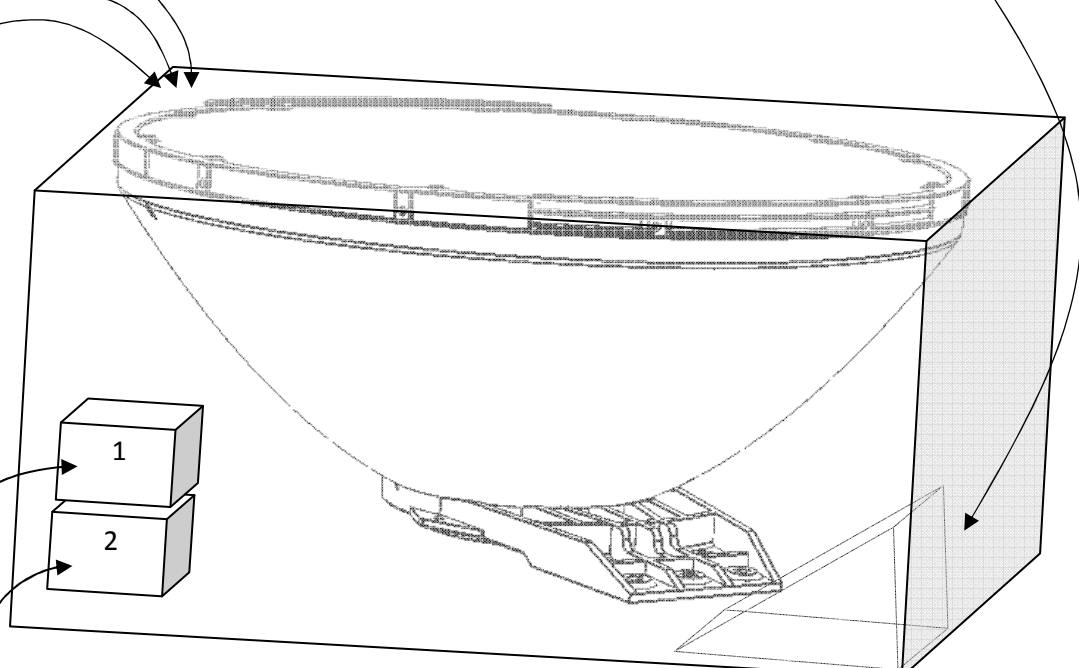
- X2
- M10 X8
- 10.5 X4
- M10x40 X4
- M10 X4
- 10 X4
- 10 X4
- grease X1
- cap X1



Customer mounting ring

Customer vertex plate

Basic feed



Required tools

- 2.5 → 35 N.m
- 17
- 3 / 2.5
- 17 mm

It is important to mount the antenna exactly as described in this installation instruction.

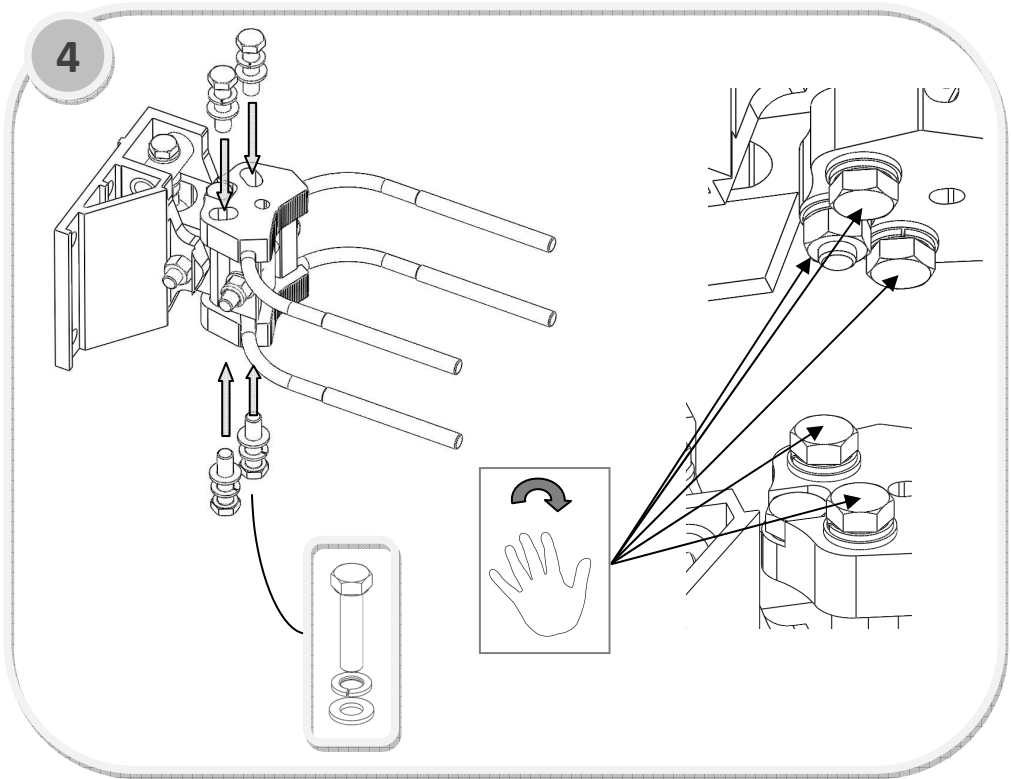
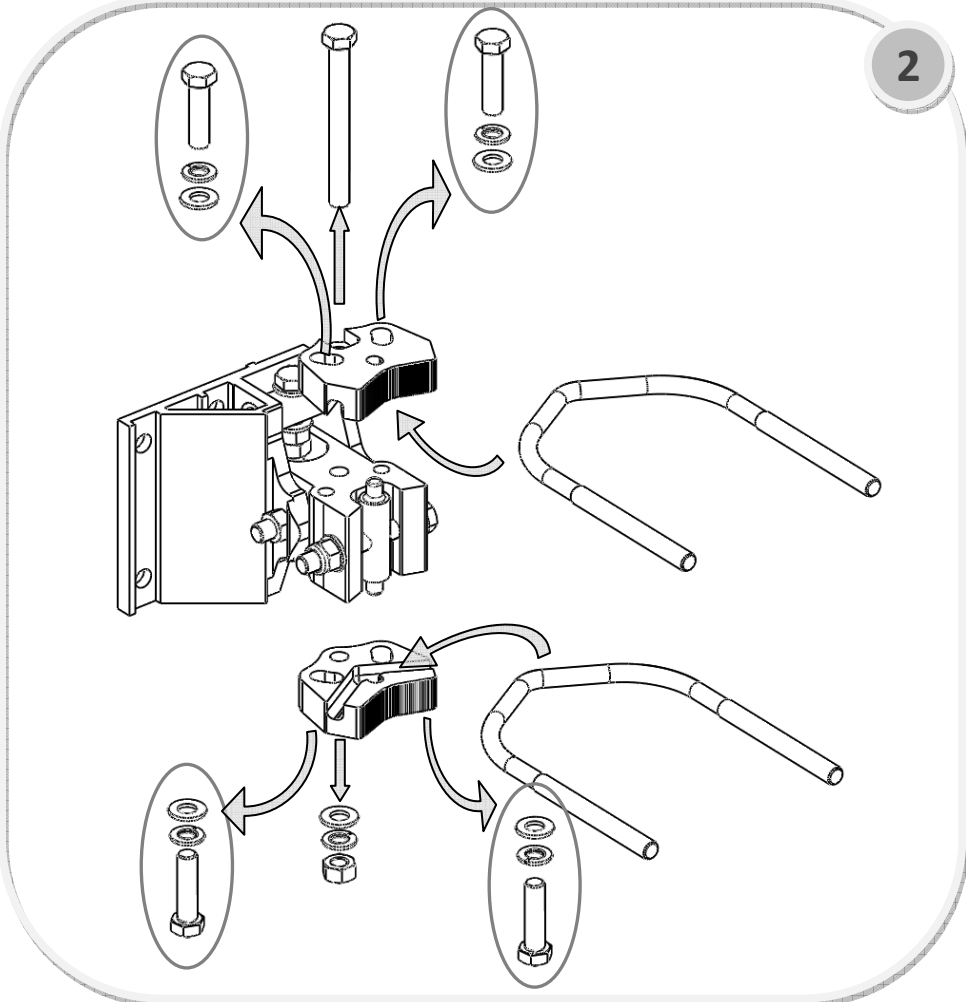
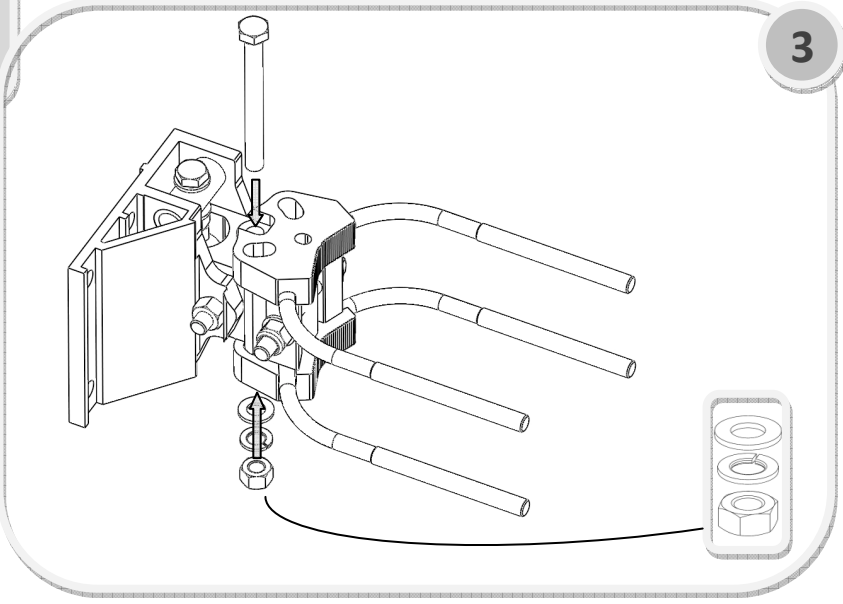
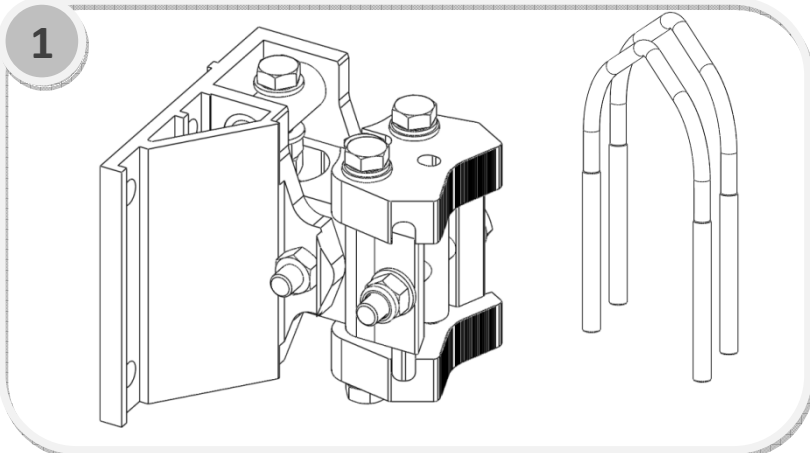
The installed antenna shall be inspected once per year by qualified personnel.

RFS disclaims any responsibility for the result of improper or unsafe installation.

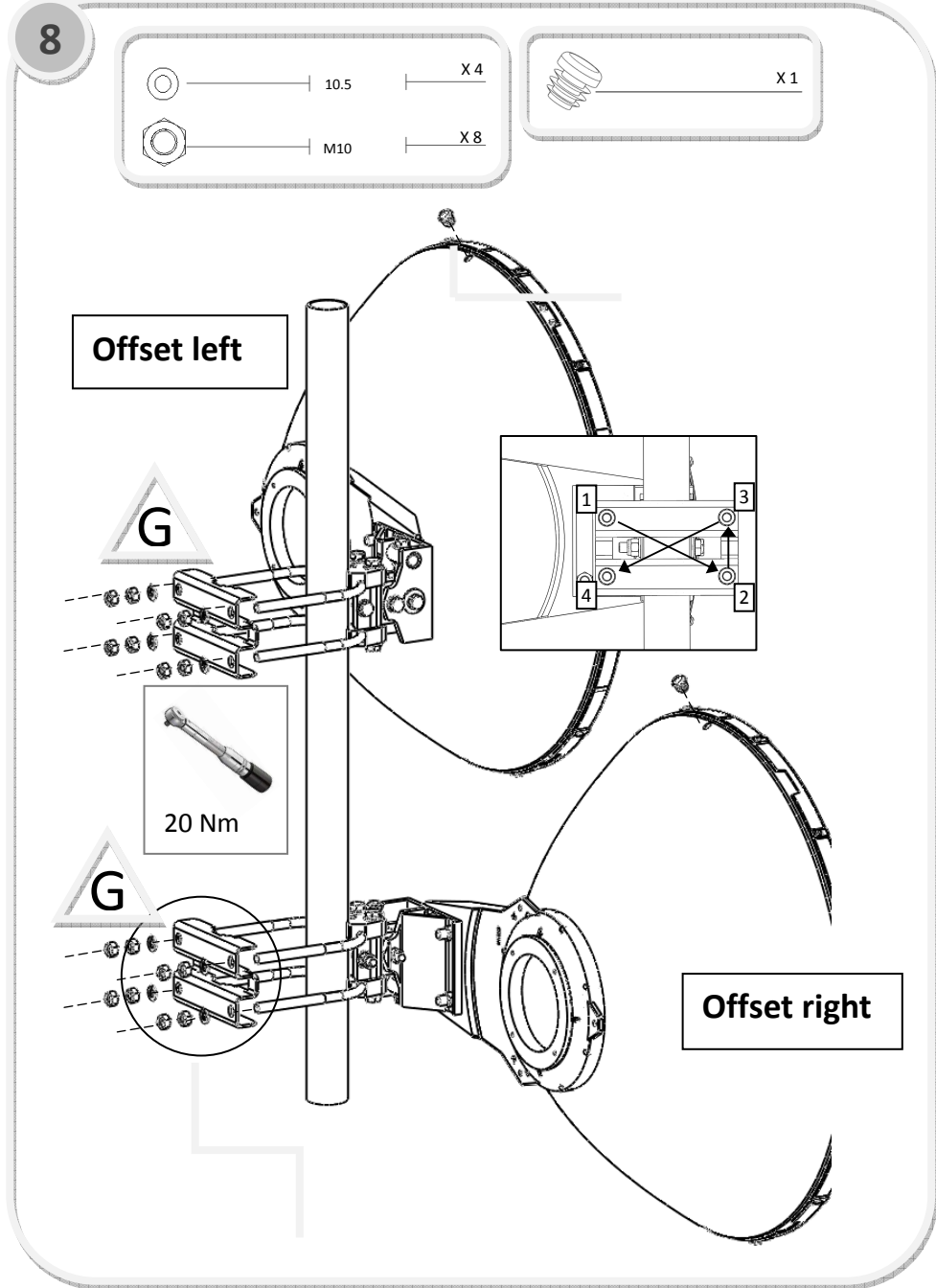
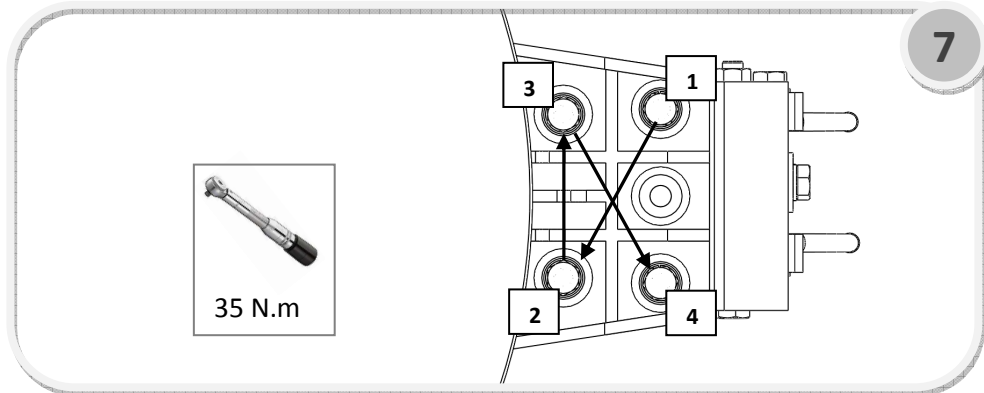
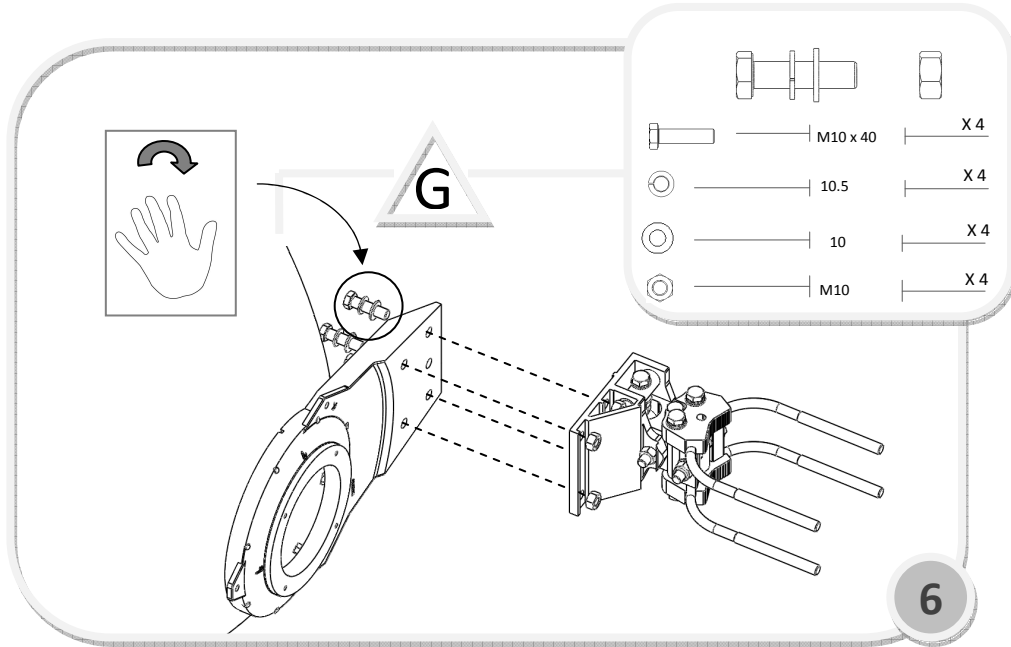
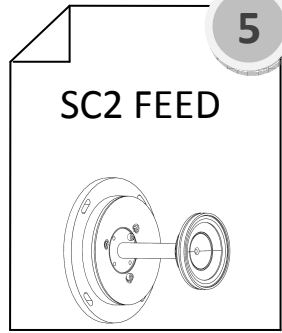
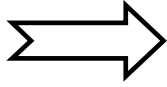
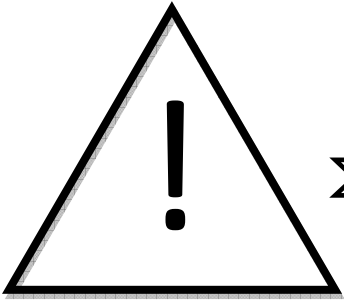
This installation instruction has been written for qualified, skilled personnel.

We reserve the right to alter details, especially with respect to technical improvement.

SC2/SCX2 antenna Installation instruction



SC2/SCX2 antenna Installation instruction



SC2/SCX2 antenna Installation instruction

Azimuth Adjustment

Elevation Adjustment

