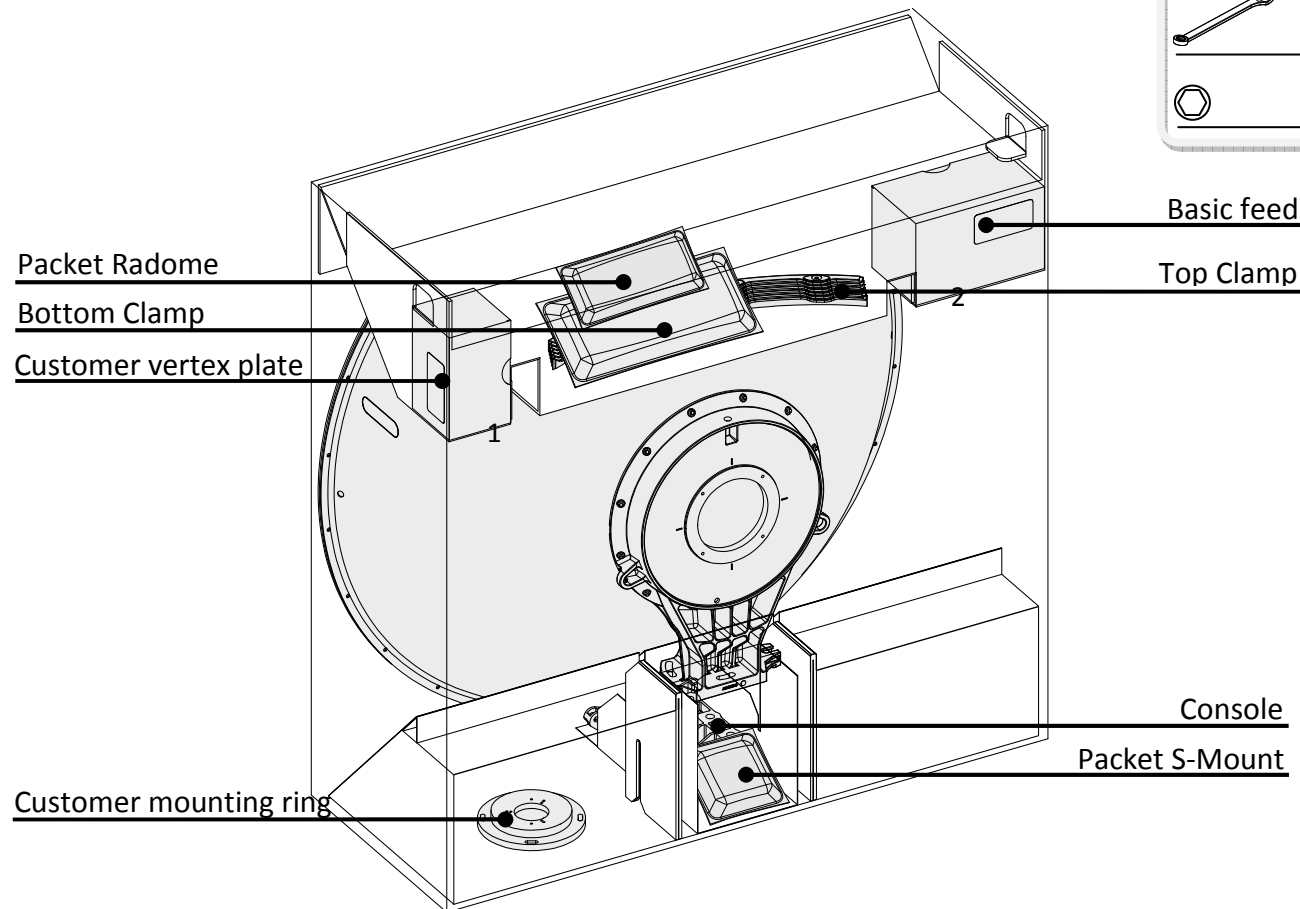


SC3/SCX3 antenna Installation instruction



Required tools

	2.5 → 50N.m
	3 / 2.5
	8/13/17/19mm
	8/13/17/19mm

	M5x25	X 24
	M5	X 24
	5	X 24
	5.3	X 24
		X 24

	X2	X 1
	M12x170	X 1

	Grease	X 1
		X 1
		X 1

	M8x130	X 1
	M8x25	X 1
	M8x20	X 1
	M10x40	X 3
	M10	X 5
	10.5	X 5
	10	X 5
	8.4	X 3
	8.4	X 3
	8	X 4
	M8	X 5
		X 1
		X 1

It is important to mount the antenna exactly as described in this installation instruction.

The installed antenna shall be inspected once per year by qualified personnel.

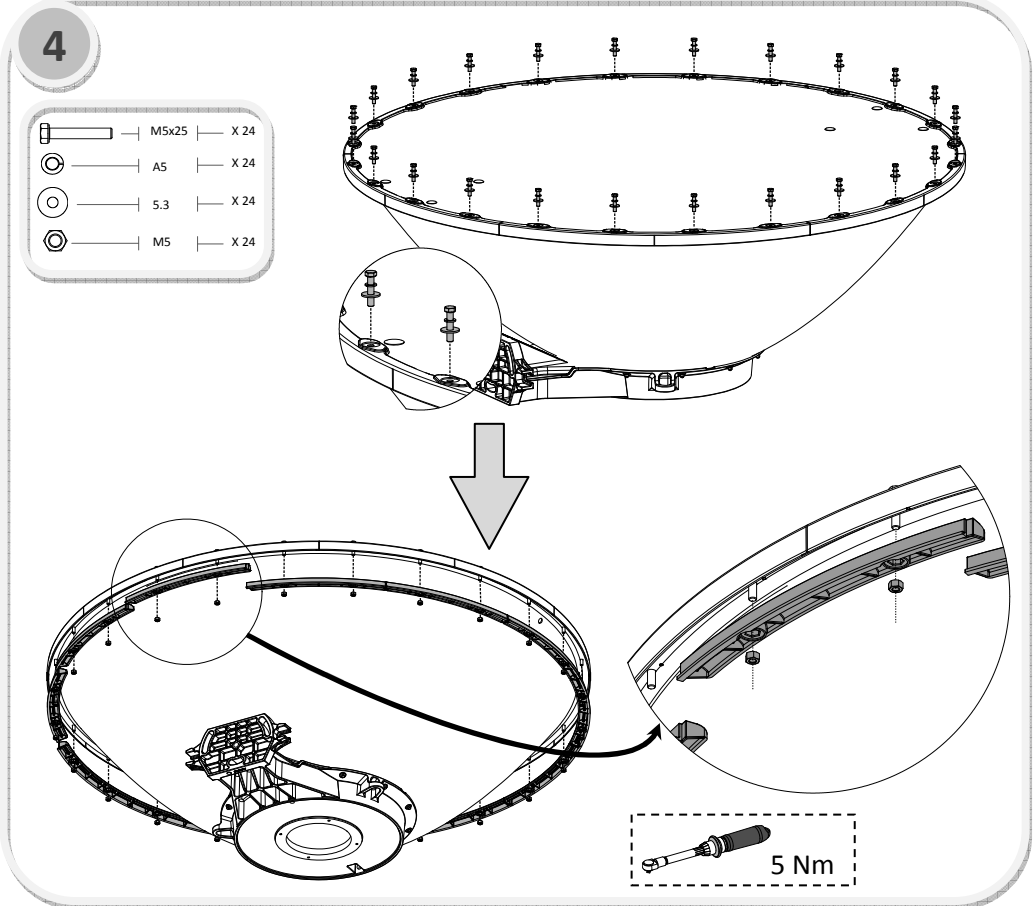
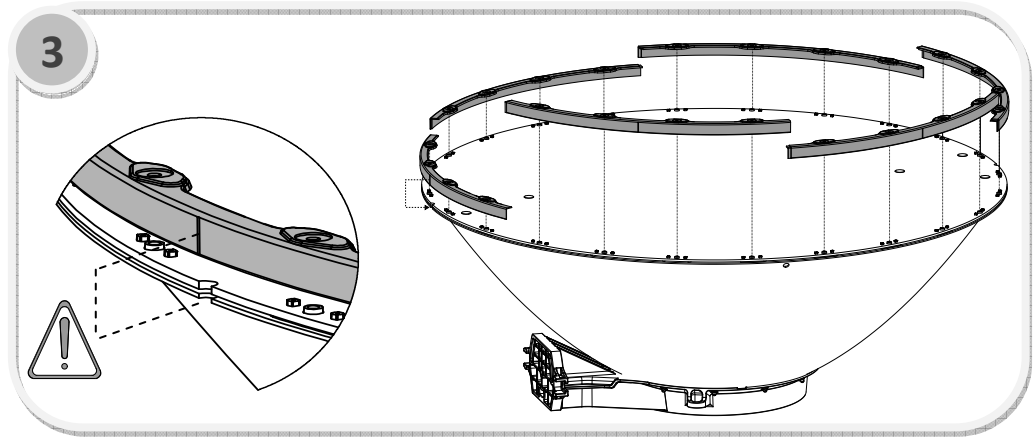
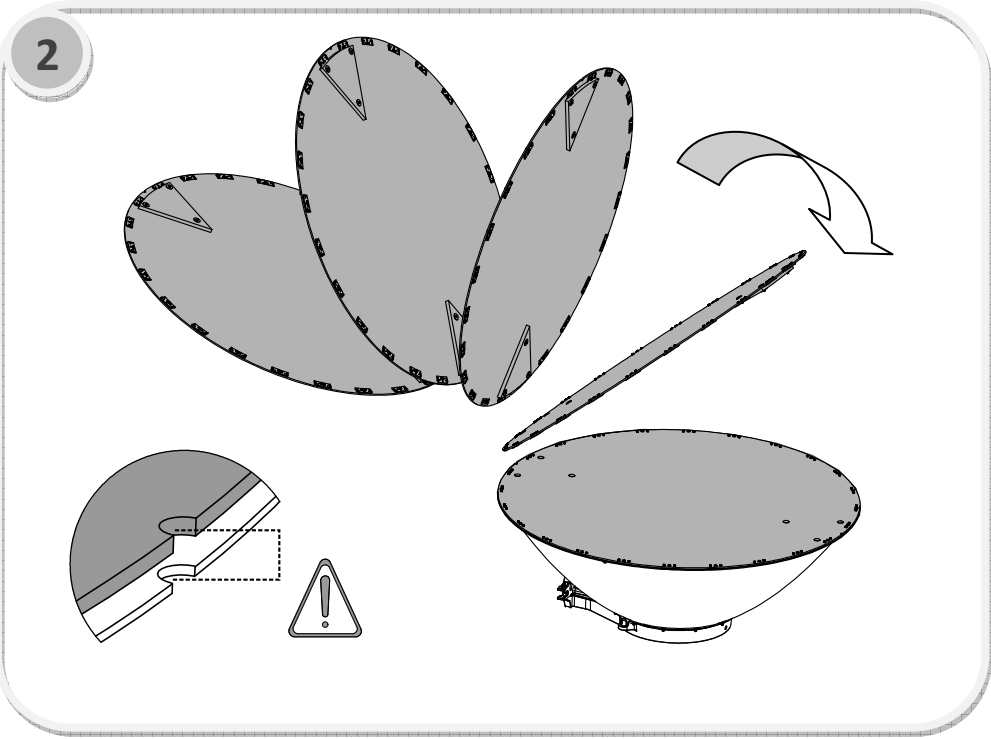
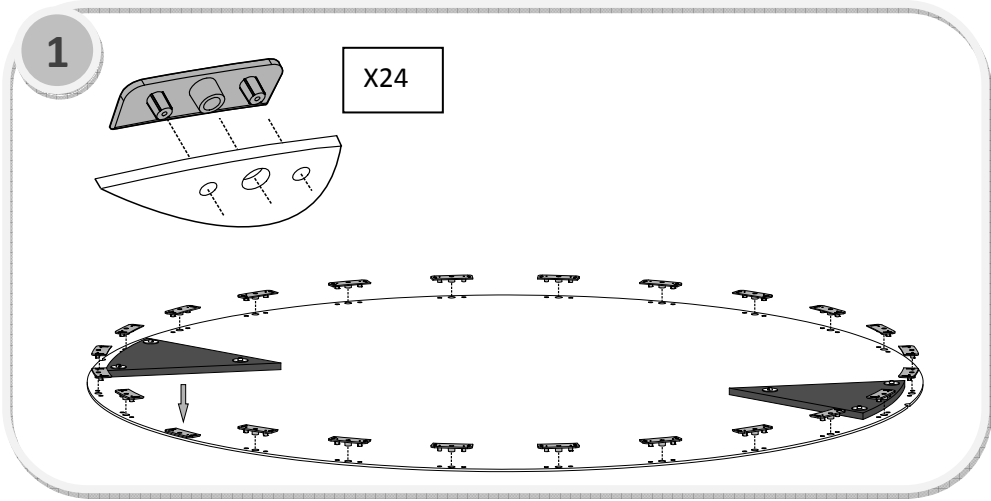
RFS disclaims any responsibility for the result of improper or unsafe installation.

This installation instruction has been written for qualified, skilled personnel.

We reserve the right to alter details, especially with respect to technical improvement.

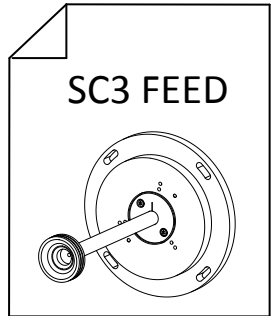
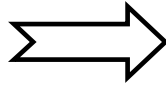
SC3/SCX3 antenna

Installation instruction



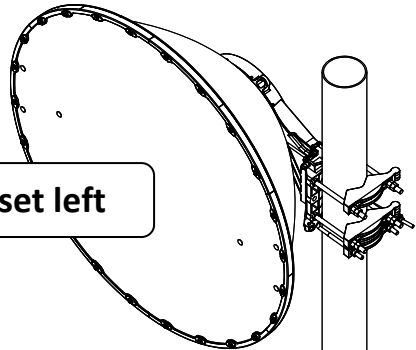
SC3/SCX3 antenna Installation instruction

5

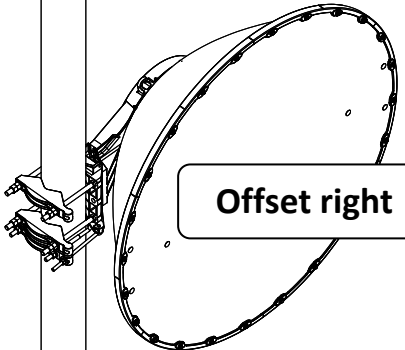


The feed has to be inserted with precaution to avoid any shock and damage

Offset left



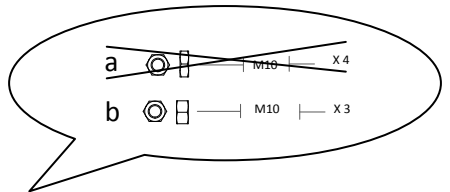
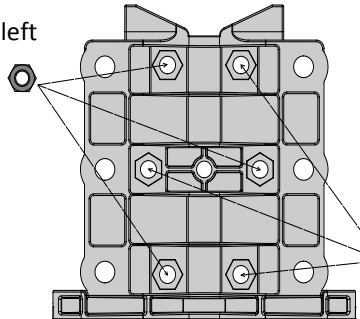
Offset right



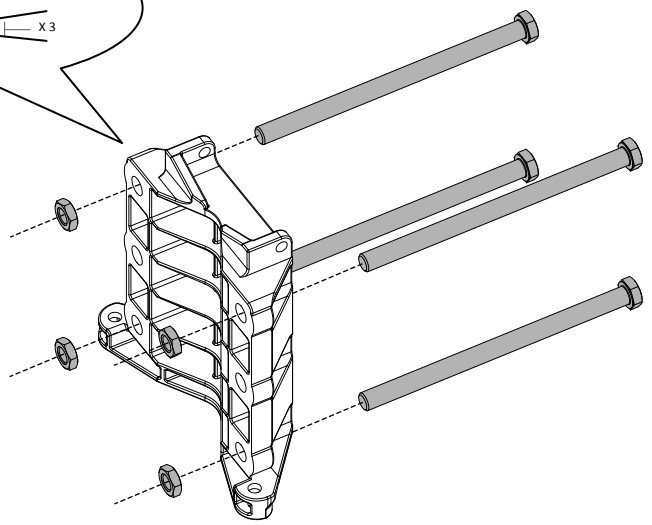
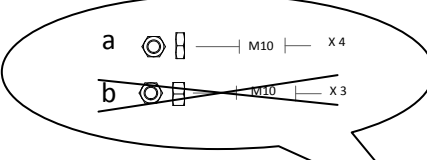
6

	M10x40	X 3	a		M10	X 4
	A10	X 3	b		M10	X 3
	10.4	X 3				
	M12x170	X 4				

Offset left

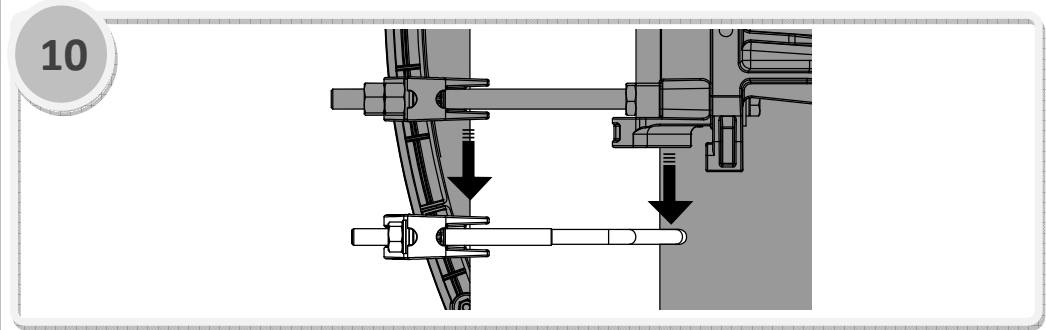
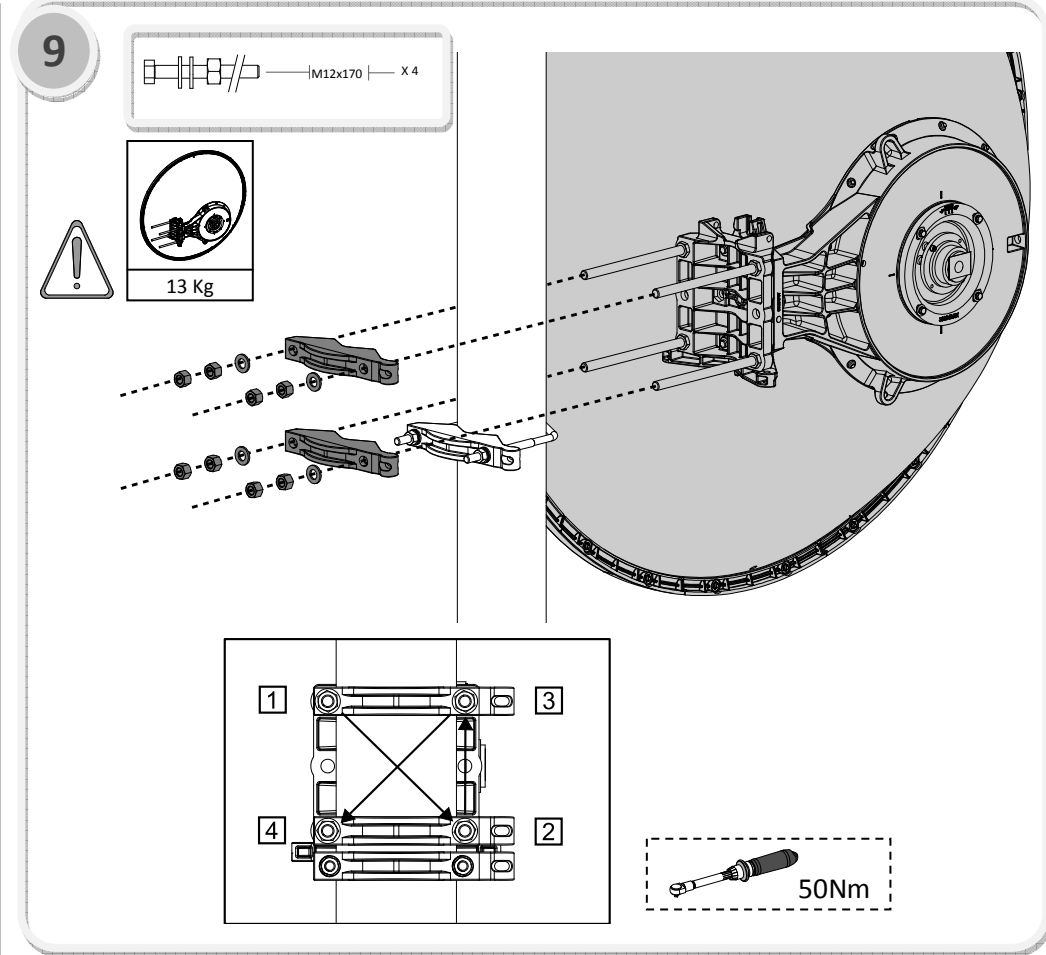
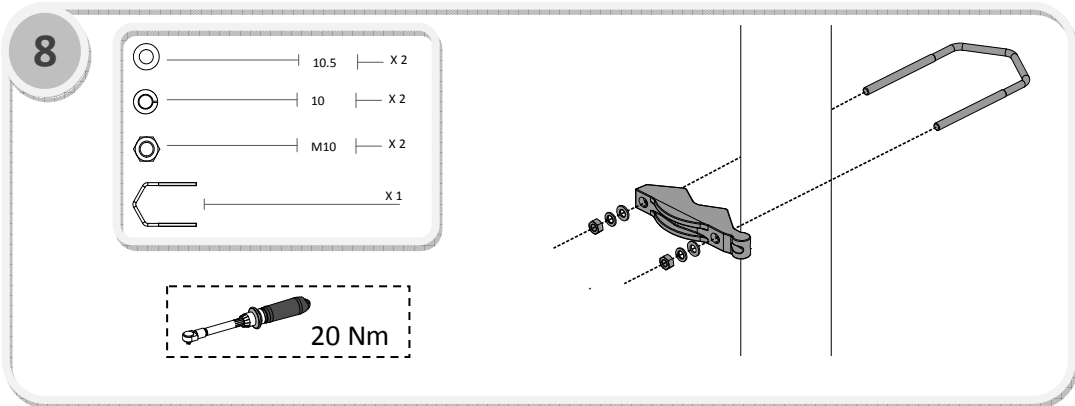
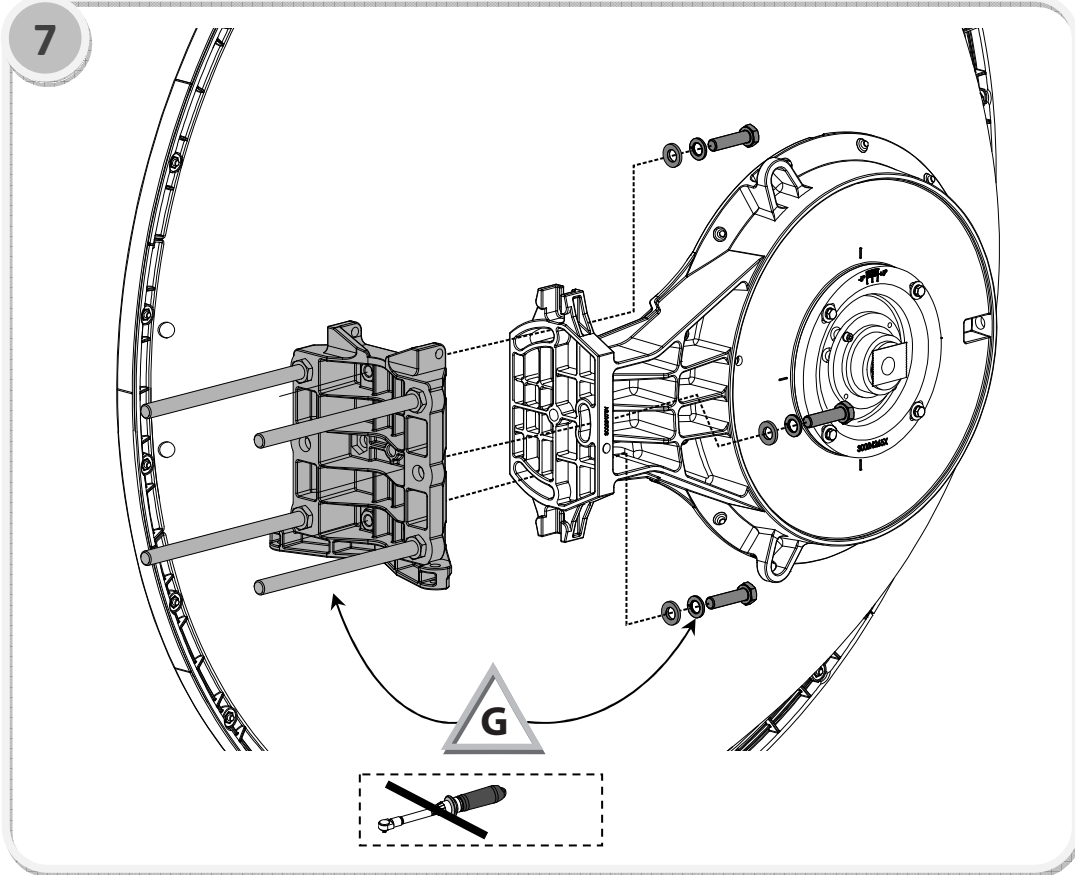


Offset right



SC3/SCX3 antenna

Installation instruction



SC3/SCX3 antenna

Installation instruction

11

	X 1
	M8x25 X 1
	M8 X 3
	8.4 X 1
	8.4 X 2
	A8 X 3

13

12

	X 1
	M8x130 X 1
	M8x20 X 1
	M8 X 2
	8.4 X 2
	8.4 X 1
	A8 X 1

1 mm gap

Offset left

Offset right

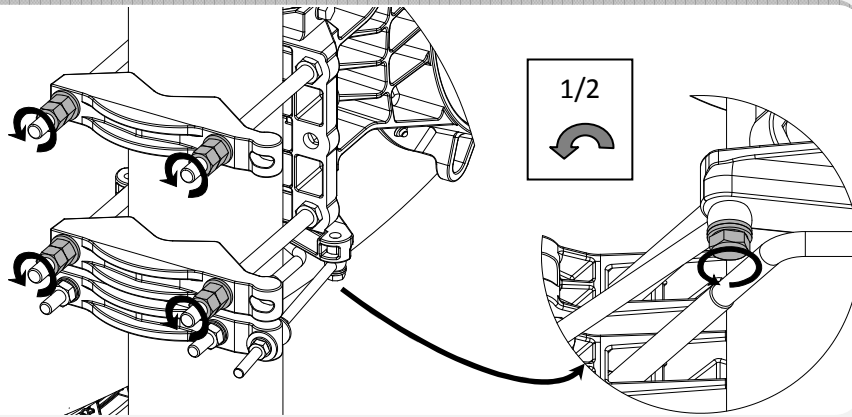
	X 1
	M10 X 8
	10.5 X 4

SC3/SCX3 antenna

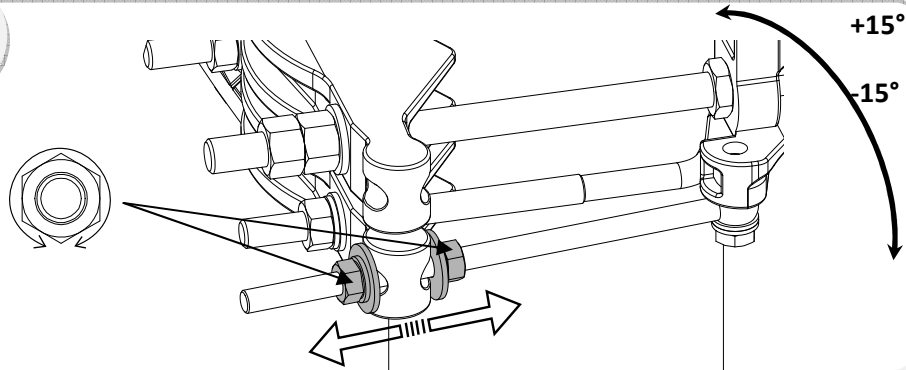
Installation instruction

Azimuth Adjustment

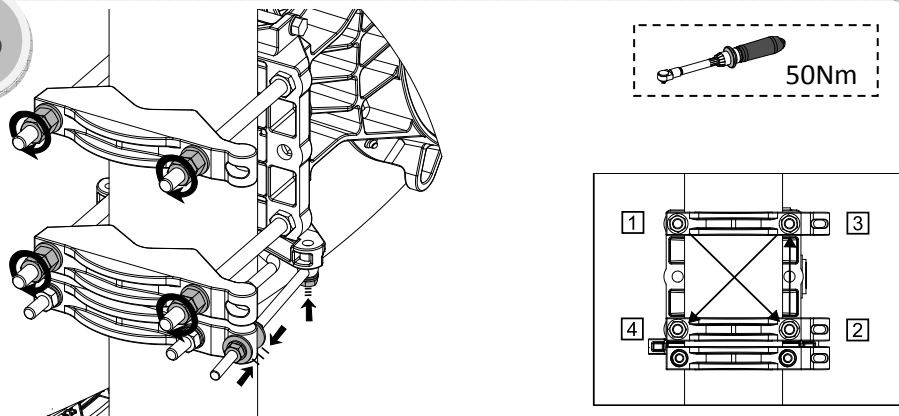
14



15

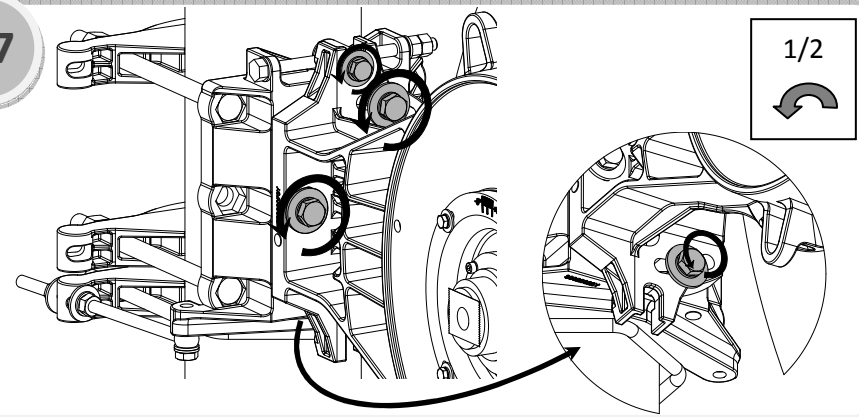


16

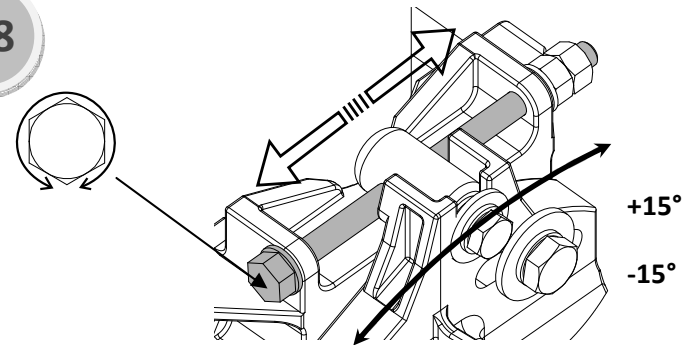


Elevation Adjustment

17



18



19

