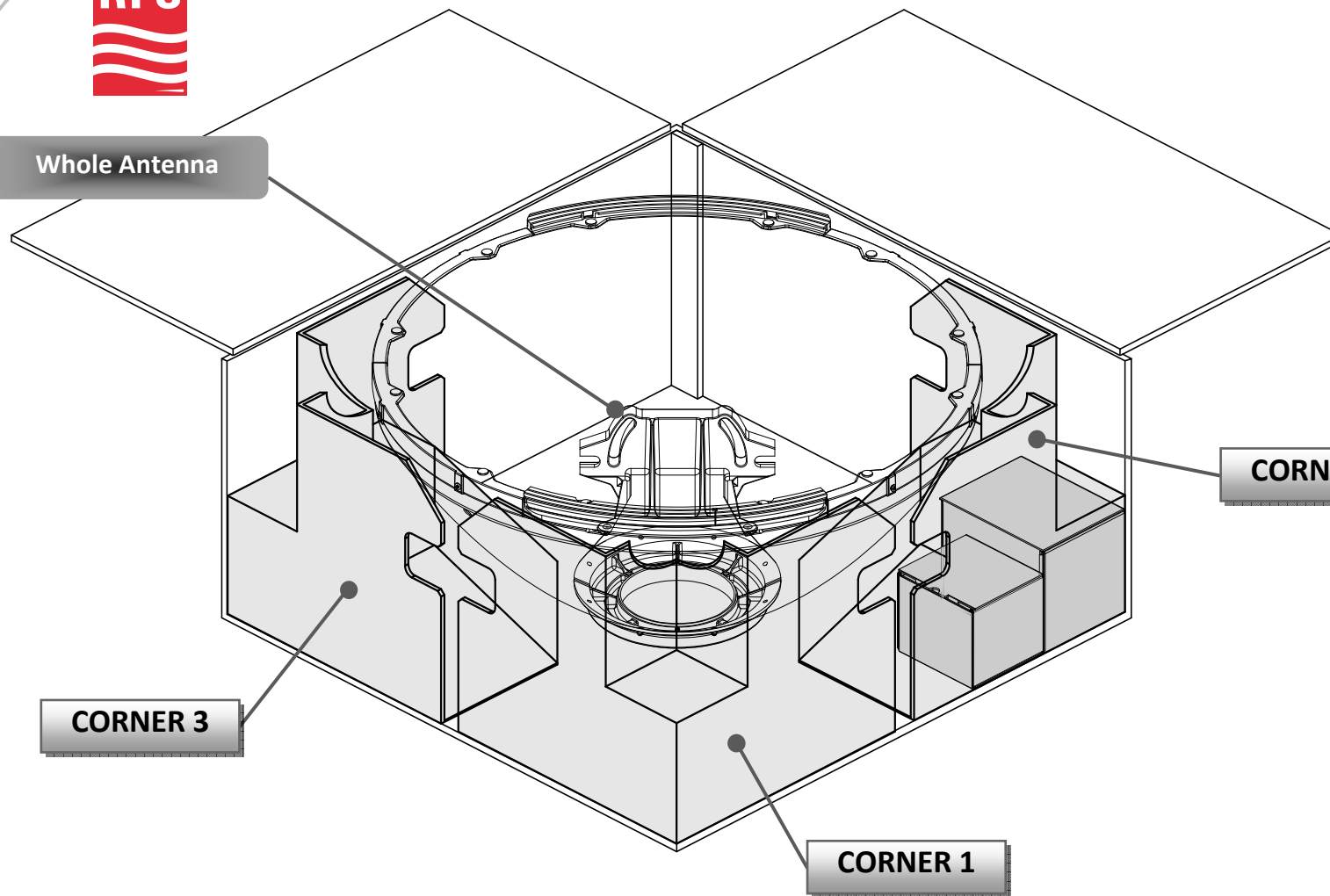


SC2/SCX2 Antenna

Installation instruction



Whole Antenna

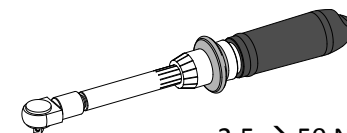


CORNER 3

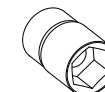
CORNER 1

CORNER 2

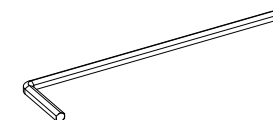
Required tools



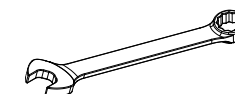
2.5 → 50 N.m



19-17-13-8



3-2,5



19-17-13-8



X1

Grease

It is important to mount the antenna exactly as described in this installation instruction.

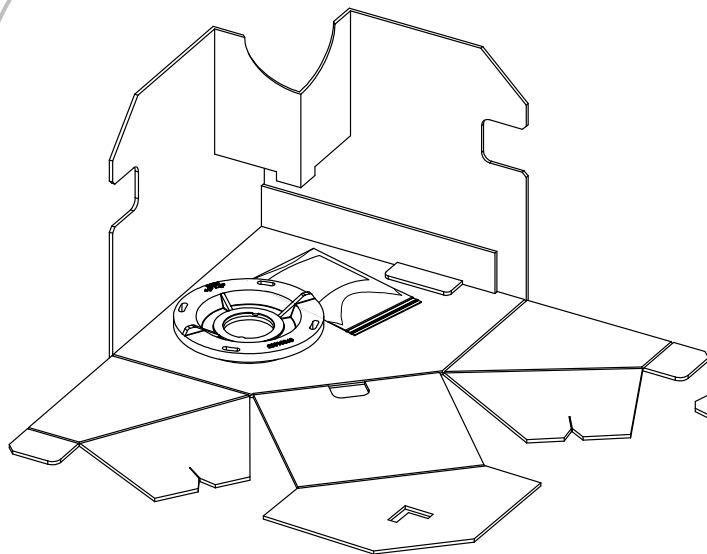
The installed antenna shall be inspected once per year by qualified personnel.

RFS disclaims any responsibility for the result of improper or unsafe installation.

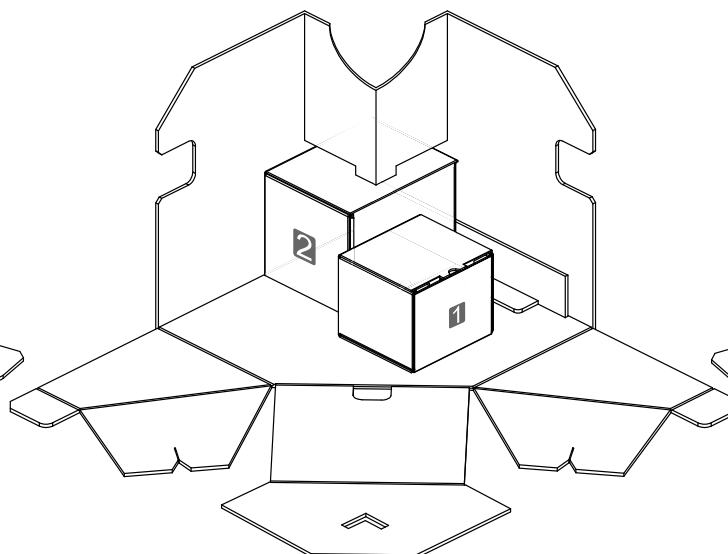
This installation instruction has been written for qualified, skilled personnel.

We reserve the right to alter details, especially with respect to technical improvement.

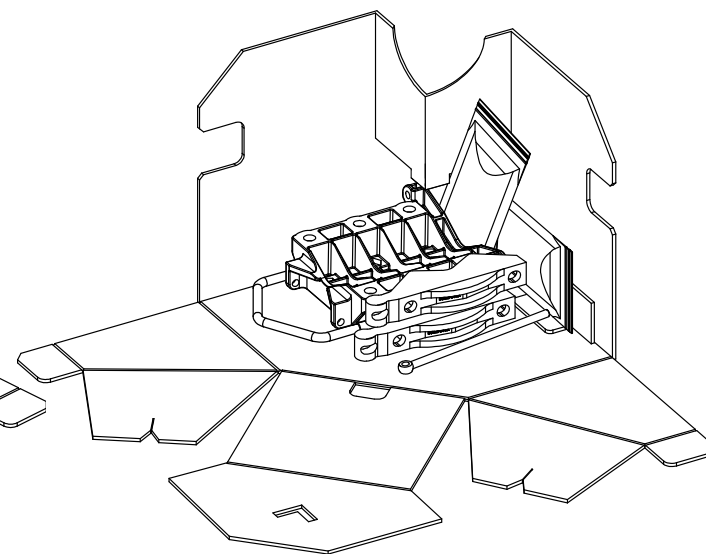
SC2/SCX2 antenna Installation instruction



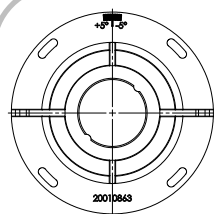
CORNER 1



CORNER 2



CORNER 3



Customer mounting ring | x1

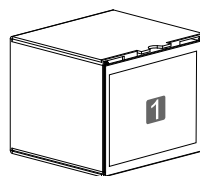
M5 x 22 | x4

M4 x 25 | x4

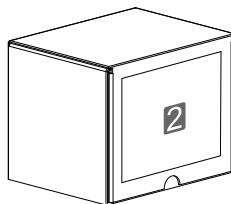
5 | x4

4 | x4

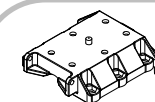
5.3 | x4



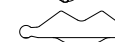
Custom Vertex plate | x1



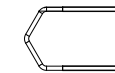
Basic Feed | x1



Console | x1



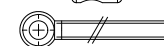
Clamp casting | x2



V-Bolt | x1



Finger drive | x1



Eye Bolt 8 x 180 | x1

12 x 170 | x2

12 | x2

13 | x2

8 x 130 | x1

12 | x4

10.5 | x2

10 x 40 | x3

10 | x7

8.4 | x3

8 x 25 | x1

8 | x5

8.4 | x3

8 x 20 | x1

10 | x5

8 | x4

SC2/SCX2 antenna Installation instruction

1

SC2 feed

The feed has to be inserted with precaution to avoid any shock and damage

2

12x170 | X 2
a | 12 | X 2

3 Before, choose the antenna's orientation (Left or Right)

10x40 | X 3
b | 10 | X 3
10 | X 3
10.5 | X 3

Offset left

Offset right

4

20 Nm

10 | X 4
10 | X 2
10.5 | X 2

5

10 Kg

Coincidence

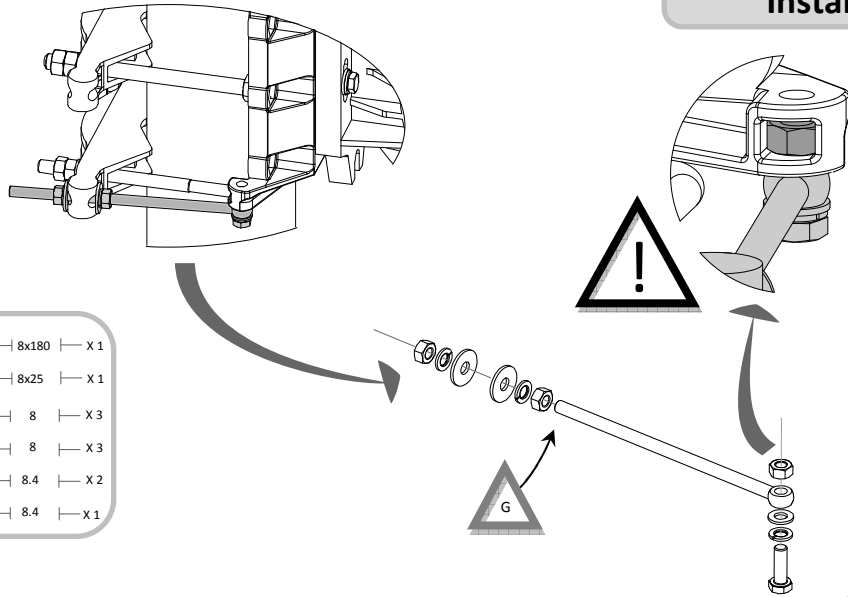
6

50 Nm

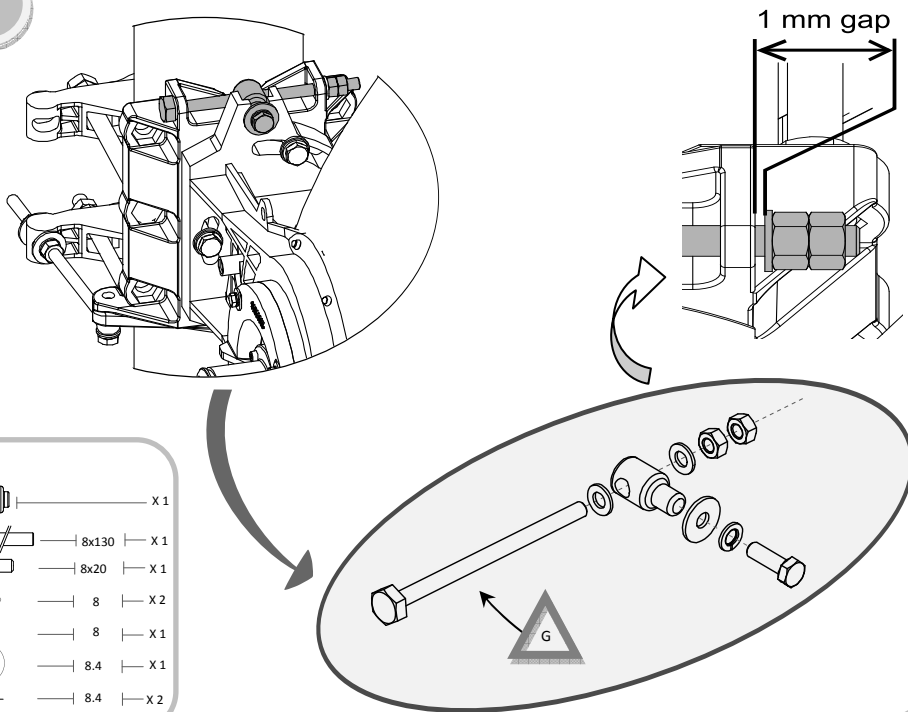
12 | X 4
13 | X 2

SC2/SCX2 antenna Installation instruction

7

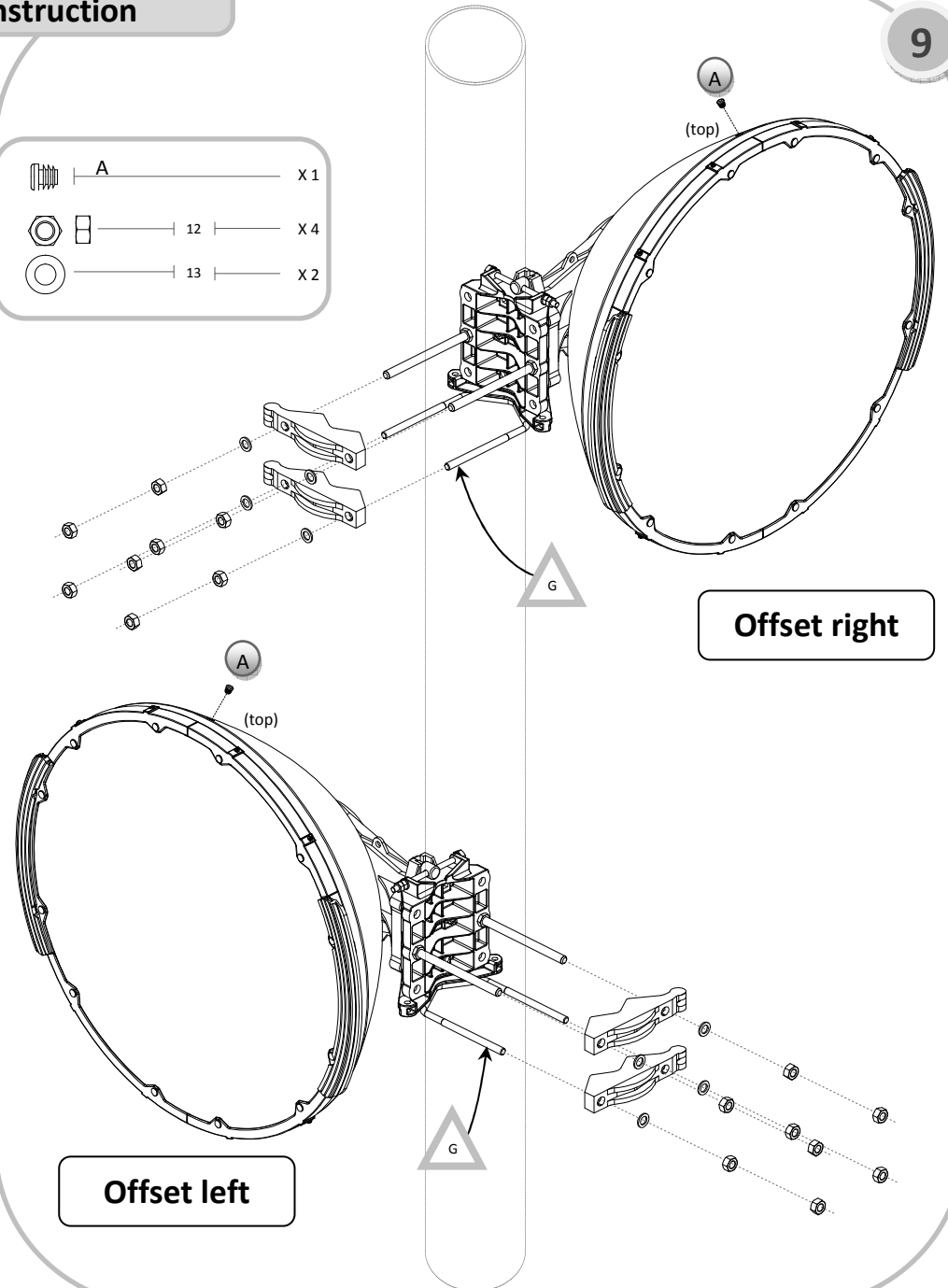


8



9

- A X1
- 12 X4
- 13 X2

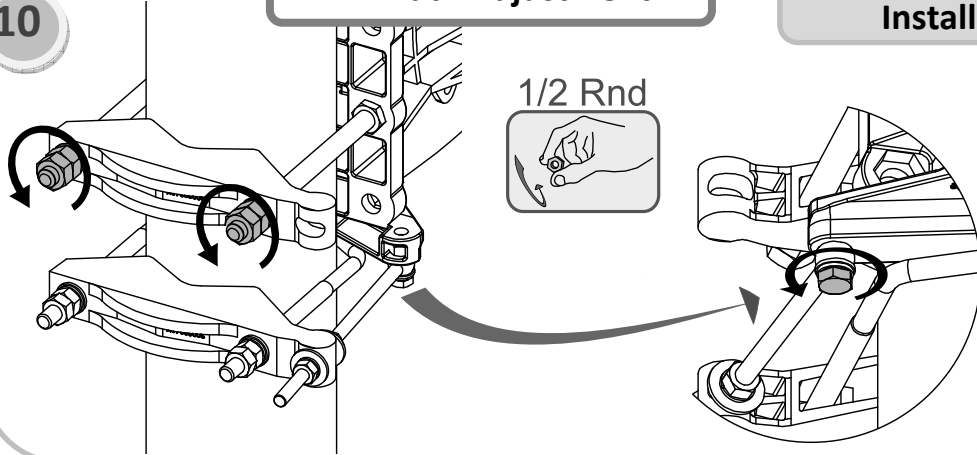


SC2/SCX2 antenna Installation instruction

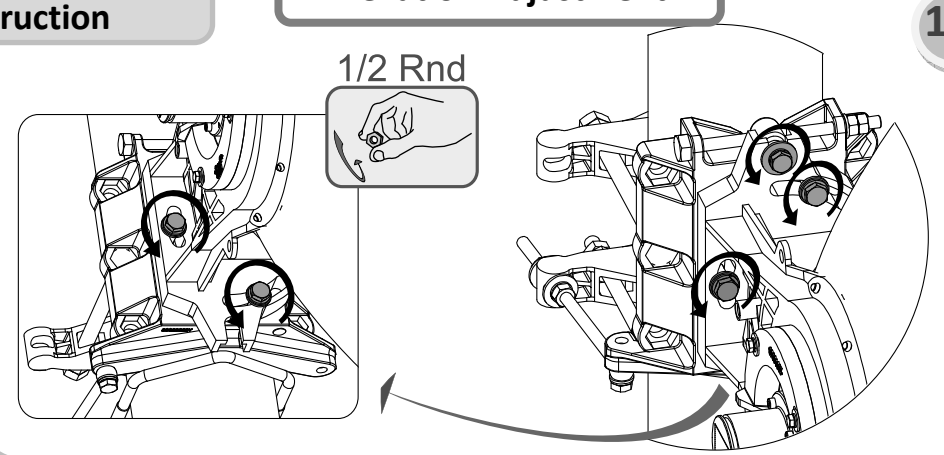
Azimuth Adjustment

Elevation Adjustment

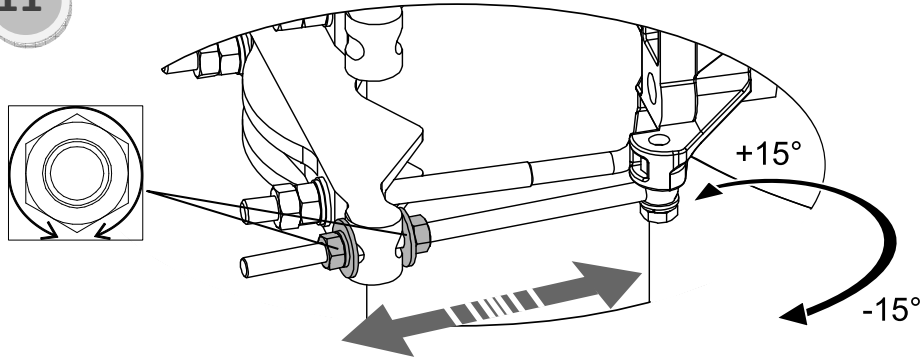
10



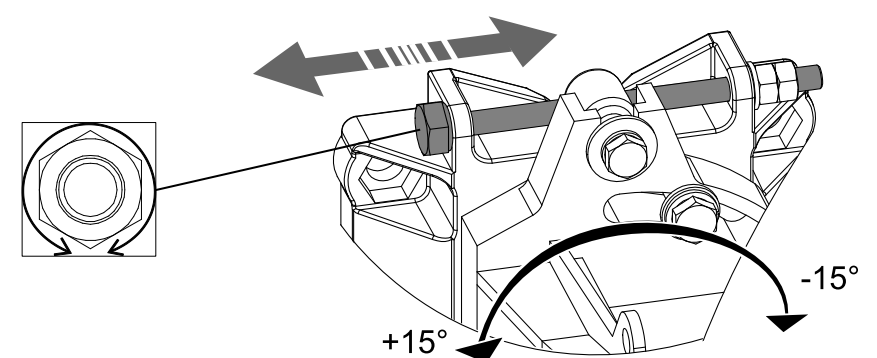
13



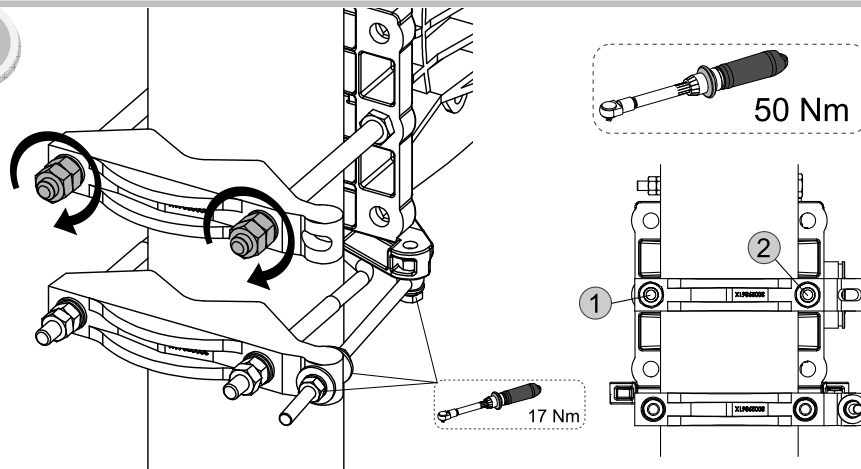
11



14



12



15

