

SINGLE DIPLEXER POLE MOUNT

1. Disconnect RF signals and DC power.
2. Slide the (2) stainless clamps through the long thin holes of the bracket (A).
3. Fix the clamps/bracket on the pole with 5.5 Nm (4.1 ft-lbs) torque using an Allen wrench.
4. For upright mounting (one connector upwards), place the bolt set (SEM2-1A kit) provided in the package, into the diplexer mounting hole (B). Leave the nut loose for the next step.
5. Slide the diplexer into the bracket (B).
6. Place the bottom bolt of the diplexer through the holes of both the bracket and the diplexer and tighten both top and bottom bolt sets with 8 Nm (5.9 ft-lbs) torque (B + D).
7. For upside down mounting (two connector upwards), repeat steps 4 to 6 using position D as the top bolt.
8. Connect the diplexer to the system using jumper cables. When attaching its 7/16 connector swivel to the diplexer connector, it is mandatory that the jumper cable meets the connector straight in line (H). Press the inner part of the jumper cable connector into the diplexer connector and maintain this pressure when turning the swivel. Hereby the swivel will fit the thread of the female connector correctly and it will run smoothly. Tighten the swivel using your hand.
9. Use a torque wrench to tighten the connector assembly with 25 Nm (18.4 ft-lbs) torque. See Figure 4 on the following page.
10. Grounding is already provided through mounting hardware. If deemed necessary, additional grounding might be obtained by attaching a grounding cable to the external grounding stud on the side of the unit. To do that, tighten the M6 socket screw and (2) washers with 8 Nm (5.9 ft-lbs) torque (B). RFS grounding cables (Model Numbers CA020-2, 2 meter, or CA020-3, 3 meter), or equivalent, may be used.
11. Adjust the length of the ground cable and attach it onto the pole's ground connection with 8 Nm (5.9 ft-lbs) torque.
12. Weatherproof the diplexer connections using RFS weatherproofing kits (Model Numbers CTAPE-1 or WPPFG-1) or an equivalent. Follow the instructions supplied with the kit to weatherproof the connectors.
13. Reconnect RF signals and DC power.

NOTE: Do NOT remove or paint over the breathable vent. See drawing on reverse side for the breathable vent location.

Recommended Mounting Positions:

- Upright
- Upside down
- Horizontal with the RFS label facing up



Recommended Tools:

- Allen Wrench 3/16"
- Standard Pliers

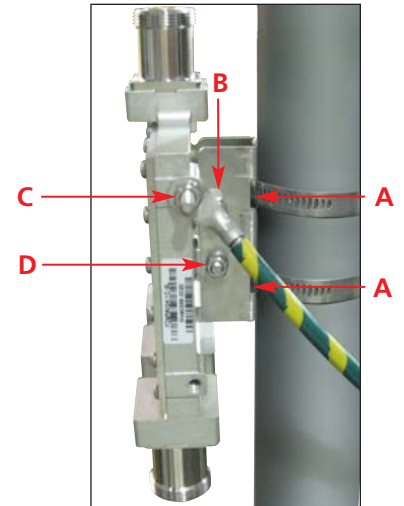


Figure 1

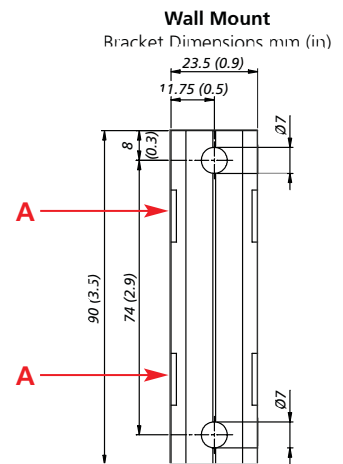


Figure 2

SINGLE DIPLEXER WALL MOUNT

1. Disconnect RF signals and DC power.
2. Attach the bracket on the wall by means of two screws. See Figure 2.
3. Follow steps 2 to 13 as described above.

DUAL DIPLEXER INSTRUCTIONS

1. Assemble the (2) diplexers together using the (2) distance plates (F) and the (6) bolt kits (G) provided (SEM2-3 kit) in the package. Use the (2) M6 grounding studs (E) attached to the single diplexer to complete the plate fixation on the diplexers. Tighten them with 8 Nm (5.9 ft-lbs) torque. See Figure 3.
2. Continue installation following the Pole or Wall Mounting instructions listed above.

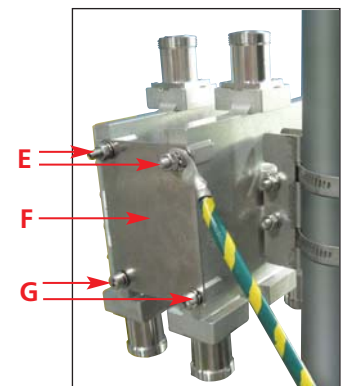


Figure 3

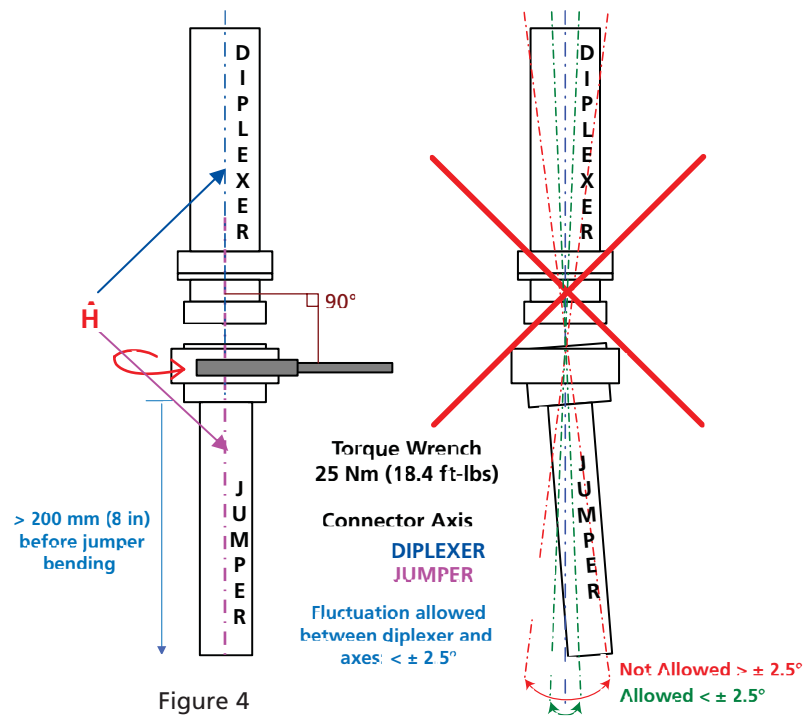
Recommended Installation Instructions **In-line Diplexer 698-960 MHz/1710-2200 MHz**

Wideband Diplexer **FD9R6004 Series**

JUMPER CONNECTION DETAIL

The torque wrench must be perpendicular to the diplexer connector flange and jumper cable connector swivel when tightening.

Note: No angular torque from the jumper cable is allowed at any time. Fluctuation between diplexer and jumper axes $< \pm 2.5^\circ$. See Figure 4.



DRAWINGS

