



SlimLine Antenna, Ultra High Performance, Dual Polarized, 6 ft

Product Description

(This product is obsolete. Replacement by SBX6 antenna
)

RFS SlimLine® Antennas are designed for microwave systems in all common frequency ranges from 6 GHz to 25 GHz. The antennas are cost-effective products for microwave point-to-point transmission links. The antennas utilise a conventional feed system and are available in Standard, High and Ultra High performance radiation characteristic. The High performance antennas are available in single polarised (SD) as well as in dual polarised versions (SDX). Antennas with High Performance radiation characteristics are required for use in networks where there is a high interference potential. Antennas are available in 4 ft (1.2m) to 6 ft (1.8m) diameters. All antennas include a flexible radome to minimise its impact on the antenna's electrical characteristics. The antennas are easy to install. A side strut is required for 6 ft-antennas.



Antenna

Features/Benefits

Technical Features

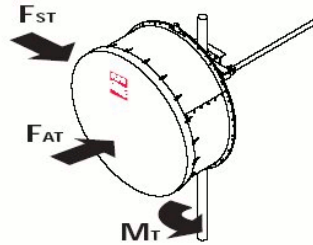
Product Type	Point to point antennas
Frequency, GHz	10.7 - 11.7
Diameter, ft (m)	6 (1.8)
Profile	SlimLine
Reflector	1-part
Swaybar	1: (2.0 m x Ø60 mm)
Performance	Ultra High
Polarization	Dual
Regulatory Compliance	ETSI EN 302217 Range 1, class 3 , FCC Category A
3dB beamwidth, (degrees)	1
Antenna Input	PBR 100
Low Band Gain, dBi	43.6
Mid Band Gain, dBi	43.9
High Band Gain, dBi	44.4
F/B Ratio, dB	70
XPD, dB	32
IPI, dB	35
Max VSWR / R L, dB	1.2 (20.8)
Elevation Adjustment, degrees	± 5
Azimuth Adjustment, degrees	± 5
Polarization Adjustment, degrees	± 5
Radome	flexible
Antenna color	White RAL 9010
Mounting Pipe Diameter minimum, mm (in)	114 (4.5)
Mounting Pipe Diameter maximum, mm (in)	114 (4.5)
Approximate Weight, kg (lb)	95 (209)
Survival Windspeed, km/h (mph)	200 (125)
Operational Windspeed, km/h (mph)	190 (118)
Further Accessories	SMA-WK-6A : Wind Kit SMA-SKO-UNIVERSAL-L : Universal sway bar fixation kit

All information contained in the present datasheet is subject to confirmation at time of ordering

SlimLine Antenna, Ultra High Performance, Dual Polarized, 6 ft

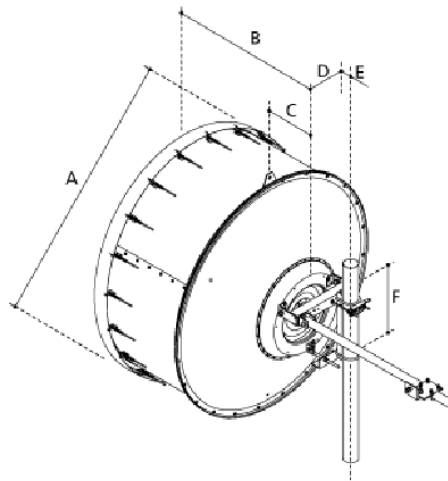
All values @ Survival Wind Speed

F_{ST} Side force max, N (lb)	3715 (832)
F_{AT} Fa Axial force max, N (lb)	7500 (1680)
M Torque max., Nm (lb*ft)	2835 (2100)



Dimensions mm (in)

ØA	2000 (79)
B	1242 (48.9)
C	364 (14.3)
D @ Mounting pipe Ø 219 (8.5):	not applicable
D @ Mounting pipe Ø 114 (4.5):	175 (6.9)
D @ Mounting pipe Ø 89 (3.5):	not applicable
D @ Mounting pipe Ø 48 (1.9):	not applicable
E	283 (11.1)
F	590 (23.2)
G	not applicable
H	not applicable



Notes

no notes

Documentation

- [Complete Antenna installation](#)
- [RPE \(IQ-Link format\)](#)
- [RPE \(Pathloss format\)](#)
- [RPE \(PDF format\)](#)

All information contained in the present datasheet is subject to confirmation at time of ordering