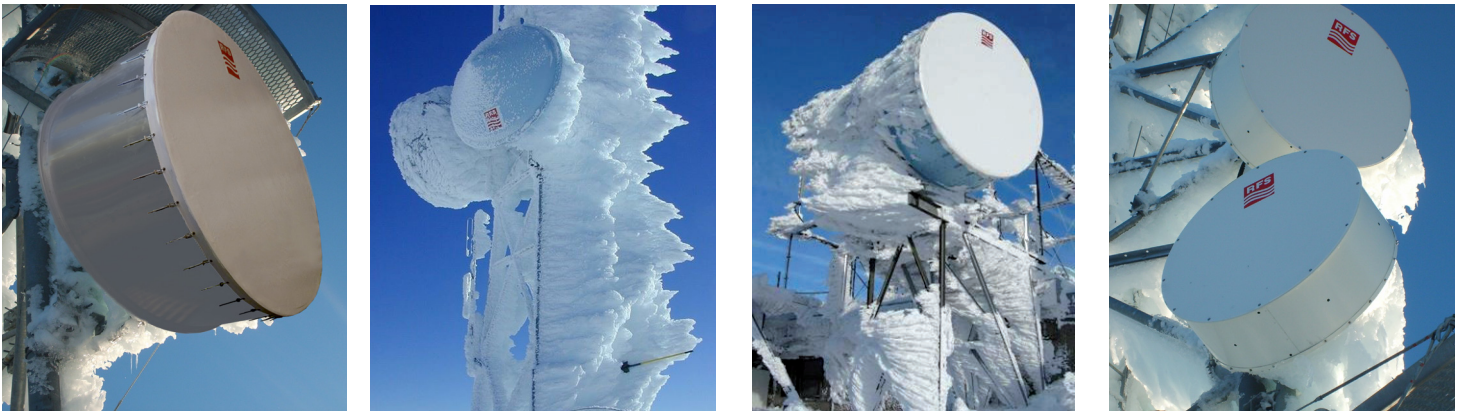




High Wind, High Ice Microwave Antennas

Featuring an **extreme radome** that's designed for the harshest conditions



Field-proven performance + extreme radome design = unbeatable resilience

Field-proven to withstand the harshest conditions

RFS' high wind, high ice antennas have been delivering proven performance on mountaintops and other locations in some of the harshest environments in North America for more than a decade. To further enhance their durability and resilience to wind and ice, an extreme radome has been incorporated into the design.

The extreme radome includes a number of design features that cannot be found on other radomes in the market. For example, an extremely tight radome fit all the way around the shroud, a generous overhang and many robust connection points eliminate the flapping and tearing issues that can occur with continuous exposure to high winds. Reinforced radome material, including an additional layer with a protective coating, further increases durability and resilience to snow and ice.

Designed and tested to meet stringent standards

All antenna designs have been structurally analyzed to ensure they meet the requirements for ANSI/TIA-222-H Risk Category II structures and are proven to withstand the following wind and ice combinations:

- 155 mph winds and 1 inch of ice
- 140 mph winds and 2 inches of ice

The antennas also include a unique spun backing design and strategically positioned sway bars to ensure antenna and link stability as conditions worsen.

RFS' rugged design ensures longevity and peace of mind - reduces additional costs and time due to unnecessary tower climbs

Exclusive Features and Benefits

Designed for high wind and ice conditions

- **Tested to ANSI/TIA-222-H Risk Category II standards**
Guarantees extremely robust mechanical construction
- **Extreme radome design**
Eliminates flapping and tearing, increases durability
- **Spun backing and strategically positioned sway bars**
Increases antenna and link stability in harsh conditions
- **Field-upgradeable from single to dual polarization**
Simplifies network evolution

High wind, high ice antennas for any requirements

- 6, 8, 10 and 12 ft sizes
- A wide range of frequency bands, including the commonly used 6 GHz and 11 GHz frequency bands
- Single and dual polarized models with the ability to upgrade from single to dual polarization in the field
- Standard white or optional gray radome color



High Wind / High Ice Extreme Radome Models – Common Frequencies in North America

Frequency Band	Sizes (ft)	Ultra-High Performance Dual Polarization*	Super-High Performance Dual Polarization*	Swaybar Quantity
6 GHz	6	UXA6-U57ACSQ1E	ULX6-W60ACSQ1E	3
	8	UXA8-U57ACSQ1E	Under Development	4
	10	UXA10-U57ACSQ1E	Under Development	4
	12	UXA12-U57ACSQ1E	Under Development	4
11 GHz	6	UXA6-107ACSQ1E	ULX6-W100ACSQ1E	3
	8	UXA8-107ACSQ1E	Under Development	4
	10	UXA10-107ACSQ1E	Under Development	4
	12	UXA12-107ACSQ1E	Under Development	4

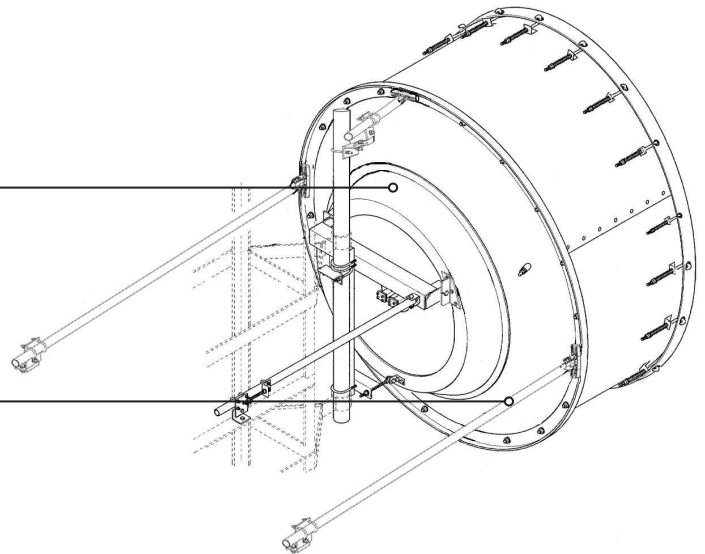
Frequency Band	Sizes (ft)	Dual Band Dual Pol* Ultra-High Performance	Swaybar Quantity
6/11 GHz	6	DBUX6-W60W103ACCSQ1E	3
	8	DBUX8-W60W103ACCSQ1E	4
	10	DBUX10-W60W103ACCSQ1E	4
	12	DBUX12-W60W103ACCSQ1E	4

*To order a gray (RAL7000) radome, change Q1E to QGE in all of the above | Contact RFS for additional radome options.

Typical 12 ft High Wind / High Ice Schematic

Advanced Backring & Mounting System
Increased Structural Strength

Additional Strategically Located Sway Bars
Greater Ice & Wind Loading Capability



High Wind / High Ice Model Name Structure**

Antenna Type	Antenna Size	Antenna Frequency	RFS Revision	Flange Options	Mechanical Option	Environment Option	Color Options	Radome Option
UXA	12	U57	A	C	S	Q	1	E
UXA			12	U57		1	E	
STYLE AND POLARIZATION			DIAMETER		FREQUENCY BAND		COLOR	RADOME
UL	Single Pol Super High Performance		6	Six Foot	U57	5.725 – 7.125GHz	1	White
ULX	Dual Pol Super High Performance		8	Eight Foot	W60	5.925 – 7.125GHz	G	Gray (RAL7000)
UXA	Single Pol Ultra High Performance		10	Ten Foot	W100	10.0 – 11.7GHz		
DBUX	Dual Band Dual Pol Ultra High Performance		12	Twelve Foot	W103	10.3 – 11.7GHz		
					107	10.7 – 11.7GHz		
								E Extreme Radome

**Most common options are shown; additional options are available, contact sales for details