

**Installation and Tilt Adjustment Steps:**

1. On left, install preview at 0 degree tilt
2. On right, install preview with different angles: Loosen Bolt-1,2,3. However, keep Bolt-2,3 in place. Select desired tilt and reinsert Bolt-1 and fasten all Bolts.

**Mounting Kit Hardware :**

Item No.	Description	Amount
1	Tilt indicator	2
2	Bracket-1	1
3	Bracket-2	2
4	M10×115 Bolt Hex	4
5	M10 Nut Hex	14
6	φ 10 Washer Flat	10
7	φ 10 Washer Spring	10
8	M10×30 Bolt Hex	6
9	φ 14 Washer Flat	6
10	Bracket-3	1

**Tightening Nut Hex Torque Values**

Dia	Tension	Torque
M8	16-22N.m	13mm
M10	32-40N.m	17mm

**Tightening Connector Torque Values**

Connector Type	Tension
7-16 DIN	25-30N.m

**Maintenance**

Under normal circumstances, no maintenance is required. However, antenna should be inspected periodically. Periodic checks should be performed to verify correct nut and connector's tension, bracket clearance settings, and check cable connections.

**Mounting Hardware**

**3GS-B**



**RFS Base Station Antenna**

Mounting kit type



**Applications**

3GS-B is a mounting hardware kit specifically designed for the RFS APXVR13S base station antenna.

**Features**

Features Include;

- Installing a mount assembly on the upper and lower brackets enables mechanical tilting
- All kits fully upgradable for higher mobility
- Pipe diameter: 50-115mm
- Mechanical down tilt adjustable, variable by model type

**Mechanical Specifications**

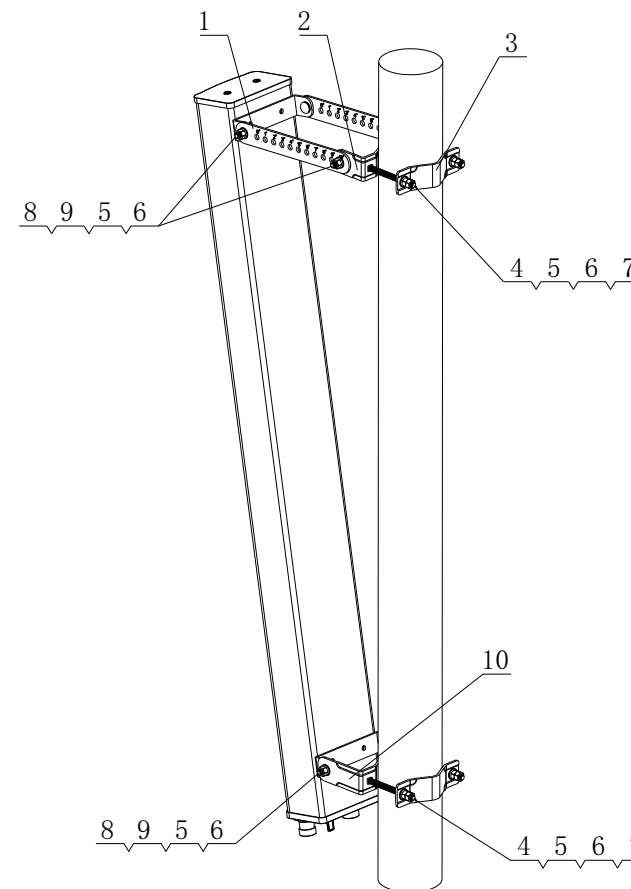
Weight of Kit (kg)	2.5
Mounting kit material	Q235
Packaging material	Paper Box
Tools Required	Wrench and Spanner

Please contact technical specialist division for additional information.

Mounting kit type



**Assembly and Installation**



**Figure: Pipe Mount installation**

In regards to the pipe mount, position 2 brackets face-to-face along the desired position on the pipe and use the bolts and nuts to fix in place.

Spec information subject to change anytime without notice

The Clear Choice ®

Document Reference: 48116-40097AZ

Version 1.0