



Radio Frequency Systems

A photograph of a technician wearing a yellow helmet and dark clothing, working on a complex metal structure, likely a radio tower or antenna array. The technician is positioned in the lower right of the frame, looking towards the left. The structure consists of numerous metal beams and cables, creating a dense, geometric pattern. The background is slightly blurred, showing some greenery and a clear sky.

APM50-3 MOUNTING KIT INSTALLATION INSTRUCTIONS

REV. 1 | 2021.03



Mounting Instructions for APM50-3 Kit

SUMMARY

Applications.....	3
Mechanical Specifications	3
Features	3
Assembly and Installation	3
Installation and Tilt Adjustment Steps	5
Maintenance	5

Mounting Instructions for APM50-3 Kit

APPLICATIONS

The APM50 kits are mounting hardware options to be used for Base Station antennas.

MECHANICAL SPECIFICATIONS

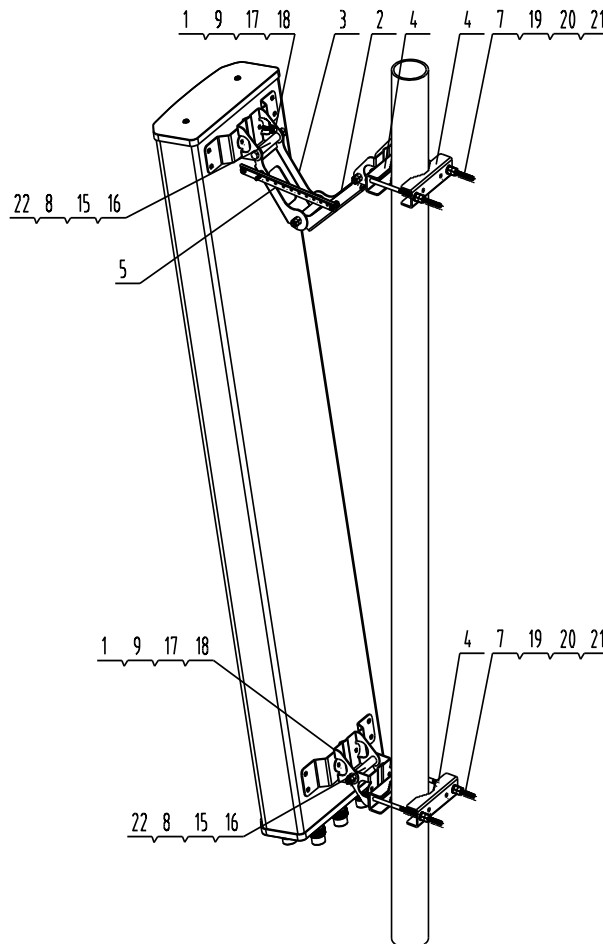
- Weight of Kit (kg): 4.3
- Mounting kit material: Q235 Galvanized Steel
- Packaging material: EPS
- Dynamometric Tools Required: Wrench and Spanner

FEATURES

- The upper and lower brackets enable to adjust the mechanical tilt.
- All kits fully upgradable
- Pipe diameter: 50-115mm
- The adjustable tilt range depends on the different antenna models



ASSEMBLY AND INSTALLATION

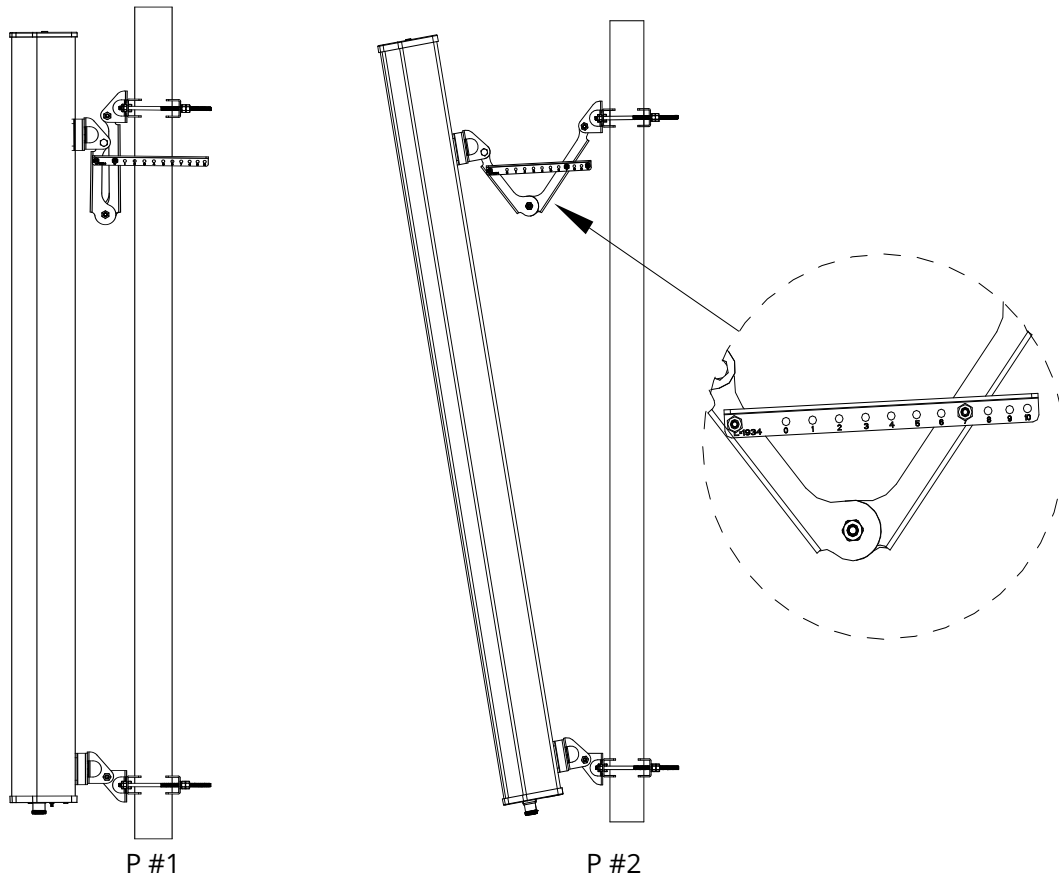




Mounting Instructions for APM50-3 Kit

Number	Names	Quantity
1	Bracket	4
2	Antenna Pivot Arm 1	1
3	Antenna Pivot Arm 2	1
4	Mount Clamp	4
5	Calibration Tablets	1
6	M8*20 Bolt	8
7	M12*180 Bolt	4
8	M10*110 Bolt	4
9	M6*30 Bolt	2
10	M6 Hex Nut	6
11	M10 Hex Nut	4
12	Ø10 Spring Washer	4
13	Ø10 Flat Washer	4
14	M8 Hex Nut	8
15	Ø8 Flat Washer	8
16	Ø8 Spring Washer	8
17	Ø6 Flat Washer	2
18	Ø6 Spring Washer	2
19	M12 Hex Nut	8
20	Ø12 Spring Washer	4
21	Ø12 Flat Washer	4
22	Aluminum Tube Ø16*75.5	4

Mounting Instructions for APM50-3 Kit



Installation and Tilt Adjustment Steps

1. To fix the antenna on the pole, refer to P #1.
2. To adjust the mechanical tilt as requirements, refer to P #2.
3. To tighten all the fasteners (see below).

TIGHTENING NUT HEX TORQUE VALUES

Diameter	Torque	Wrench Type
M6	10 Nm	10mm
M8	20 Nm	13mm
M10	35 Nm	17mm
M12	60 Nm	19mm

TIGHTENING CONNECTOR TORQUE VALUES

Connector Type	Torque
7-16 DIN	25 Nm

MAINTENANCE

Under normal conditions, no maintenance is necessary. However, the antenna should be visually inspected at regular intervals for damage (e.g. due to lightning strikes, and falling ice). Periodic checks should be performed to verify correct torque and bracket clearance settings. Accessories provided exclusively by RFS.

About RFS

Radio Frequency Systems (RFS) delivers the end-to-end RF solutions and expert services needed to evolve wireless and broadcast networks today and tomorrow. Our cables, connectors, antenna systems and RF conditioning products are based on more than 120 years of experience delivering cutting-edge RF solutions and industry firsts. As a result, our solutions are recognized globally for their innovation, superior performance and unmatched quality.

As an ISO-compliant company with global operations, we bring our customers world-class engineering and manufacturing skills backed with comprehensive local support services. Our customers know they can rely on our expertise and commitment to excellence from initial design to final delivery and beyond — whether they're looking to support 5G, deploy small cells, empower smart cities or improve indoor coverage in the most challenging locations.

Australia

Kilsyth
+61 3 9751 8400
Technical Support
Technical.Support@rfsworld.com

Latin America

Sao Paulo
Technical Support
MTS.Latam@rfsworld.com

China

Shanghai
+86 21 3773 8888
Technical Support
Technical.Support@rfsworld.com

France, Italy, Spain

Paris, Vimercate, Madrid
Technical Support
Product.Support@rfsworld.com

Germany

Hannover
+49 511 676 55 – 0
Technical Support
Product.Support@rfsworld.com

India

Gurgaon
+91-124-4092788
Technical Support
Technical.Support@rfsworld.com

North America

Meriden, CT
+1.800.321.4700
Technical Support
ApplicationsEngineering@
rfsworld.com

Mexico

Tlalnepantla de Baz
+52 55 2881-1100
Technical Support
MTS.Latam@rfsworld.com

Russia

Moscow
Technical Support
Product.Support@rfsworld.com

UAE

Dubai
+971 4 568 7979
Technical Support
Product.Support@rfsworld.com

United Kingdom

Haddenham
+44 1844 294900
Technical Support
Product.Support@rfsworld.com