



# Radio Frequency Systems



**APM50-5 MOUNTING KIT  
INSTALLATION INSTRUCTIONS**

REV. 1 | 2021.03



## **Mounting Instructions for APM50-5 Kit**

---

### **SUMMARY**

Applications.....	3
Mechanical Specifications .....	3
Features .....	3
Assembly and Installation .....	3
Installation and Tilt Adjustment Steps .....	4
Maintenance .....	4

## Mounting Instructions for APM50-5 Kit

### APPLICATIONS

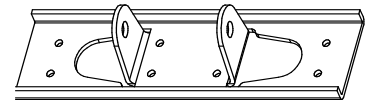
The APM50 kits are mounting hardware options to be used for Base Station antennas.

### MECHANICAL SPECIFICATIONS

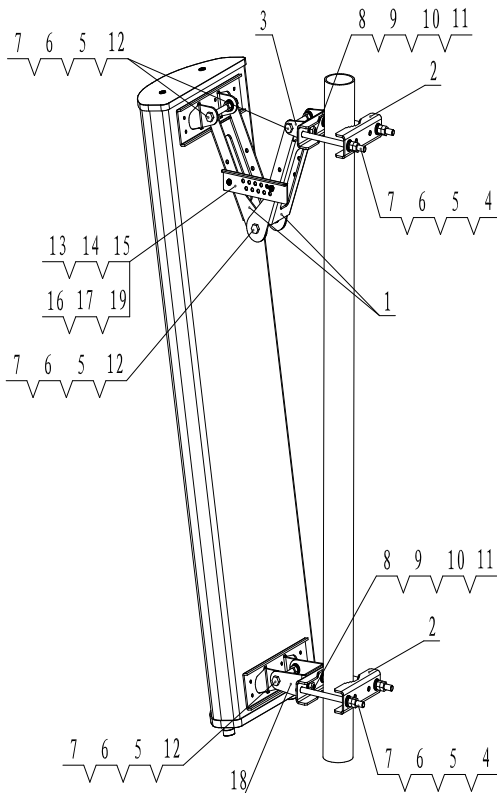
- Weight of Kit (kg): 7
- Mounting kit material: Q235 Galvanized Steel
- Packaging material: Carton Box
- Dynamometric Tools Required: Wrench and Spanner

### FEATURES

- The upper and lower brackets enable to adjust the mechanical tilt.
- All kits fully upgradable
- Pipe diameter: 50-115mm
- The adjustable tilt range depends on the different antenna models

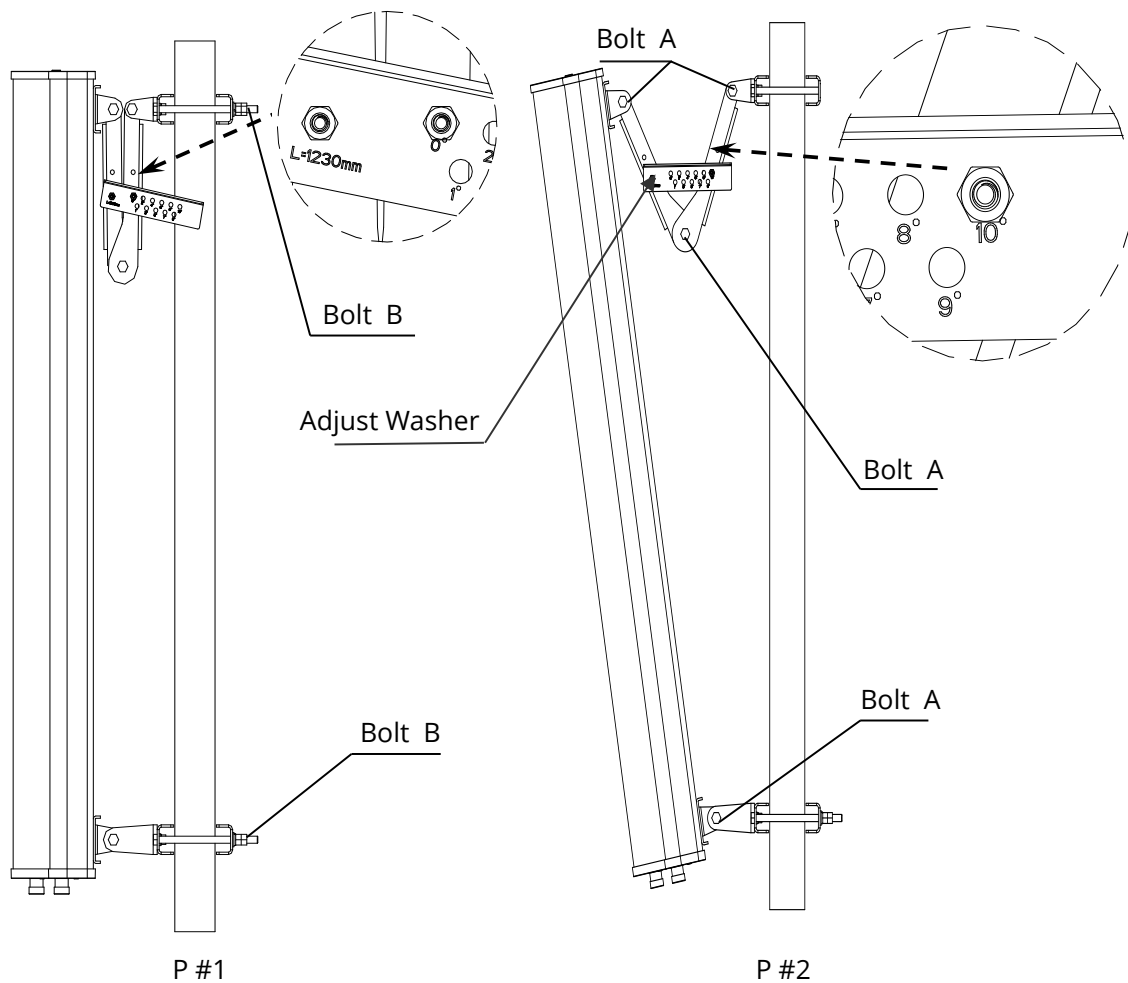


### ASSEMBLY AND INSTALLATION



Number	Names	Quantity
1	Antenna Pivot Arm	2
2	Sawtooth Mount Clamp	4
3	U Shape Washer (Upper)	1
4	M12*180 Bolt	4
5	M12 Nut	20
6	Ø12 Flat Washer	16
7	Ø12 Spring Washer	16
8	M10*25 Bolt	4
9	M10 Nut	4
10	Ø10 Flat Washer	4
11	Ø10 Spring Washer	4
12	M12*130 Bolt	4
13	M8*35 Bolt	2
14	M8 Nut	4
15	Ø8 Flat Washer	2
16	Ø8 Spring Washer	2
17	Ø8 Flat Washer Media	2
18	U Shape Washer (Lower)	1
19	Angle Adjust Washer	1

## Mounting Instructions for APM50-5 Kit



### Installation and Tilt Adjustment Steps

1. To fix the antenna on the pole, refer to P #1.
2. To adjust the mechanical tilt as requirements, refer to P #2.
3. To tighten all the fasteners (see below).

#### TIGHTENING NUT HEX TORQUE VALUES

Diameter	Torque	Wrench Type
M8	20 Nm	13mm
M10	35 Nm	17mm
M12	60 Nm	19mm

#### TIGHTENING CONNECTOR TORQUE VALUES

Connector Type	Torque
7-16 DIN	25 Nm

### MAINTENANCE

Under normal conditions, no maintenance is necessary. However, the antenna should be visually inspected at regular intervals for damage (e.g. due to lightning strikes, and falling ice). Periodic checks should be performed to verify correct torque and bracket clearance settings. Accessories provided exclusively by RFS.

---

## About RFS

Radio Frequency Systems (RFS) delivers the end-to-end RF solutions and expert services needed to evolve wireless and broadcast networks today and tomorrow. Our cables, connectors, antenna systems and RF conditioning products are based on more than 120 years of experience delivering cutting-edge RF solutions and industry firsts. As a result, our solutions are recognized globally for their innovation, superior performance and unmatched quality.

As an ISO-compliant company with global operations, we bring our customers world-class engineering and manufacturing skills backed with comprehensive local support services. Our customers know they can rely on our expertise and commitment to excellence from initial design to final delivery and beyond — whether they're looking to support 5G, deploy small cells, empower smart cities or improve indoor coverage in the most challenging locations.

### Australia

Kilsyth  
+61 3 9751 8400  
*Technical Support*  
Technical.Support@rfsworld.com

### Latin America

Sao Paulo  
*Technical Support*  
MTS.Latam@rfsworld.com

### China

Shanghai  
+86 21 3773 8888  
*Technical Support*  
Technical.Support@rfsworld.com

### France, Italy, Spain

Paris, Vimercate, Madrid  
*Technical Support*  
Product.Support@rfsworld.com

### Germany

Hannover  
+49 511 676 55 - 0  
*Technical Support*  
Product.Support@rfsworld.com

### India

Gurgaon  
+91-124-4092788  
*Technical Support*  
Technical.Support@rfsworld.com

### North America

Meriden, CT  
+1.800.321.4700  
*Technical Support*  
ApplicationsEngineering@  
rfsworld.com

### Mexico

Tlalnepantla de Baz  
+52 55 2881-1100  
*Technical Support*  
MTS.Latam@rfsworld.com

### Russia

Moscow  
*Technical Support*  
Product.Support@rfsworld.com

### UAE

Dubai  
+971 4 568 7979  
*Technical Support*  
Product.Support@rfsworld.com

### United Kingdom

Haddenham  
+44 1844 294900  
*Technical Support*  
Product.Support@rfsworld.com