



Radio Frequency Systems



APM50-Y1 MOUNTING KIT INSTALLATION INSTRUCTIONS

REV. 1.0 | 2021.04



Mounting Instructions for APM50-Y1 Kit

SUMMARY

| | |
|---|---|
| 1. Applications..... | 3 |
| 2. Mechanical Specifications | 3 |
| 3. Assembly and Installation | 3 |
| Installation Preparation..... | 3 |
| Installation Tools..... | 3 |
| Installation Instructions..... | 4 |
| ◆ Count the numbers of the fixtures | 4 |
| ◆ Fixture mounted on antenna..... | 5 |
| ◆ Feeder installation..... | 6 |
| 4. Material list..... | 7 |

Mounting Instructions for APM50-Y1 Kit

1. APPLICATIONS

The APM50 kits are mounting hardware options to be used for Base Station antennas.

2. MECHANICAL SPECIFICATIONS

- Pole Diameter: 50-115 mm, prefer 80mm
- Material: Q235A
- Weight: 4.8 kg

3. ASSEMBLY AND INSTALLATION

Installation Preparation

1. Check each package against packing list.
2. Observe safe working at heights.
3. Ensure lightning protection is applied.
4. Annual maintenance is recommended to antenna system.

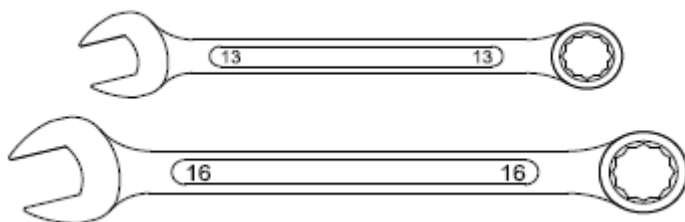
Installation Tools

TIGHTENING NUT TORQUE VALUES

| Nut | Wrench | Torque |
|-----|----------|---------|
| M8 | 13(14)mm | 18-22Nm |
| M10 | 16(17)mm | 32-40Nm |

TIGHTENING CONNECTOR TORQUE VALUES

| Connector | Wrench |
|-----------|---------|
| 4.3-10 | 5-8Nm |
| 7-16 | 18-22Nm |



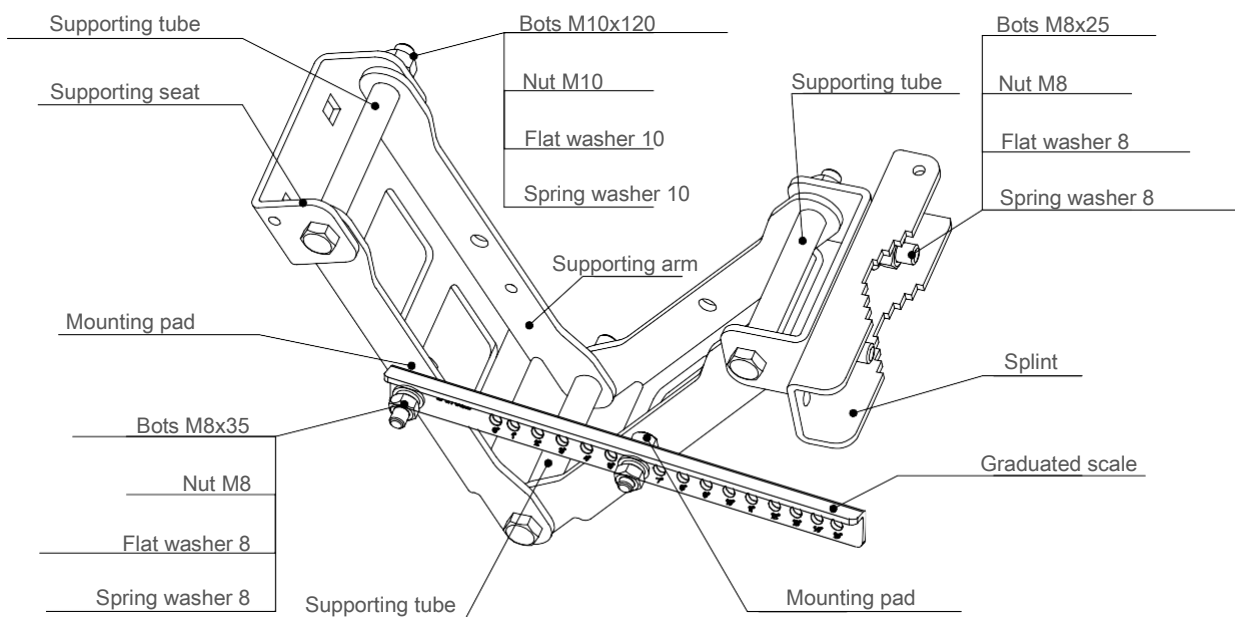
Mounting Instructions for APM50-Y1 Kit

Installation Instructions

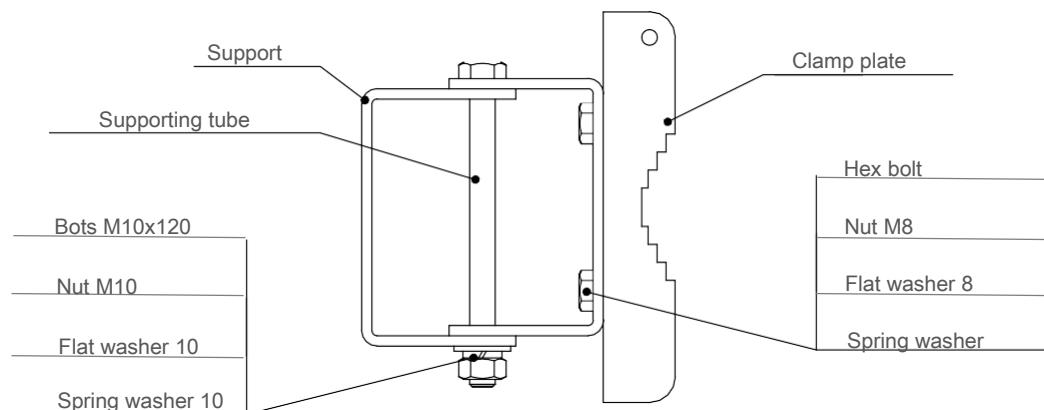
Fix the antenna to the pole according to the following sketch.

◆ Count the numbers of the fixtures

Upper fixing bracket



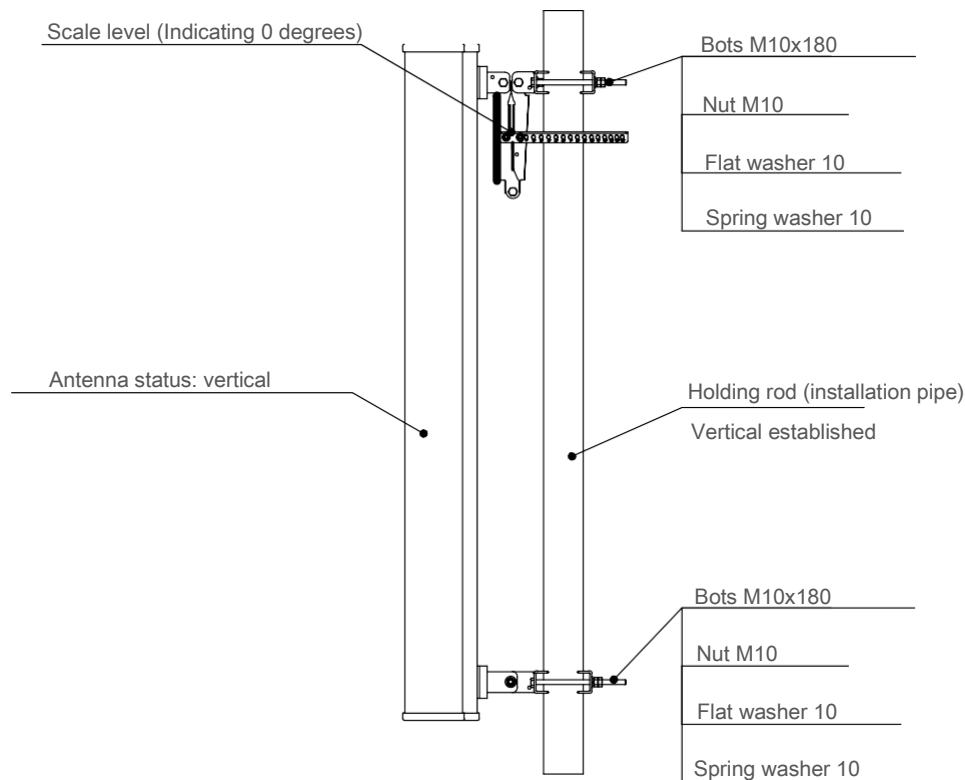
Lower clamp bracket



Mounting Instructions for APM50-Y1 Kit

◆ Fixture mounted on antenna

1. The fixture is fixed in place on the pole



Step 1

Attach the clamp to the antenna, and pay attention to the position of the upper and lower brackets.

Install the nut on the square neck bolt after assembly.

Step 2

Put the clamping device on the holding rod and tighten the bracket nut.

And keep the bracket nut for loose state.

Step 3

Close the fixture and make the antenna in a vertical position. The support is in water.

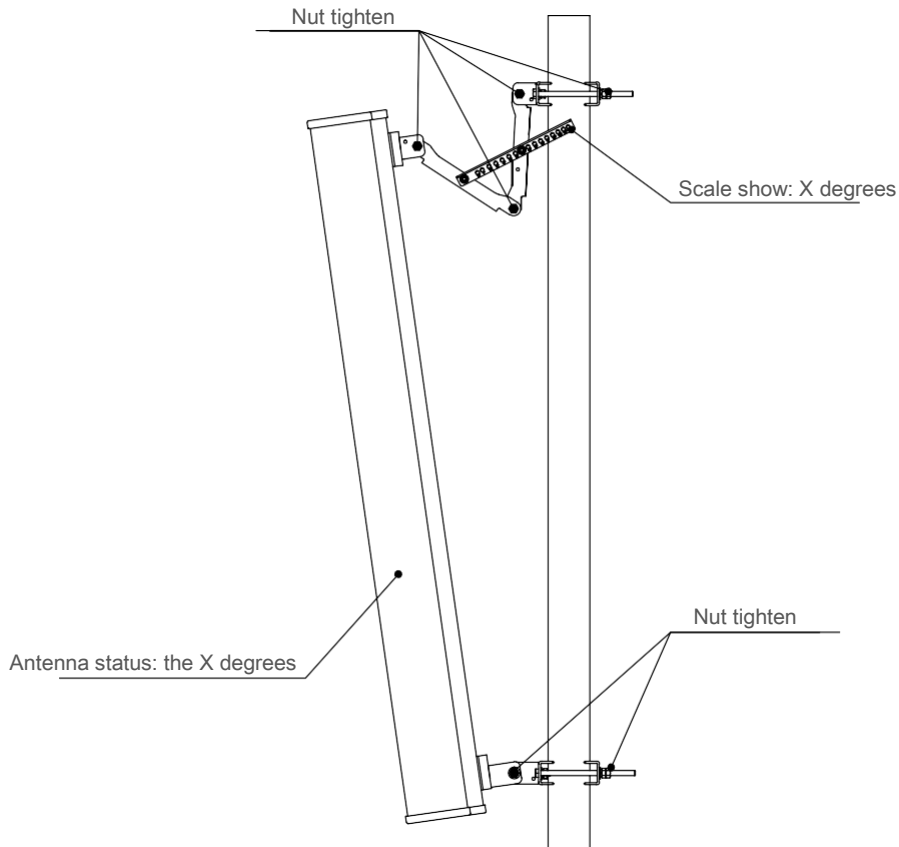
Flat state, and the scale is displayed as 0 degrees.

Step 4

Tighten the nut on the upper bracket.

Mounting Instructions for APM50-Y1 Kit

2. Adjust the mechanical inclination of the antenna



Step 1

Adjust the antenna to the desired mechanical Angle.

Step 2

Tighten all nuts.

◆ Feeder installation

Tools: Monkey spanner

Step 1

Fix feeder to antenna connectors, and twine the connections with waterproof tape.

Step 2

Fix feeder to the pole.



Mounting Instructions for APM50-Y1 Kit

4. MATERIAL LIST

| ITEM# | DESCRIPTION | QTY |
|-------|-----------------|-----|
| 1 | Supporting tube | 3 |
| 2 | Supporting seat | 4 |
| 3 | Mounting pad | 2 |
| 4 | Bolts M8x25 | 2 |
| 5 | Nut M8 | 10 |
| 6 | Flat washer 8 | 10 |
| 7 | Spring washer 8 | 10 |
| 8 | Bolts M10x120 | 4 |
| 9 | Nut M10 | 12 |
| 10 | Flat washer10 | 8 |
| 11 | Spring washer10 | 8 |
| 12 | Supporting arm | 2 |
| 13 | Bolt M8x25 | 8 |
| 14 | Splint | 4 |
| 15 | Graduated scale | 1 |
| 16 | Bolts M10*180 | 4 |

About RFS

Radio Frequency Systems (RFS) delivers the end-to-end RF solutions and expert services needed to evolve wireless and broadcast networks today and tomorrow. Our cables, connectors, antenna systems and RF conditioning products are based on more than 120 years of experience delivering cutting-edge RF solutions and industry firsts. As a result, our solutions are recognized globally for their innovation, superior performance and unmatched quality.

As an ISO-compliant company with global operations, we bring our customers world-class engineering and manufacturing skills backed with comprehensive local support services. Our customers know they can rely on our expertise and commitment to excellence from initial design to final delivery and beyond — whether they're looking to support 5G, deploy small cells, empower smart cities or improve indoor coverage in the most challenging locations.

Australia

Kilsyth
+61 3 9751 8400
Technical Support
Technical.Support@rfsworld.com

Latin America

Sao Paulo
Technical Support
MTS.Latam@rfsworld.com

China

Shanghai
+86 21 3773 8888
Technical Support
Technical.Support@rfsworld.com

France, Italy, Spain

Paris, Vimercate, Madrid
Technical Support
Product.Support@rfsworld.com

Germany

Hannover
+49 511 676 55 - 0
Technical Support
Product.Support@rfsworld.com

India

Gurgaon
+91-124-4092788
Technical Support
Technical.Support@rfsworld.com

North America

Meriden, CT
+1.800.321.4700
Technical Support
ApplicationsEngineering@
rfsworld.com

Mexico

Tlalnepantla de Baz
+52 55 2881-1100
Technical Support
MTS.Latam@rfsworld.com

Russia

Moscow
Technical Support
Product.Support@rfsworld.com

UAE

Dubai
+971 4 568 7979
Technical Support
Product.Support@rfsworld.com

United Kingdom

Haddenham
+44 1844 294900
Technical Support
Product.Support@rfsworld.com