

Band IV/V (UHF) Superturnstile Arrays 470-862MHz

Product Description

A new ultra-slim and lightweight superturnstile UHF broadcast antenna supports the entire US and European UHF bands (470 to 862 MHz). This antenna exhibits pattern circularity that competing, higher priced, point antennas struggle to achieve. The profile of our new superturnstile is less than that of competing UHF broadband antennas. This has resulted in a significant reduction in wind loading and weight, providing broadcasters with enormous flexibility when considering installation on existing loaded towers.

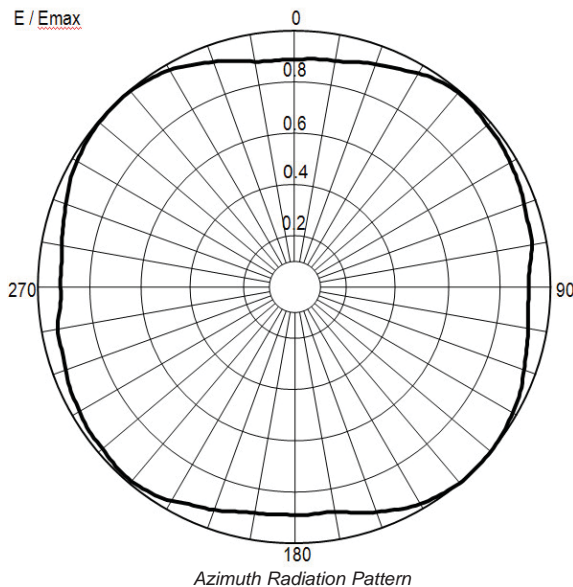
Features/Benefits

- Ideal low cost and wind load solution
- Ideal for many low, medium and high power broadcast applications
- Exhibits pattern ripple of better than ± 1.5 dB across the entire UHF band
- Low drag profile underpins the antenna's high wind speed rating and low wind load characteristics
- Uniquely cost-effective
- Single rod lightning protection, fully DC grounded
- Purpose designed mounting bracket is available on request



Specifications	STA2-LLP	STA4-LLP	STA6-LLP
Frequency Range, MHz		470-862	
Polarization		Horizontal	
Number of Channels		Multichannel	
Nominal Gain (Mid-band), dBd	4.6	7.5	8.9
Azimuth Radiation Pattern		Omnidirectional	
Return Loss, dB	>23	>23	>23
Input Connector	7-16 DIN female	7-16 DIN female	7-16 DIN female
Input power @ 665MHz, kW	0.9	1.3	1.3
Impedance, ohms		50 unbalanced	
Weight (approx), kg	25	36	48
Radome Diameter, mm	269	269	269
Dimensions (Height or Length, incl lightning rod), cm	130	235	334
Effective Area (front, side, rear - full antenna), sq m	0.22	0.38	0.54
Wind survival rating (max), km/h (mph)	240 (150)	240 (150)	225 (140)
Wind Load @ 50 m/sec (front, side), kN	0.33	0.58	0.83
Wind Load @ 44 m/sec (front, side), kN	0.27	0.46	0.65
Pressurization Operational, kPa (psi)	NA	NA	NA
Pressurization Test, kPa (psi)	NA	NA	NA
Radome colour	Light grey	Light grey	Light grey
Material - Radome		Fibreglass	
Material - Support Pole / Mounting	Galv Steel	Galv Steel	Galv Steel
Material - Radiators		Aluminium/Silver plated Brass/Stainless Steel	

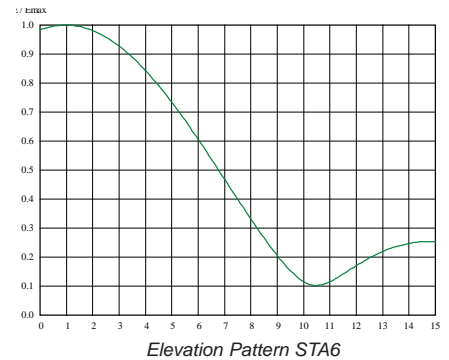
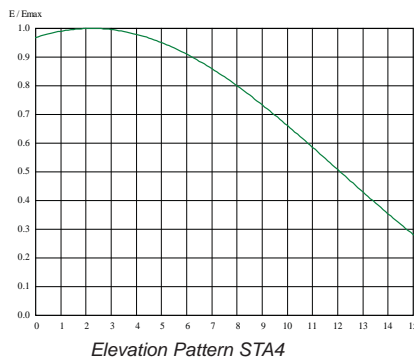
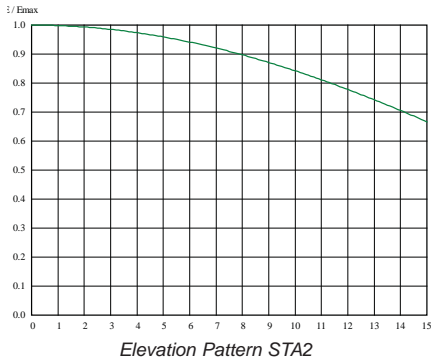
Patterns



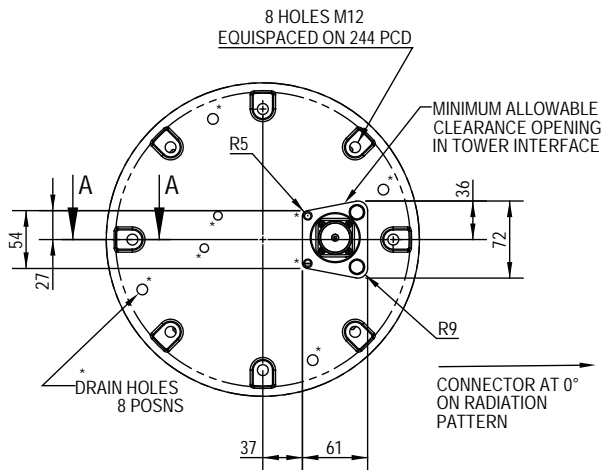
All information contained in the present brochure is subject to confirmation at time of ordering

Band IV/V (UHF) Superturnstile Arrays 470-862MHz

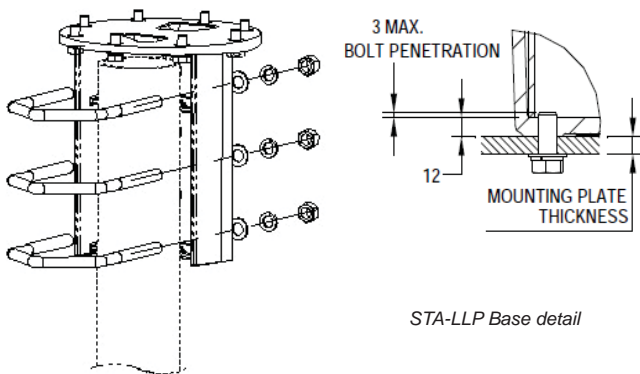
Patterns



Mounting Detail

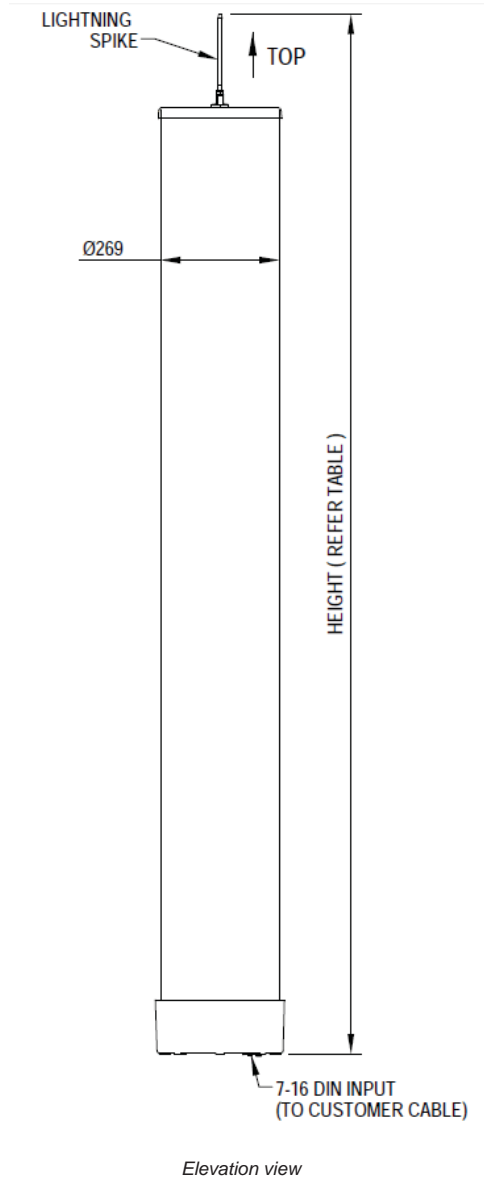


VIEW A
STA-LLP Base view



STA-LLP Base detail

STA-LLP Mounting bracket
Part number 07.10033



All information contained in the present brochure is subject to confirmation at time of ordering