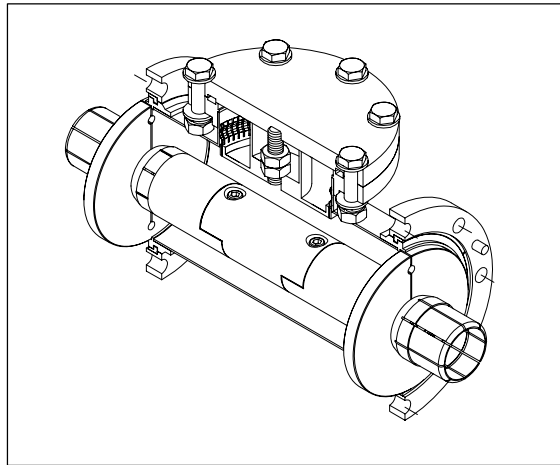
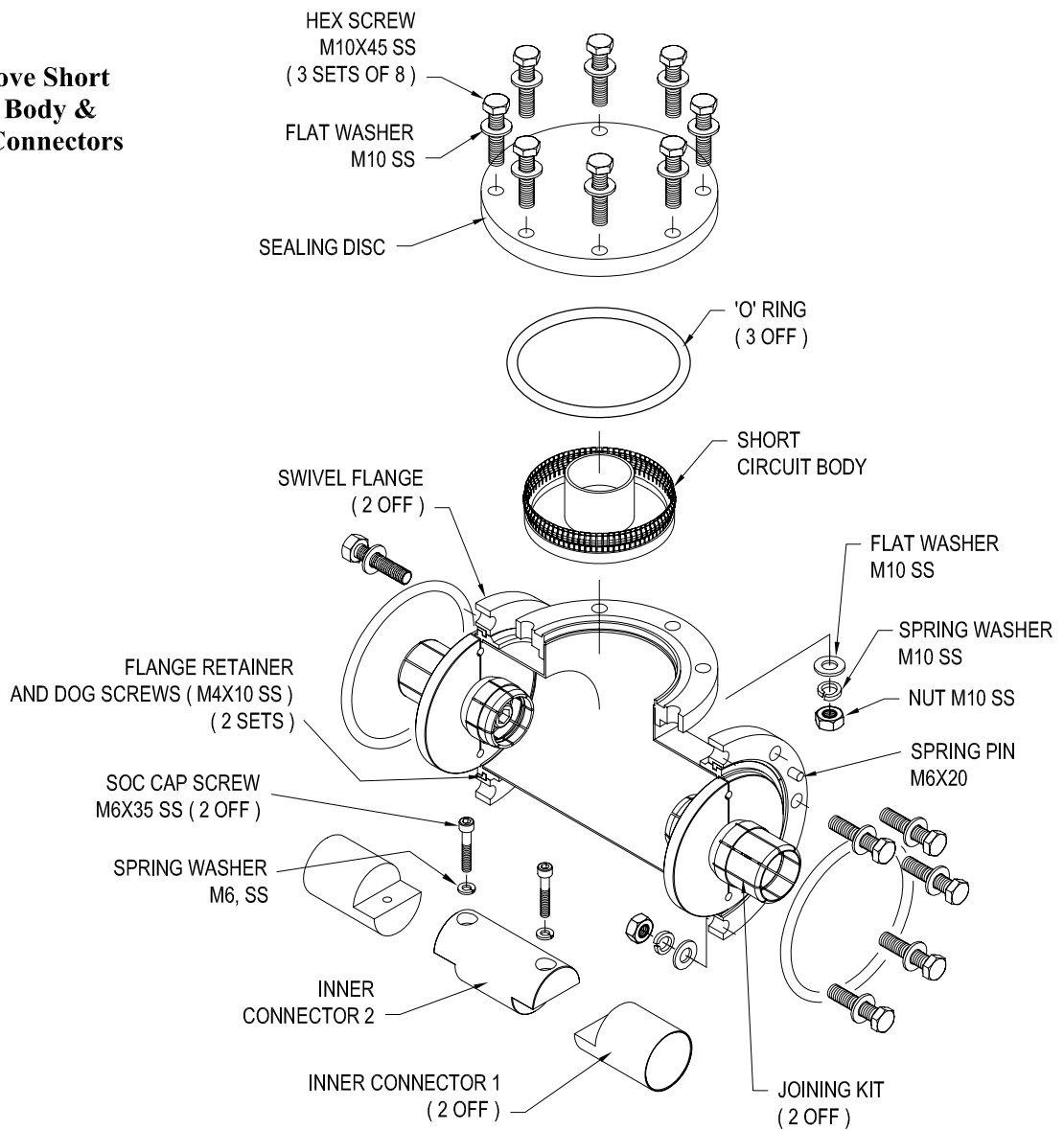



Standard Assembly



1. Remove Short Circuit Body & Inner Connectors

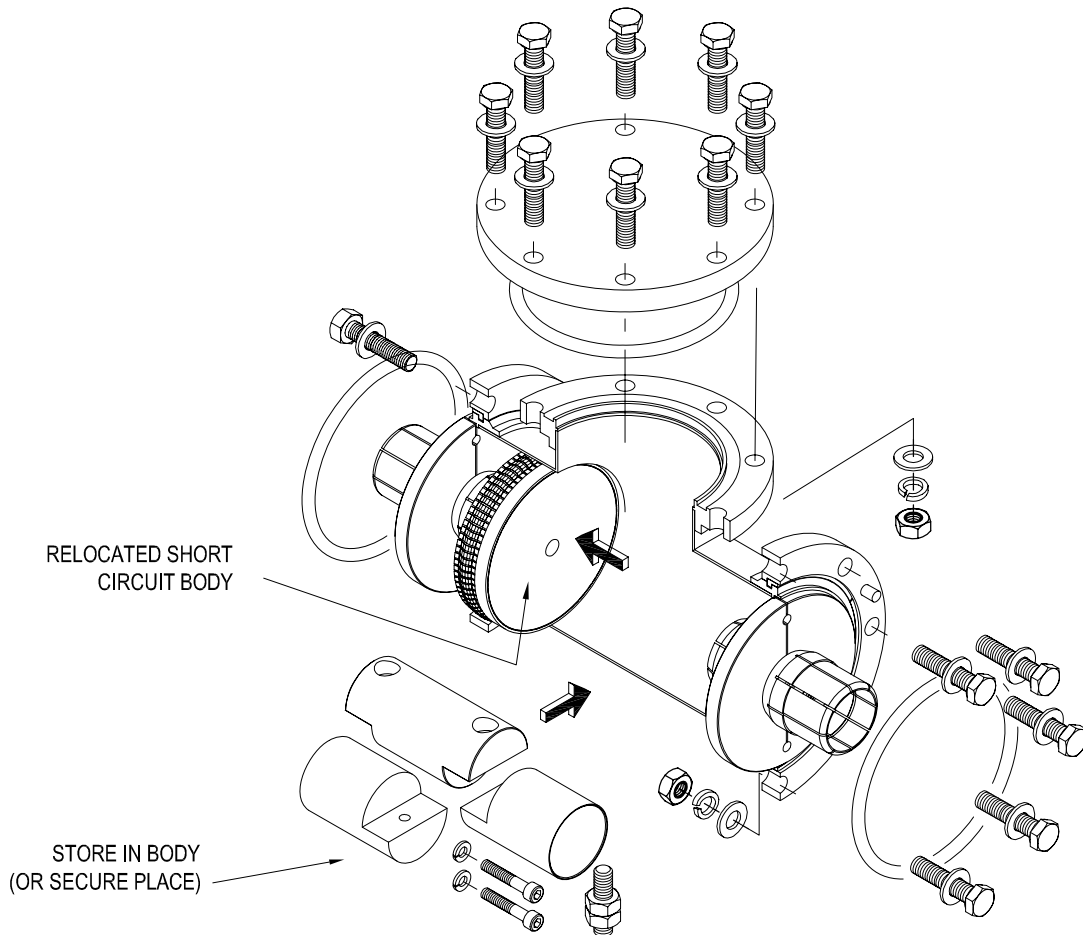


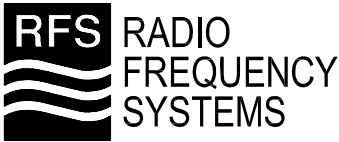
DESIGN FILE No.	-	
CHECKED	CTV	
WEIGHT	-	
SHEET No.	SHEET 1 of 3	
ISSUE	01	
DIMENSIONS IN MILLIMETRES		

**CABLE TEST
ASSEMBLY**

49.70106

2. Short Circuit in Cable Test Assembly

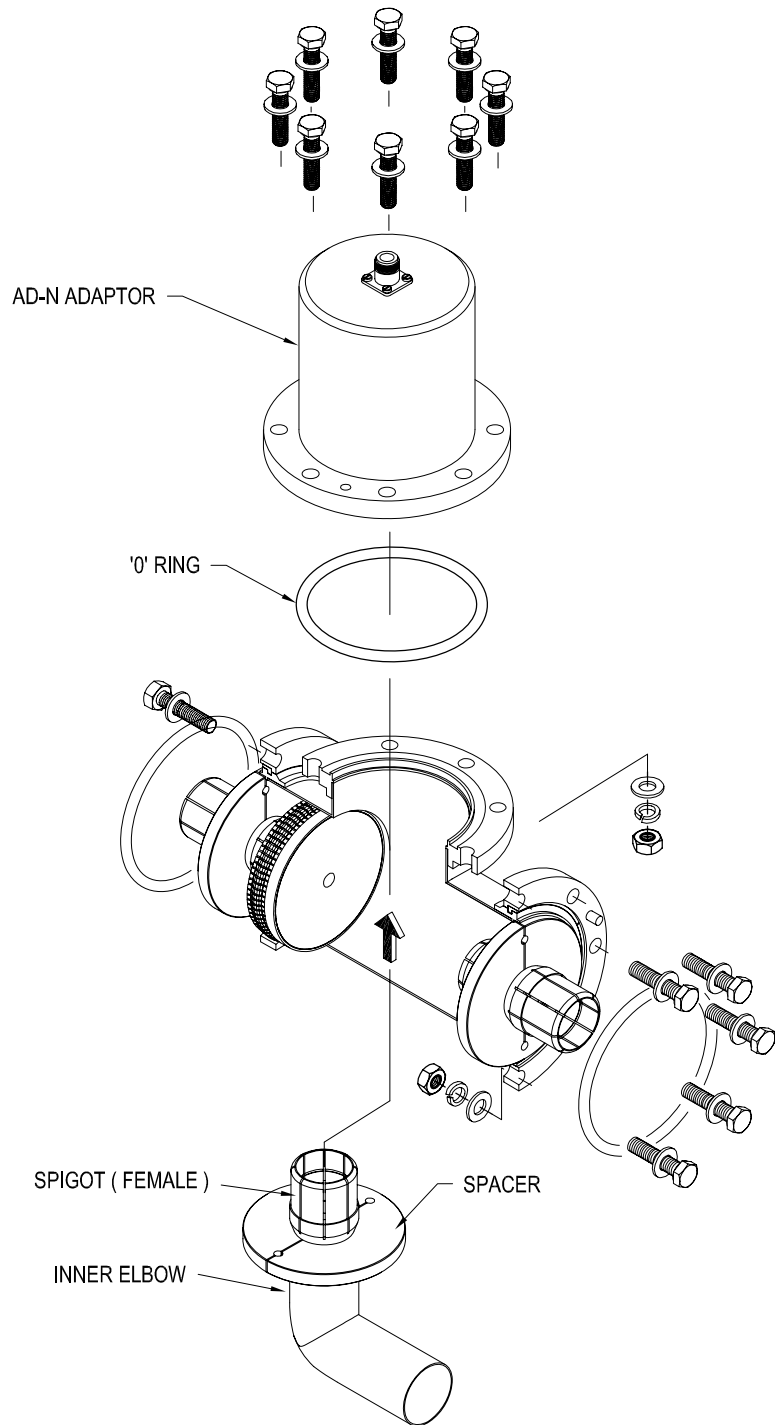


DESIGN FILE No.	-	
CHECKED	CTV	
WEIGHT	-	
SHEET No.	SHEET 2 of 3	
ISSUE	01	
		DIMENSIONS IN MILLIMETRES

CABLE TEST
ASSEMBLY

49.70106

**3. Test Section Adaptor Kit
(with N type connector)**



DESIGN FILE No.	-
CHECKED	CTV
WEIGHT	-
SHEET No.	SHEET 3 of 3
ISSUE	01

RFS RADIO
FREQUENCY
SYSTEMS

DIMENSIONS IN MILLIMETRES

CABLE TEST
ASSEMBLY

49.70106