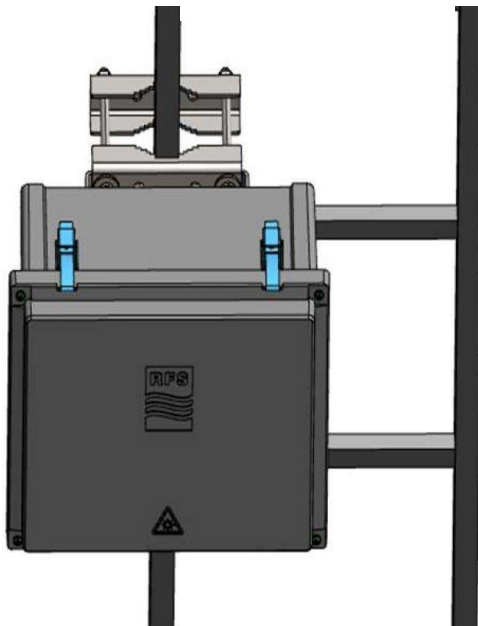




Ladder Mounting

Centrally Mounted



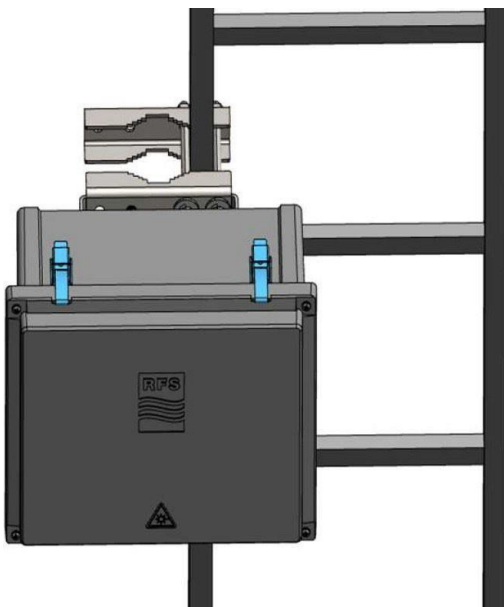
Typical M10 studding arrangement



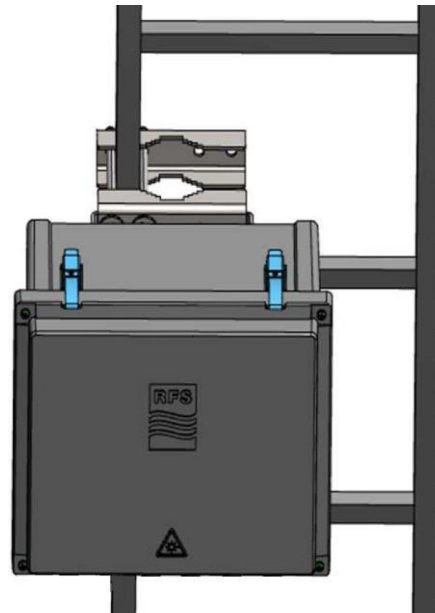
box end

Note: Box can be mounted on either side of the ladder

offset to the left



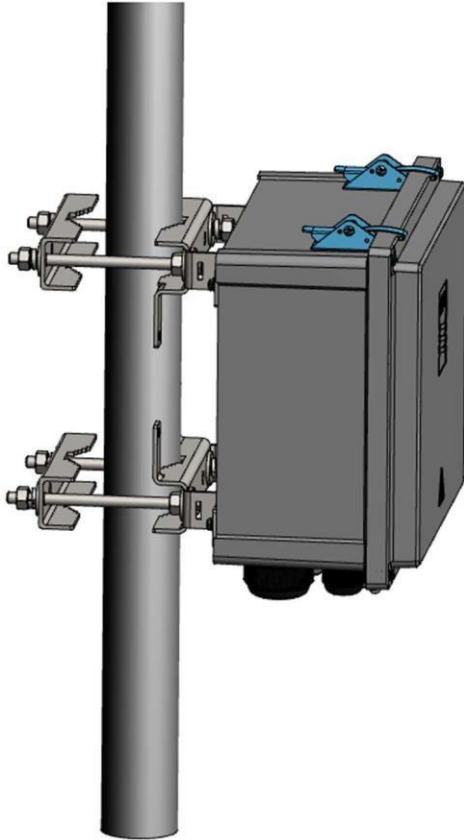
offset to the right



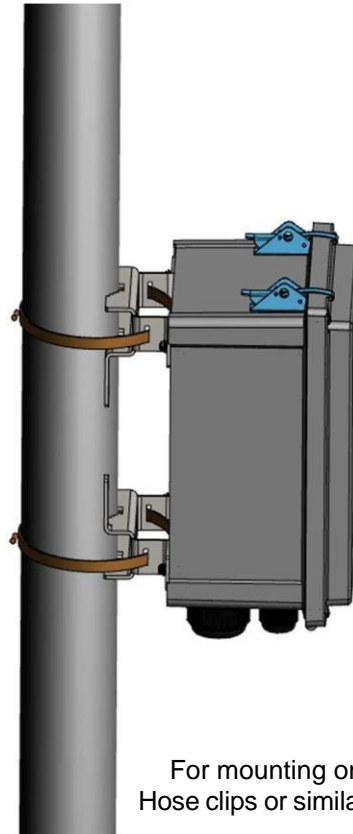


Pole Mounting

Pole (up to 114mm) Mounting



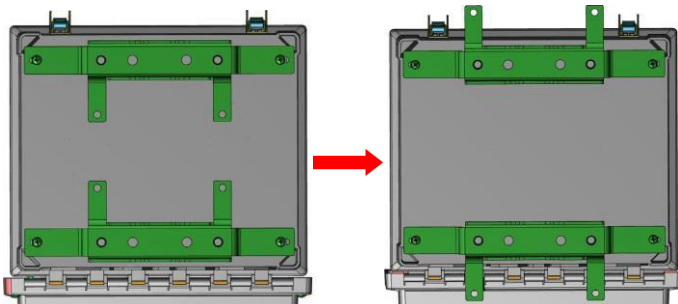
Pole (greater than 114mm) Mounting: use cutouts on side of brackets



For mounting on oversized poles:
Hose clips or similar supplied by others

Wall Mounting

Rotate both brackets 180 degrees so that mounting ears point outwards



Wall mount fixing hole for M6. supplied by others

