

The HYBRIFLEX™ Direct cabling solution for rooftop



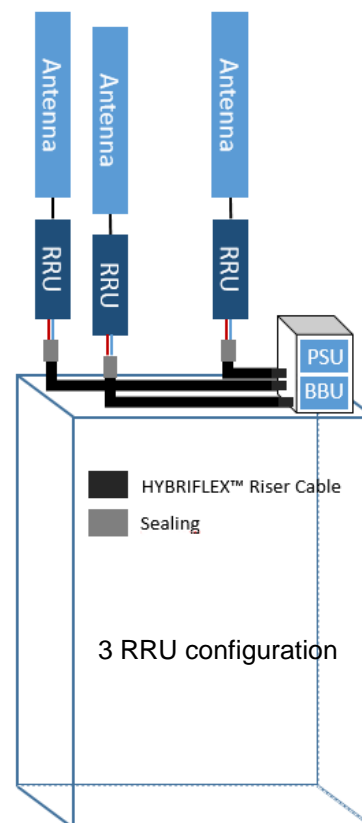
For Greenfield sites, Multi-RRU, Network modernisation and overlays (i.e. a three sector LTE site over existing GSM and/or UMTS site)

Benefits:

- One single cable ready-to-install
- Possibility to adapt the length on both sides
- Plug and play
- Seamless cabling between BBU and RRU without any additional connectors or splices
- Excellent mechanical protection no conduits needed
- Seamless lightning protection

Supports Application:

Number of RRU	F/O type	Number of fiber pairs	DC / mm ²
1	Single Mode or Multimode	1 or 2 (LTE ready)	4, 6



Supported RRU vendor specific connectors for

- ZTE
- ALU
- NSN
- HUAWEI
- Ericsson
- others on request

Kit content for 1 RRU:

- 1 RRU DIRECT cable (with OEM specific F/O connectors on top side)
- HYBRISEAL SHRINK-FIT
- HYBRISEAL COMPRESSION-FIT
- Clamps
- Grounding Kits

Logistics:

Individual Kits (Customer choice of top break out length, bottom break out length, main Riser cable length)

Pre-defined kits (20, 30, 40, 50, 60, 70, 80, 90, 100 m)

Specifications subject to change without notice

Copyright © 2014 Radio Frequency Systems. All rights reserved