

SC1/SCX1 PACKING

Installation Instructions



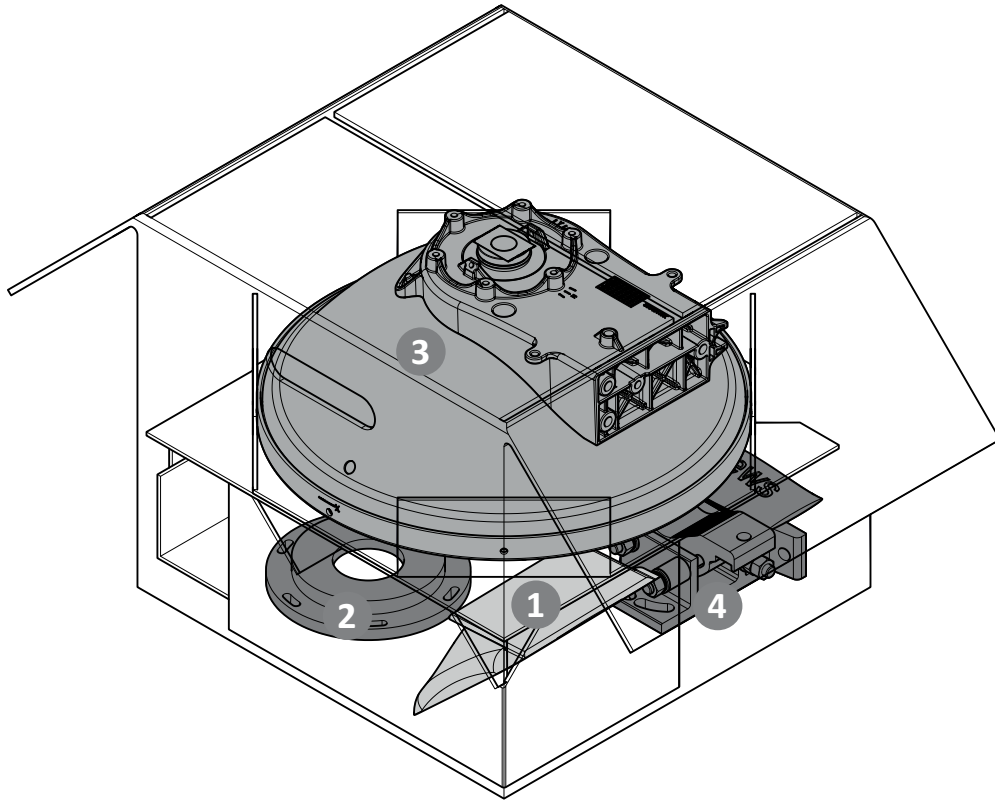
1 / 2

SC1/SCX1 PACKING

Installation Instructions



2 / 2

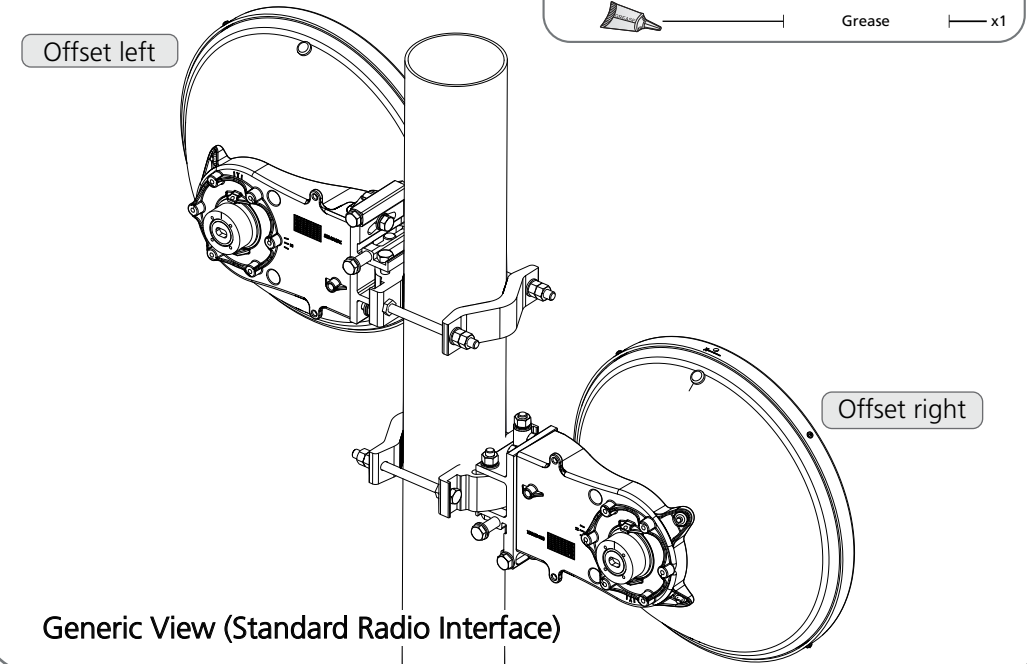
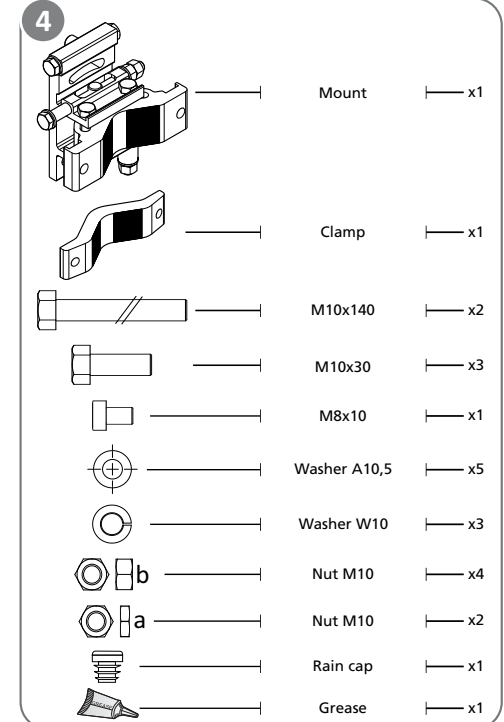
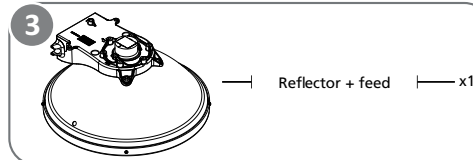
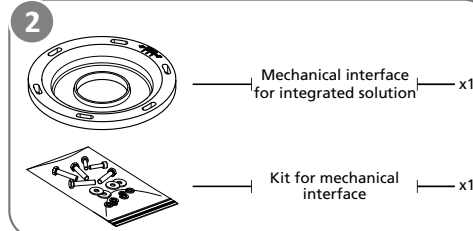
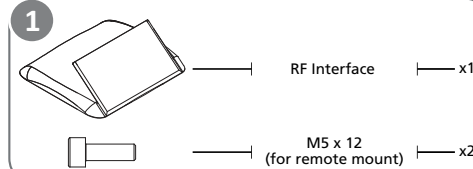


Required tools



It is important to mount the antenna exactly as described in this installation instruction.
 The installed antenna shall be inspected once per year by qualified personnel.
 RFS disclaims any responsibility for the result of improper or unsafe installation.
 This installation instruction has been written for qualified, skilled personnel.

We reserve the right to alter details, especially with respect to technical improvement



Generic View (Standard Radio Interface)