

# SL3/SLX3 ANTENNA

Installation Instruction



1 / 9

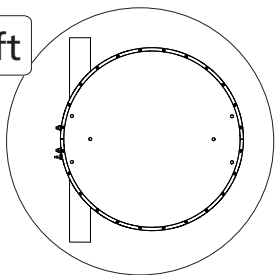
# SL3/SLX3 ANTENNA

Installation Instruction

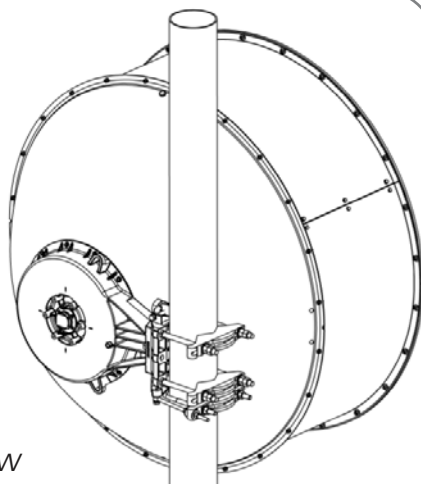


2 / 9

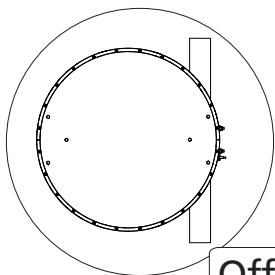
Offset left



Generic View  
(Standard Interface)



Offset right



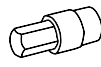
## ReQUIRED TOOLS



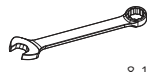
2.5 to 50 N.m



8-13-17-19



6



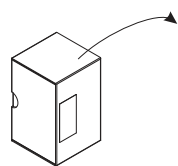
8-13-17-19



Grease (provided by RFS) X1

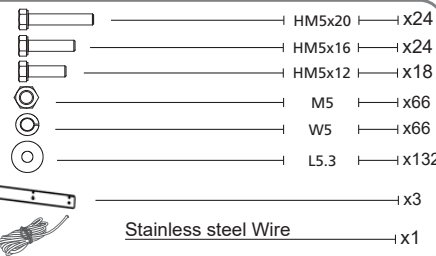
It is important to mount the antenna exactly as described in this installation instruction.  
The installed antenna shall be inspected once per year by qualified personnel.  
RFS disclaims any responsibility for the result of improper or unsafe installation.  
This installation instruction has been written for qualified, skilled personnel.

We reserve the right to alter details, especially with respect to technical improvement

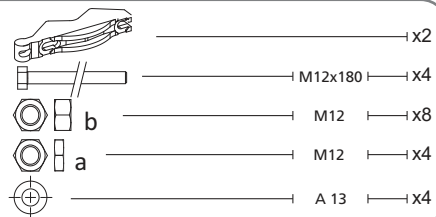


Basic Feed X1

Basic Feed X1



Stainless steel Wire X1



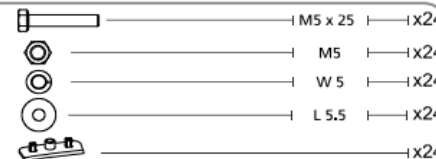
Console X1



Top Clamp X6



Top Clamp X12



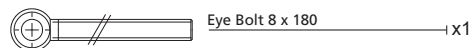
Customer Interface



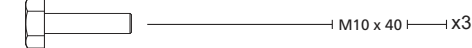
NMT-20-...



V-Bolt M10 X1



Eye Bolt 8 x 180 X1



M10 x 40 X3



M8 x 130 X1



M8 x 25 X1



M8 x 20 X1



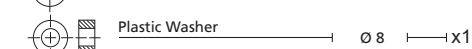
A 10.5 X2



L 8.4 X3



A 8.4 X3



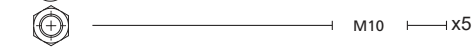
Plastic Washer Ø 8 X1



W 10 X5



W 8 X4



M10 X5



M8 X5



X1



X1



Rain Cap X1



X1



Reflector X1



Radome X1



Shroud sector X3

# SL3/SLX3 ANTENNA

Installation Instruction



3 / 9

NMT-10-1282-00

# SL3/SLX3 ANTENNA

Installation Instruction



4 / 9

**1**

push to click !

Basic Feed x 1

**2**

**3**

Absorber side view

5 Nm

	Hm5x12	X 9
	W5	X 9
	L5.3	X 18
	M5	X 9

**4**

TOP

**1** = Top

Bottom

Same center

# SL3/SLX3 ANTENNA

Installation Instruction



5 / 9

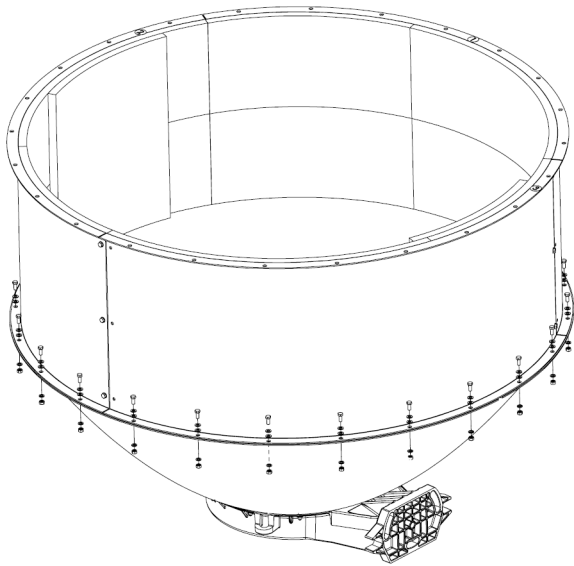
# SL3/SLX3 ANTENNA

Installation Instruction

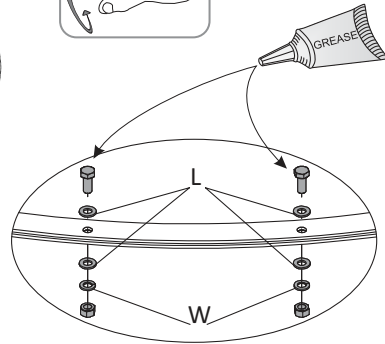
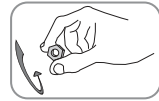


6 / 9

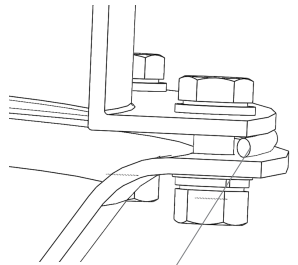
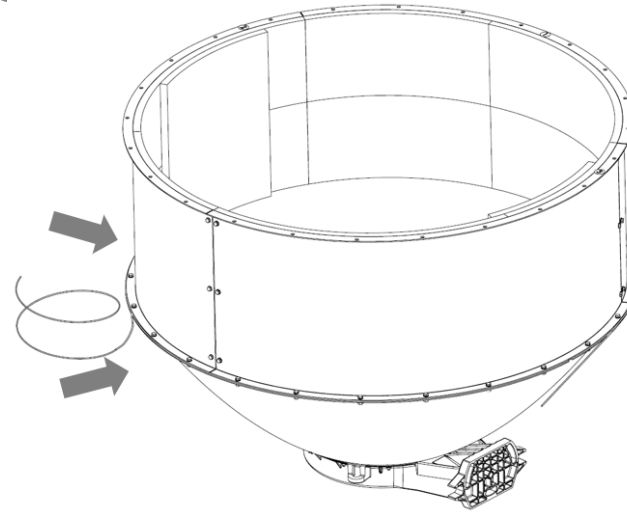
5



	Hm5x16	X 24
	W5	X 24
	L5.3	X 48
	M5	X 24

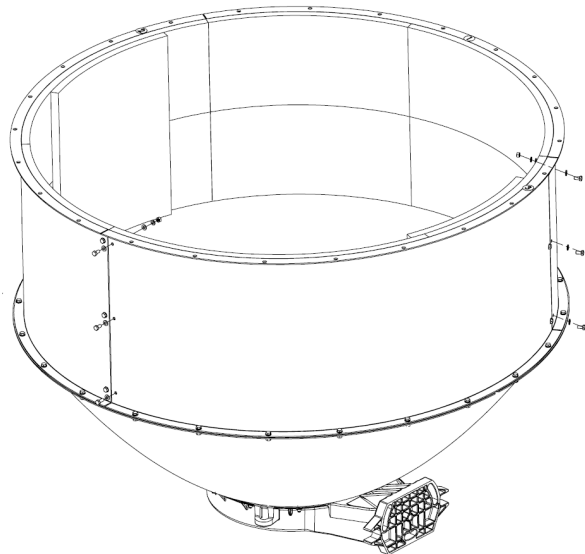


7

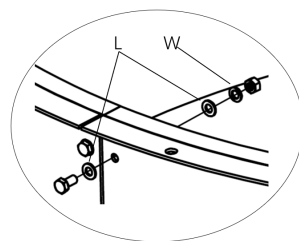


Stainless steel Wire X 1

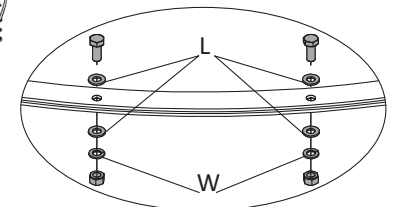
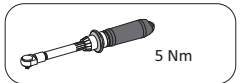
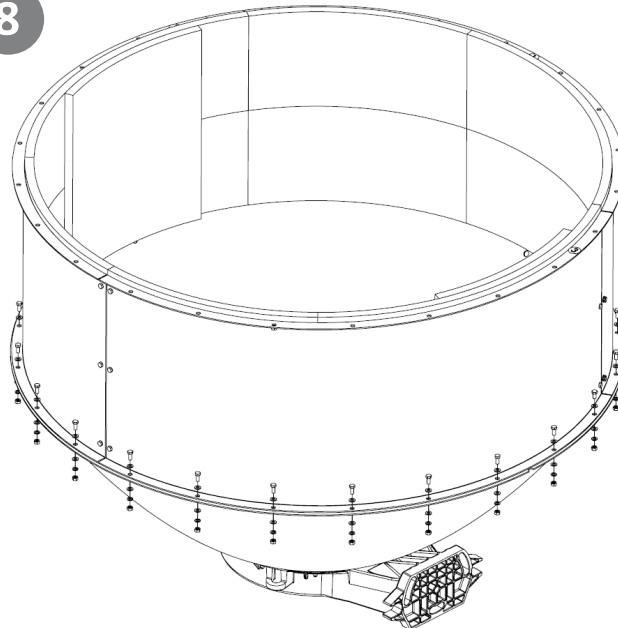
6



	Hm5x12	X 9
	W5	X 9
	L5.3	X 18
	M5	X 9



8



# SL3/SLX3 ANTENNA

Installation Instruction

7/9



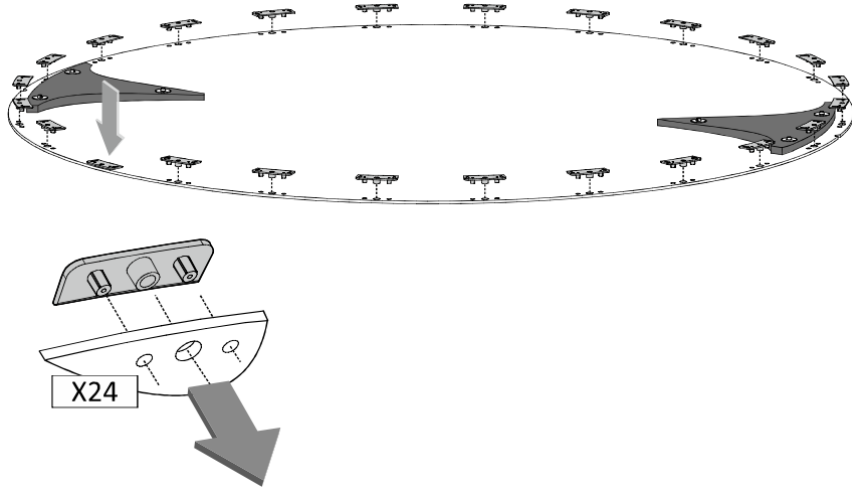
# SL3/SLX3 ANTENNA

Installation Instruction

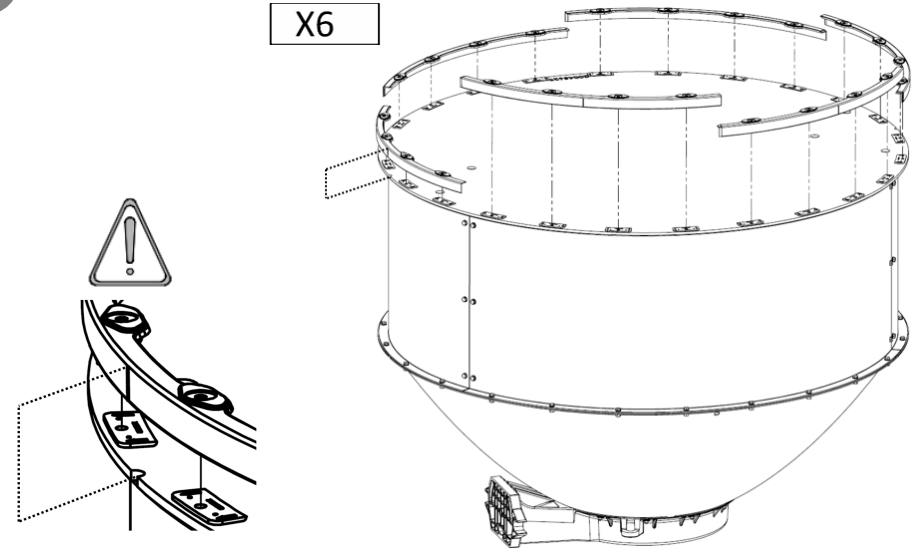
8/9



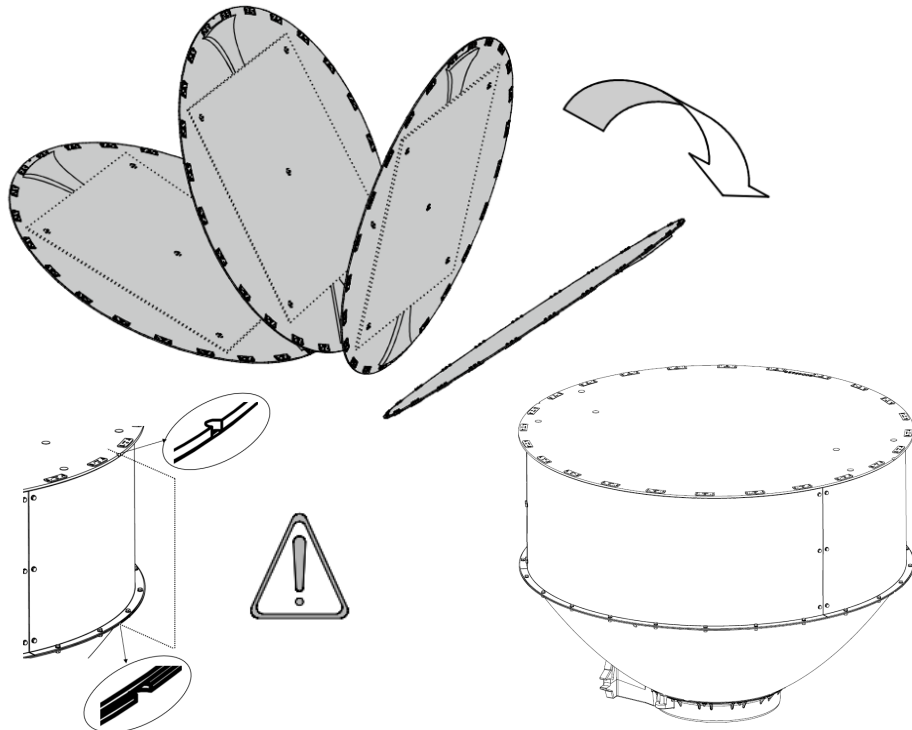
9



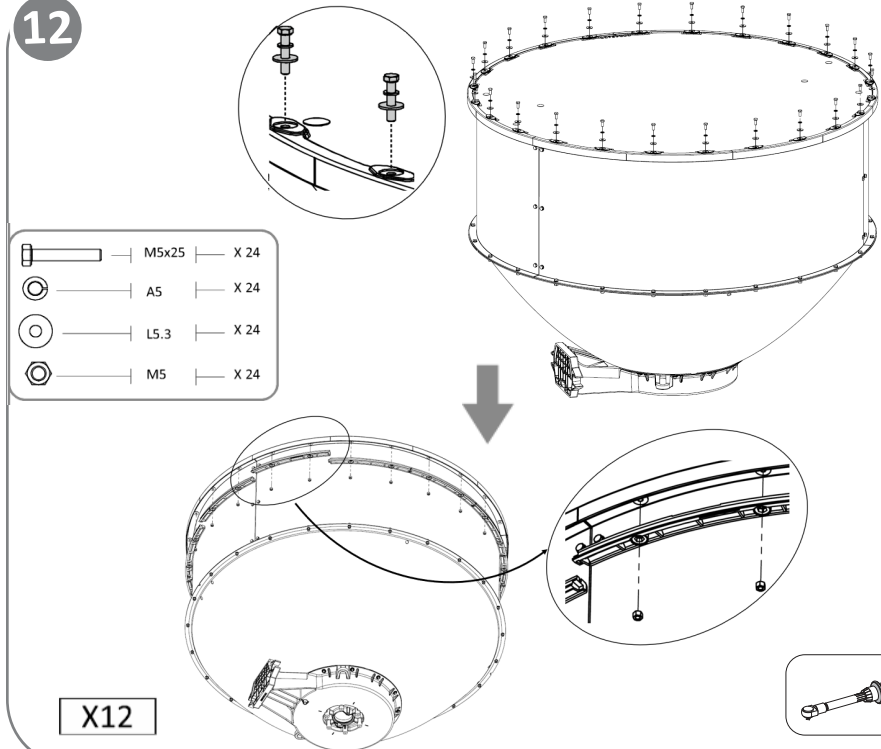
11



10



12





# SL3/SLX3 ANTENNA

Installation Instruction



9/9

NMT-10-1282-00

# SL3/SLX3 ANTENNA

Installation Instruction



13

