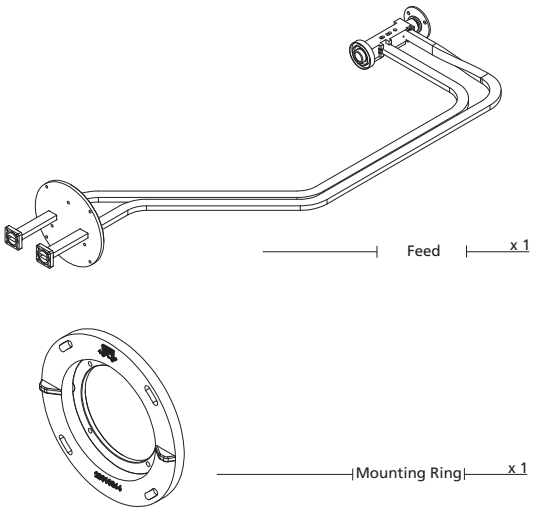


NMT-20-1105-00

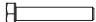



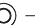
NMT-20-1105-00

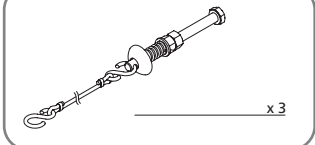
1 Dismounted feed




Feed x1

Mounting Ring x1

-  Hm5 x 22 x4
-  L5.3 x4
-  W5 x4
-  M4 x 10 x4
-  W4 x4

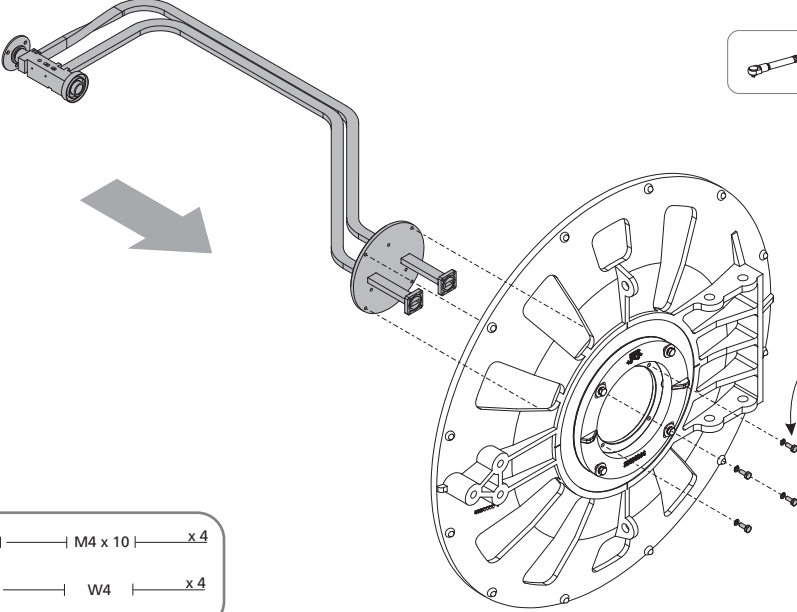


x3

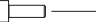



Grease x1

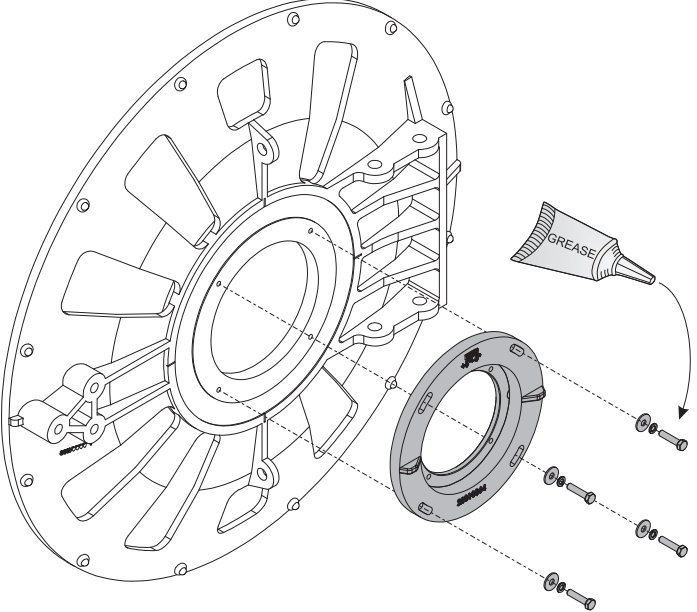
3






2.5 Nm

-  M4 x 10 x4
-  W4 x4

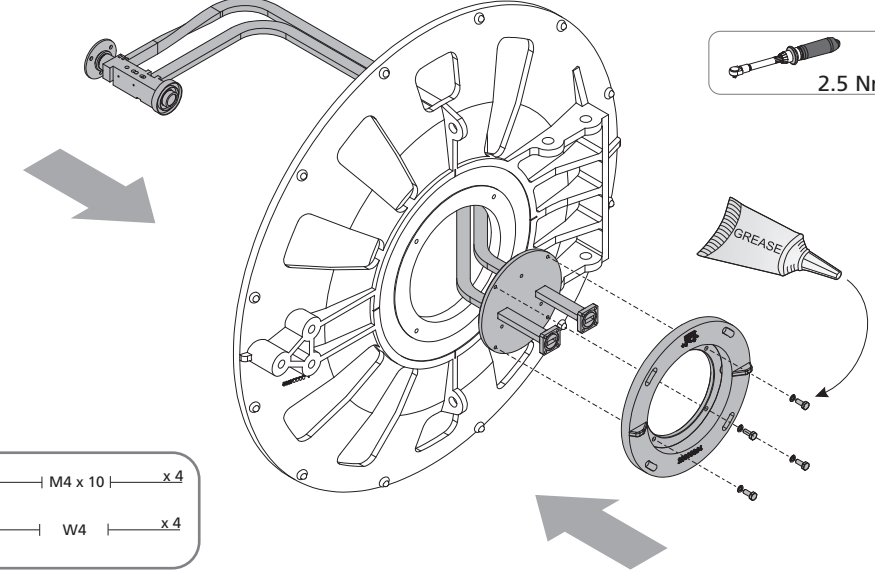
2 WITHOUT GUY WIRES





-  Hm5 x 22 x4
-  L5.3 x4
-  W5 x4

5 Nm

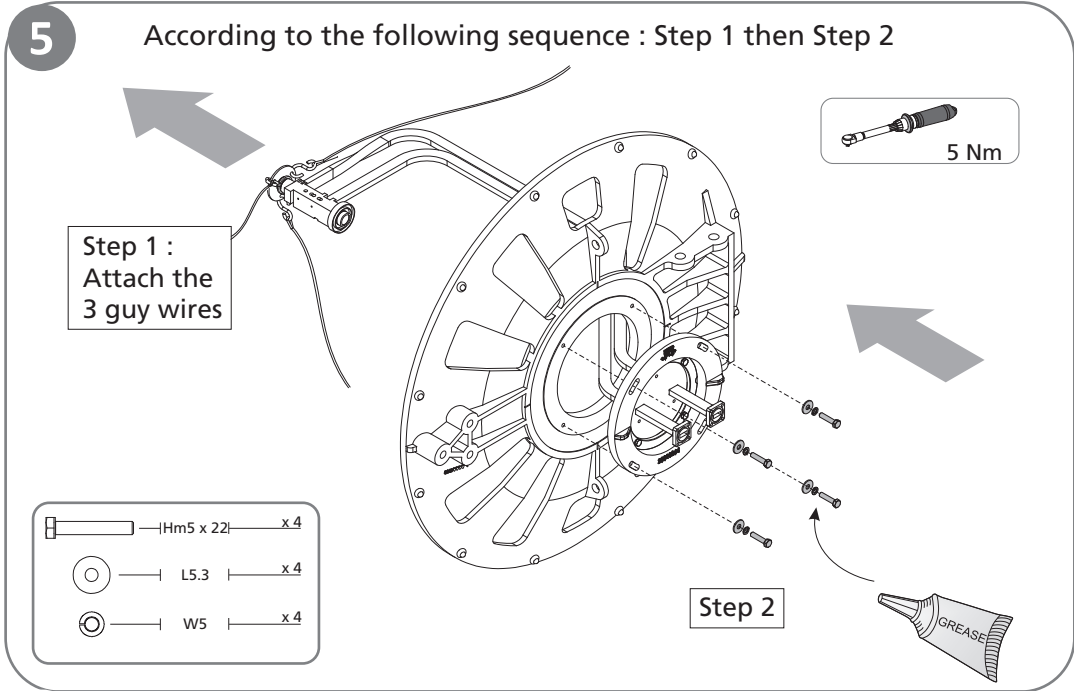
4 WITH GUY WIRES



2.5 Nm

-  M4 x 10 x4
-  W4 x4

5 According to the following sequence : Step 1 then Step 2



Step 1 :
Attach the 3 guy wires

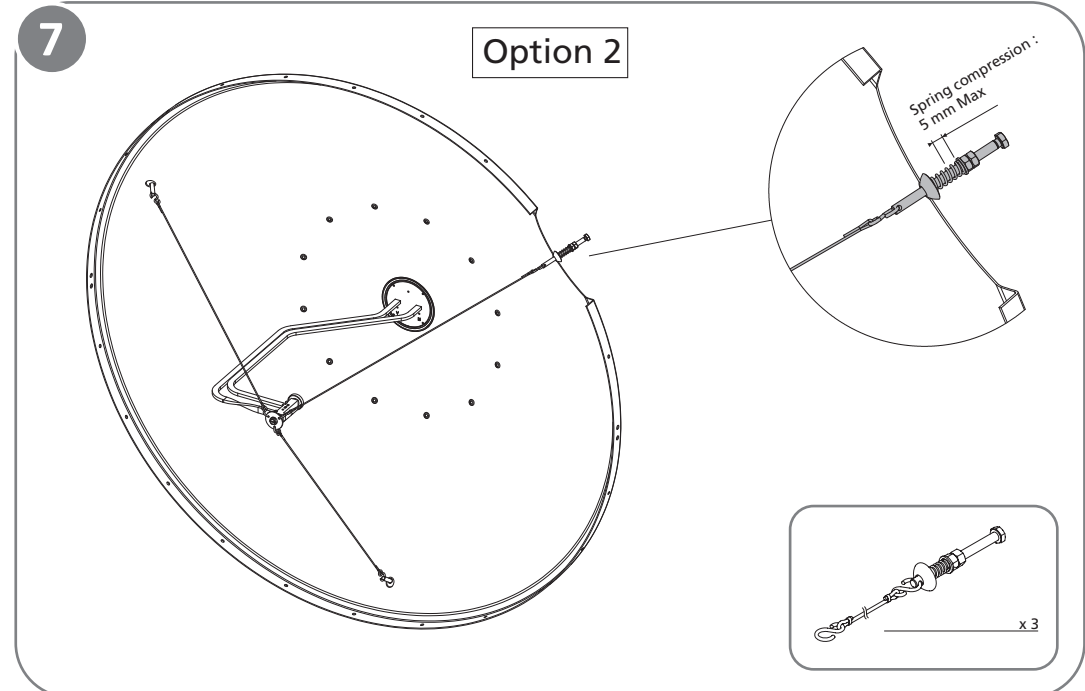
5 Nm

Step 2

- Hm5 x 22— x 4
- L5.3 — x 4
- W5 — x 4

GREASE

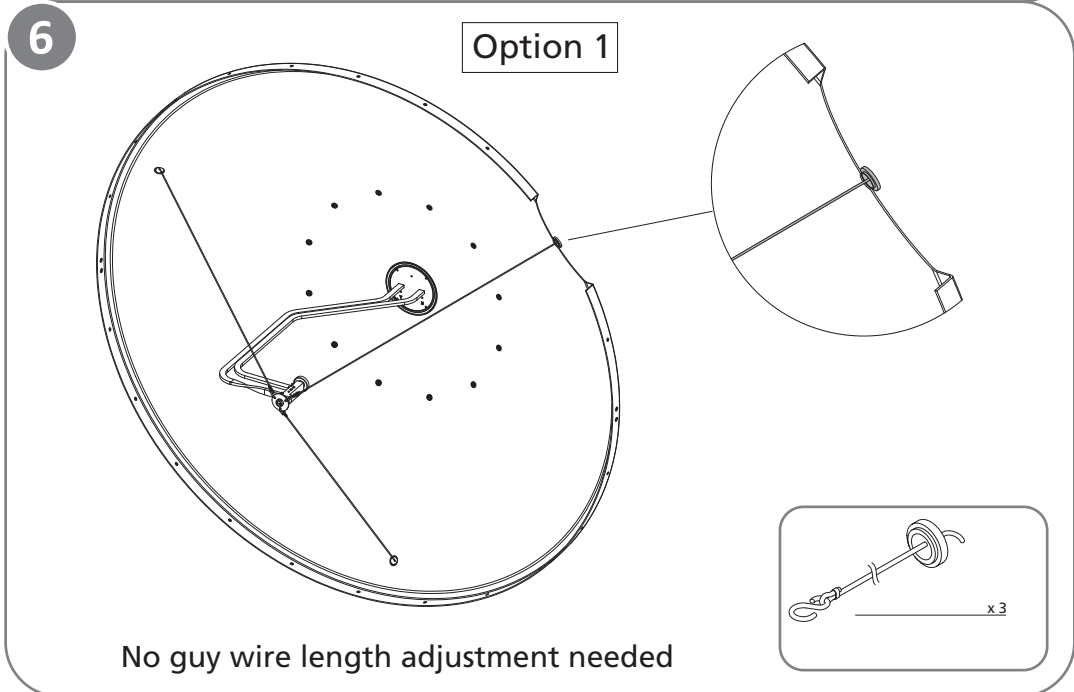
7 **Option 2**



Spring compression :
5 mm Max

x 3

6 **Option 1**



x 3

No guy wire length adjustment needed

8 **POLARISATION ADJUSTMENT**

Vertical

±5

Monopolarization

Horizontal

±5

±5

Dual polarization

V H