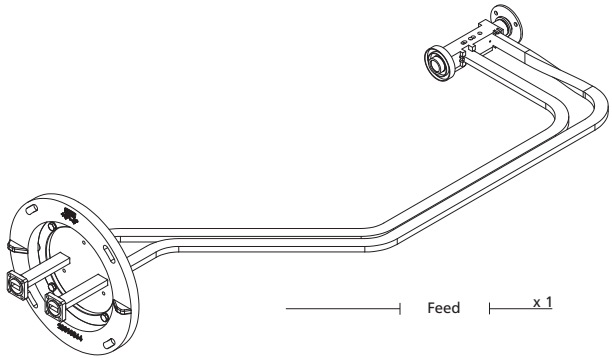





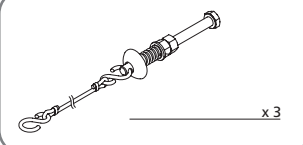


1 **Assembled feed**




Feed x1

-  |Hm5 x 22| x4
-  |L5.3| x4
-  |W5| x4
-  |M4 x 10| x4
-  |W4| x4

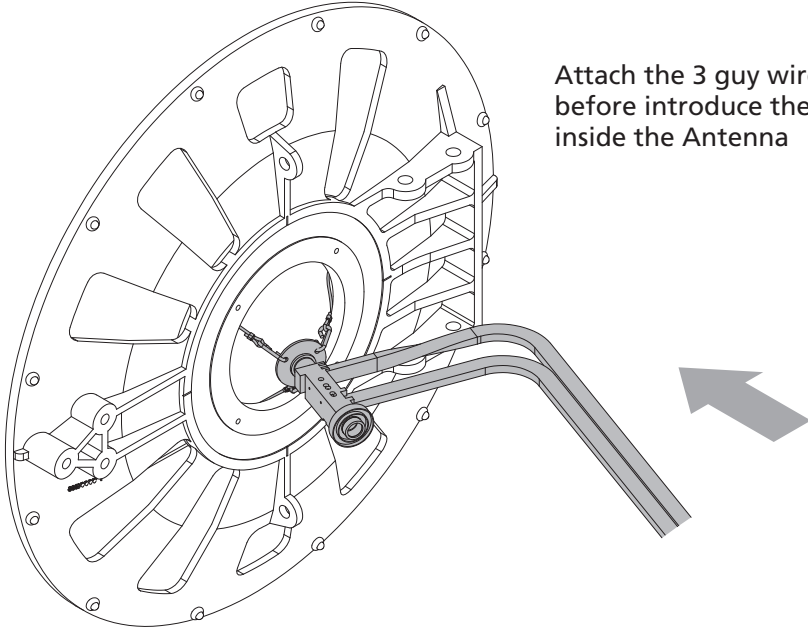


x3



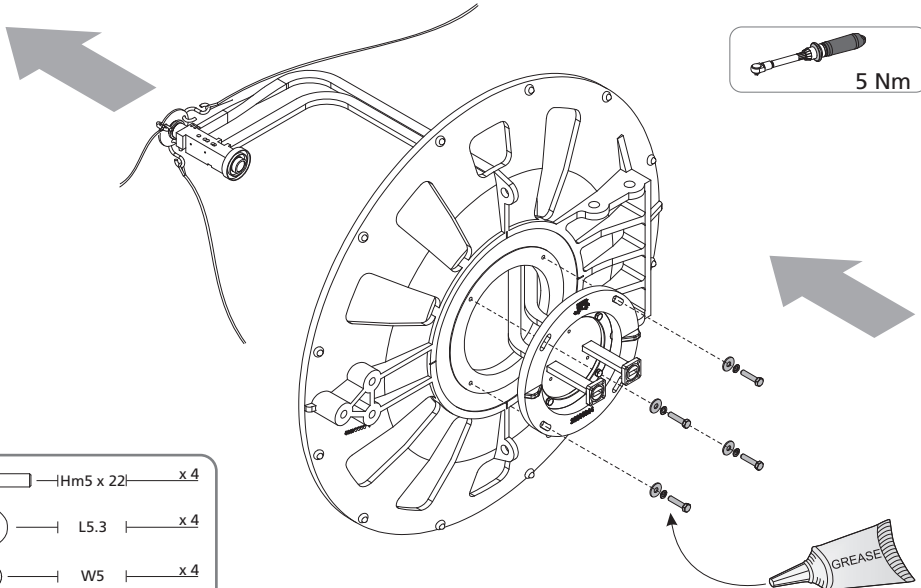
GREASE | Grease | x1

2







Attach the 3 guy wires before introduce the feed inside the Antenna

3



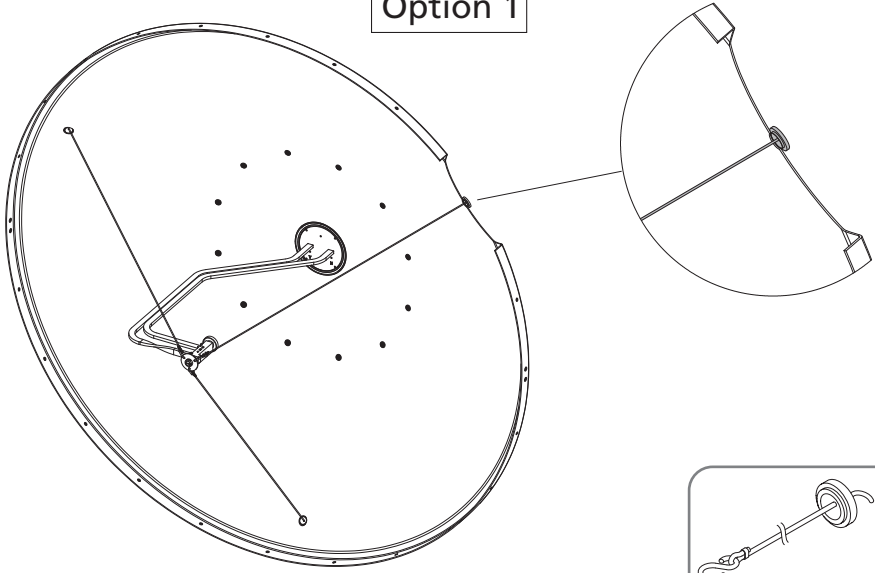
5 Nm

-  |Hm5 x 22| x4
-  |L5.3| x4
-  |W5| x4

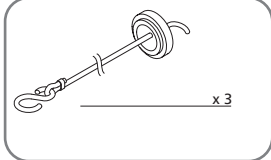


GREASE

6 **Option 1**



No guy wire length adjustment needed



x3

