

RF Interface

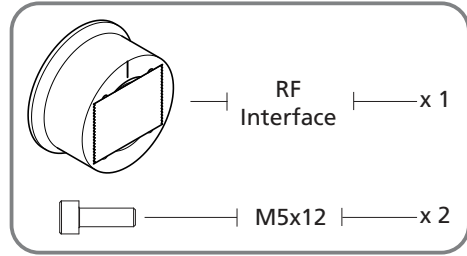
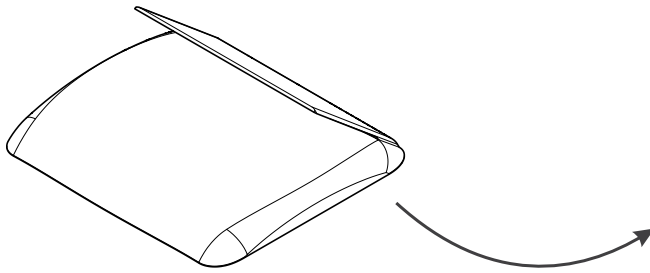
For remote mount Installation Instructions



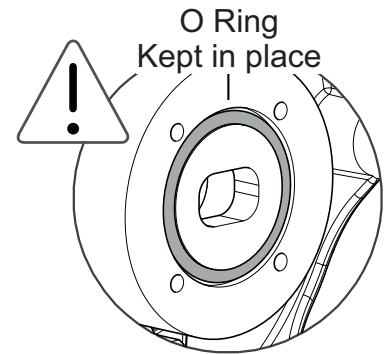
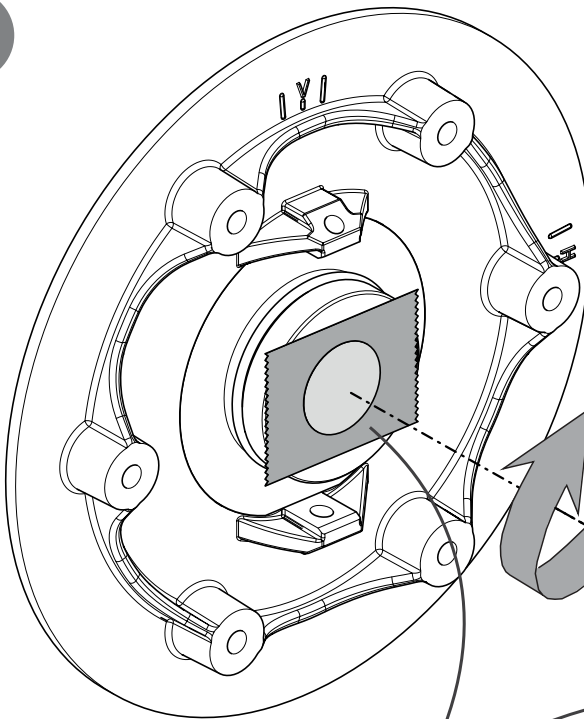
NMT-20-1127-02

1 / 2

1

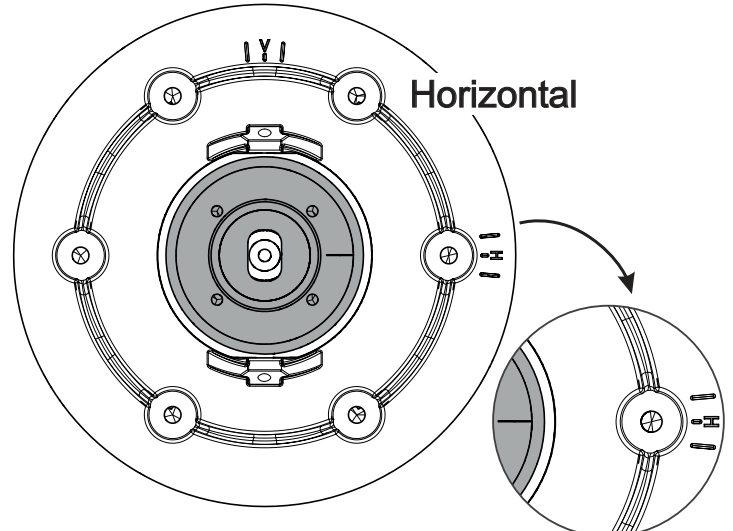
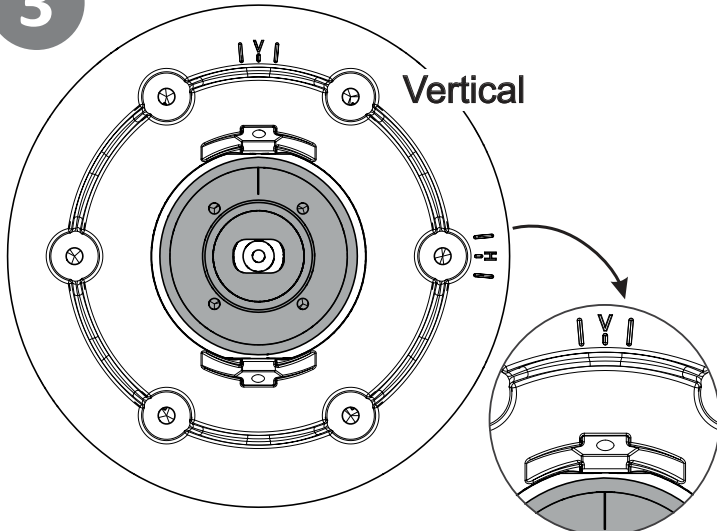


2



Turn while pushing down

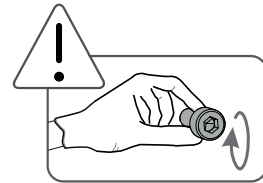
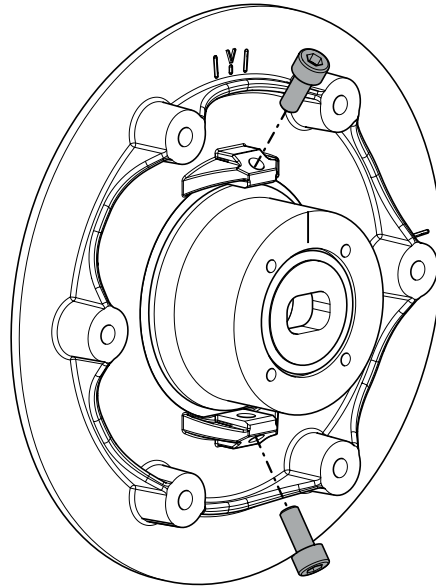
3

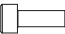


RF Interface

For remote mount Installation Instructions

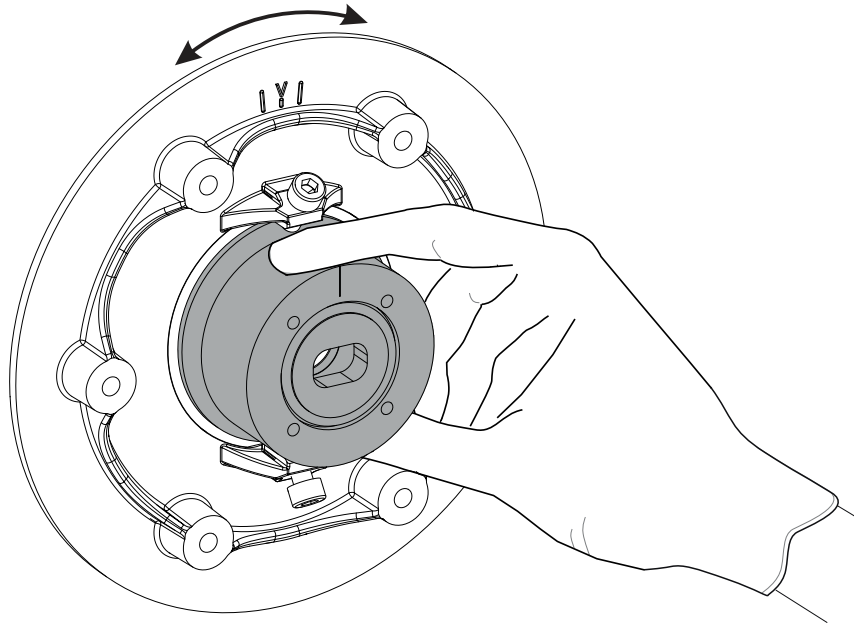
4



 M5 x 12 x 2

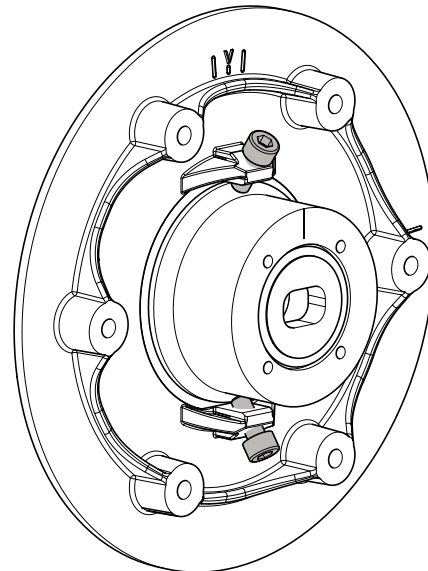
5

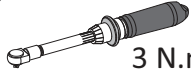
Optional fine polarization adjustment



6

Final tightening



 3 N.m