

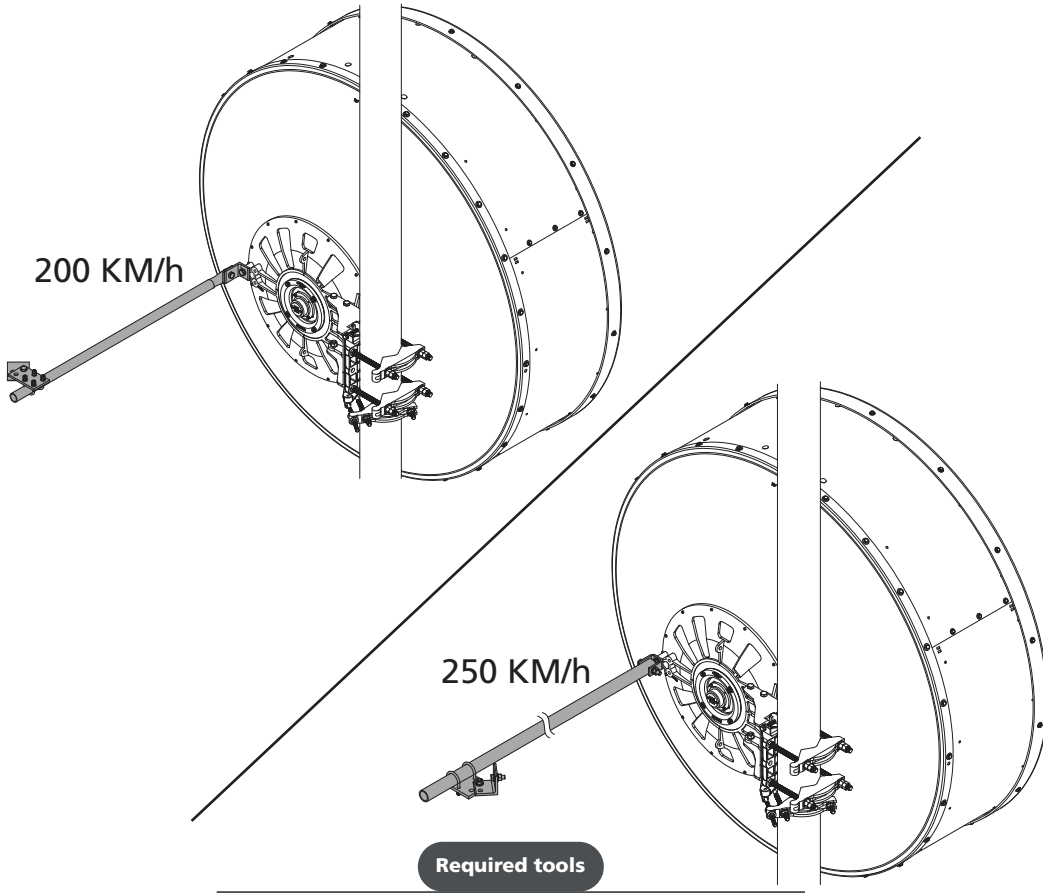
Wind kit 250Km/h for 4Ft antennas

SMA-WK-4D Installation Instruction

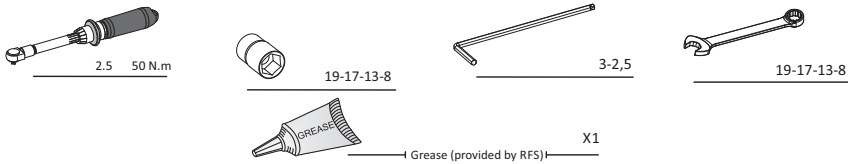
Wind kit 250Km/h for 4Ft antennas

SMA-WK-4D Installation Instruction

This kit allows to increase the 4Ft antennas survival wind speed from 200Km/h to 250Km/h



Required tools

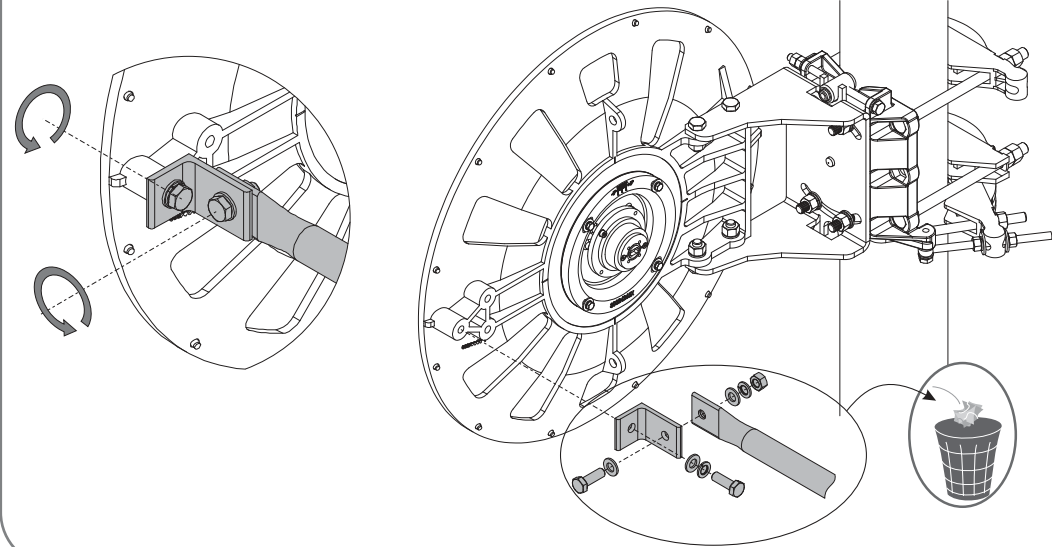


It is important to mount the antenna exactly as described in this installation instruction.
The installed antenna shall be inspected once per year by qualified personnel.
RFS disclaims any responsibility for the result of improper or unsafe installation.
This installation instruction has been written for qualified, skilled personnel.

We reserve the right to alter details, especially with respect to technical improvement

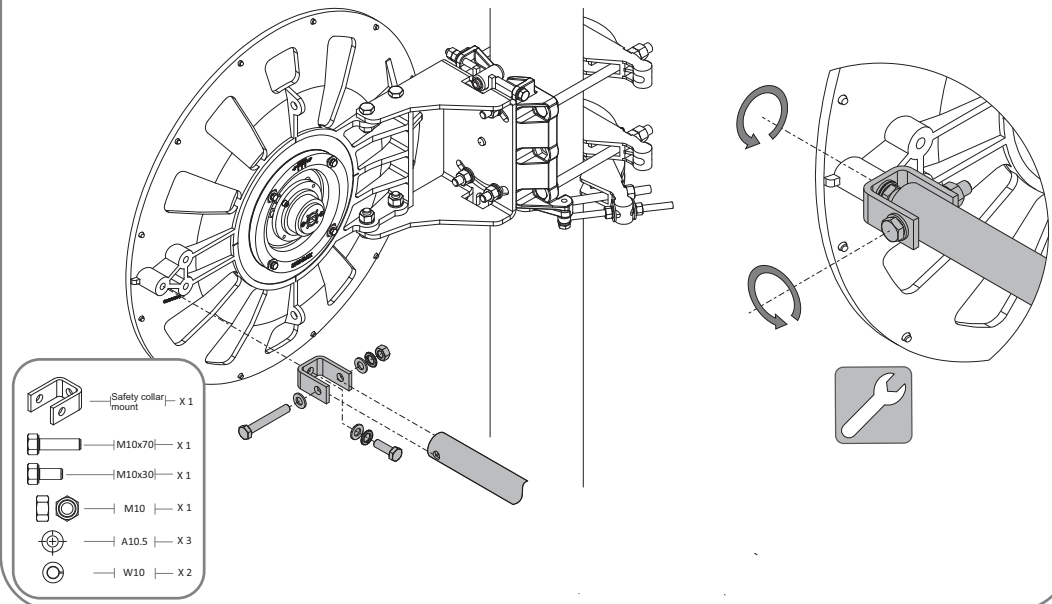
1


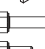




DISASSEMBLING



2

ASSEMBLING



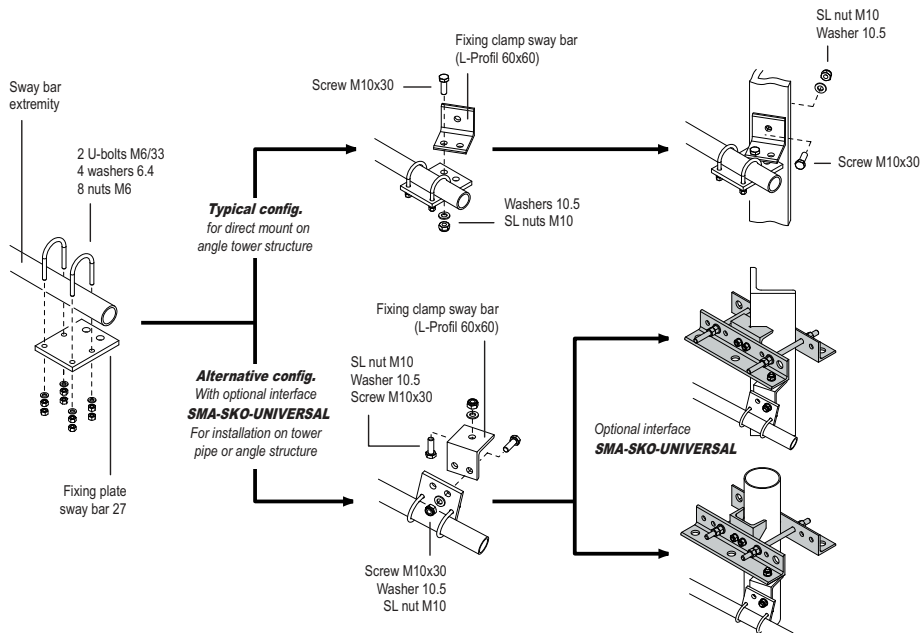
-  Safety collar X 1
-  Mount X 1
-  M10x70 X 1
-  M10x30 X 1
-  M10 X 1
-  A10.5 X 3
- W10 X 2

Wind kit 250Km/h for 4Ft antennas

SMA-WK-4D Installation Instruction

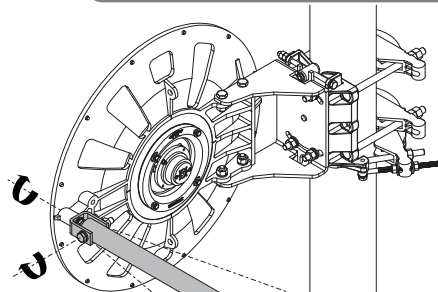
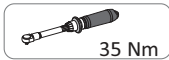


3



4

Sway bar orientation



After sway bar positioning torque tighten all bolted joints

±25° max