

Additional-SwayBar KIT SC3

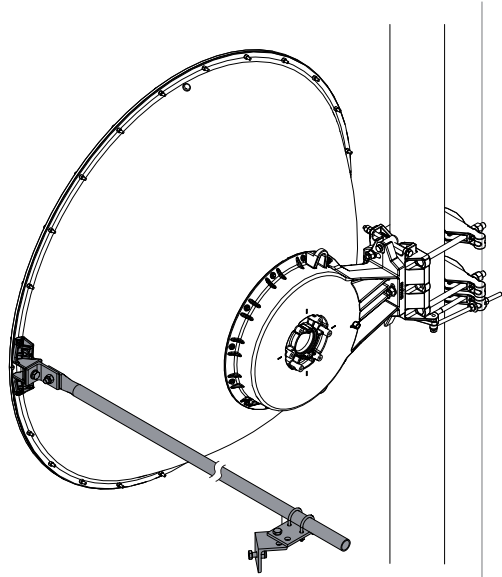
SMA-SK-3 Installation Instruction



1 / 4

NMT-40-823-01

SwayBar kit installation overview (3ft Antenna)



- 5-35 N.m
- 10-16/17
- 10-16/17
- GREASE X1
Grease (provided by RFS)

- Stiffening Swaybar X 1
- Swaybar 27 / 1350 X 1
- Fixing Plate X 1
- Swaybar Clamp X 1
- Swaybar Clamp X 1

- U-Bolt M6/27 X 2
- M10x30 X 4
- M8x25 X 2
- M5x25 X 2
- A10.5 X 4
- A8.4 X 2
- A6.4 X 4
- A5.3 X 2
- W5 X 2
- M10 X 4
- M8 X 2
- M6 X 8
- M5 X 2

Additional-SwayBar KIT SC3

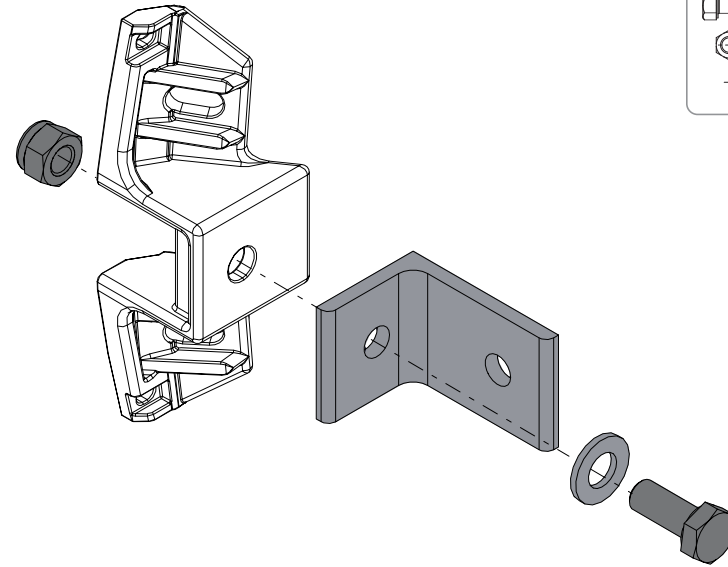
SMA-SK-3 Installation Instruction



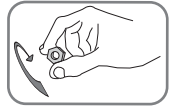
2 / 4

NMT-40-823-01

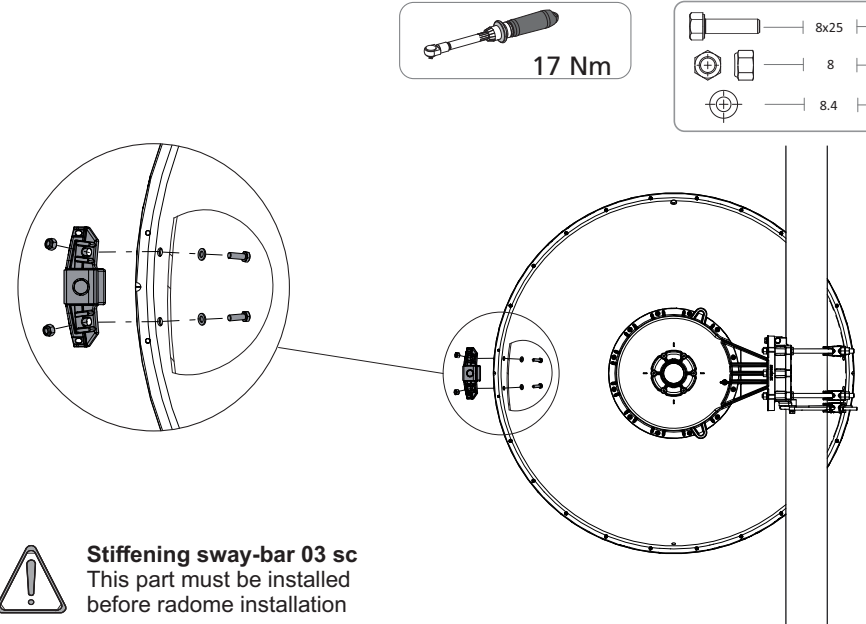
1



- 10x30 x 1
- 10 x 1
- 10.5 x 1



2



- 17 Nm

- 8x25 x 2
- 8 x 2
- 8.4 x 2



Stiffening sway-bar 03 sc
This part must be installed before radome installation

Additional-SwayBar KIT SC3

SMA-SK-3 Installation Instruction



Additional-SwayBar KIT SC3

SMA-SK-3 Installation Instruction



3

5 Nm

| | | |
|--|------|-----|
| | 5x25 | x 2 |
| | M5 | x 2 |
| | L5.3 | x 2 |
| | A5 | x 2 |

4

| | | |
|--|-------|-----|
| | 10x30 | x 1 |
| | 10 | x 1 |
| | 10.5 | x 1 |

5

| | | |
|--|-------|-----|
| | 10x30 | x 2 |
| | 10 | x 2 |
| | 10.5 | x 2 |
| | 6.4 | x 4 |
| | 6 | x 8 |

6

Tower Connecting Kit (SMA-SKO-UNIVERSAL)

Typical config. for direct mount on angle tower structure

Alternative config. with optional interface SMA-SKO-UNIVERSAL for installation on tower pipe or angle structure

Optional interface SMA-SKO-UNIVERSAL

35 Nm

! When the installation of the antenna has been completed, it is necessary to make sure that the installation instructions of this addendum have been followed in all aspects. It is especially important to check that all bolted joints are greased and are torque tightly locked.