

Installation Instructions



Microwave Parabolic 10 ft Antennas 250 km/h WindKit Kit : SMA-WK-10

NMT 205-09(e)

1. Description

All standard 10 ft antennas withstand a survival windspeed of 200 Km/h. These antennas can be equipped with a WindKit for a survival wind speed of 250 Km/h.

These 250 km/h WindKit is composed of :

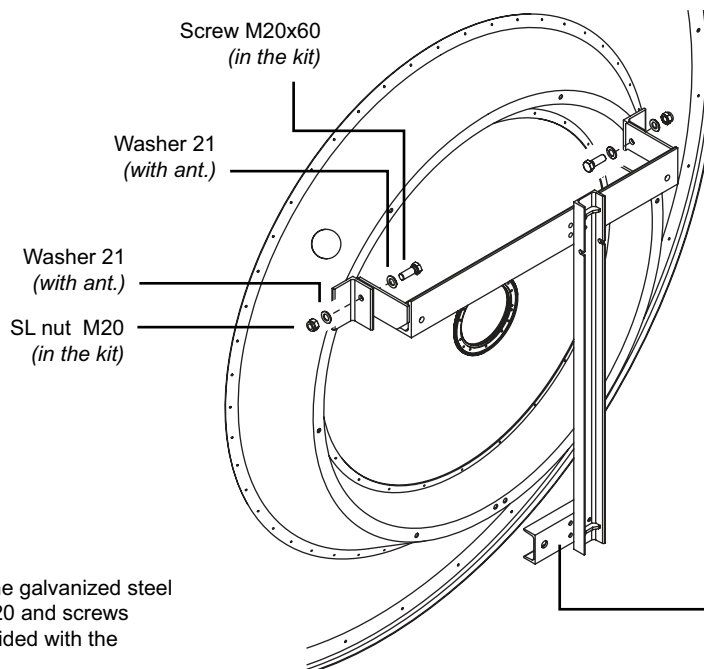
- 6 stiffening steel pipes
- 1 hardware pack
- 1 U elevation reinforced profil (in replacement of elevation angle supplied with the antenna)

2. Tool required for installation

- Wrenches for hexagon bolts or nuts HM12 (19 mm), HM20 (30 mm)
- Torque wrenche from 50 to 240 Nm
- Electric drill with Ø13 mm drill bit (for antenna equipped with hemispherical radome)

3. Assembly of the mount

Antenna with Standard Backring Kit : SMA-WK-10



Do not use the galvanized steel
SL washers 20 and screws
M20x60 provided with the
antenna

Replace the elevation
angle supplied with
the antenna by the
U profile delivered in
the kit

**It is important to mount the antenna exactly as described in this installation instruction.
The installed antenna shall be inspected once per year by qualified personnel.
RFS disclaims any responsibility for the result of improper or unsafe installation.
This installation instruction has been written for qualified, skilled personnel.**

We reserve the right to alter details, especially with respect to technical improvement.

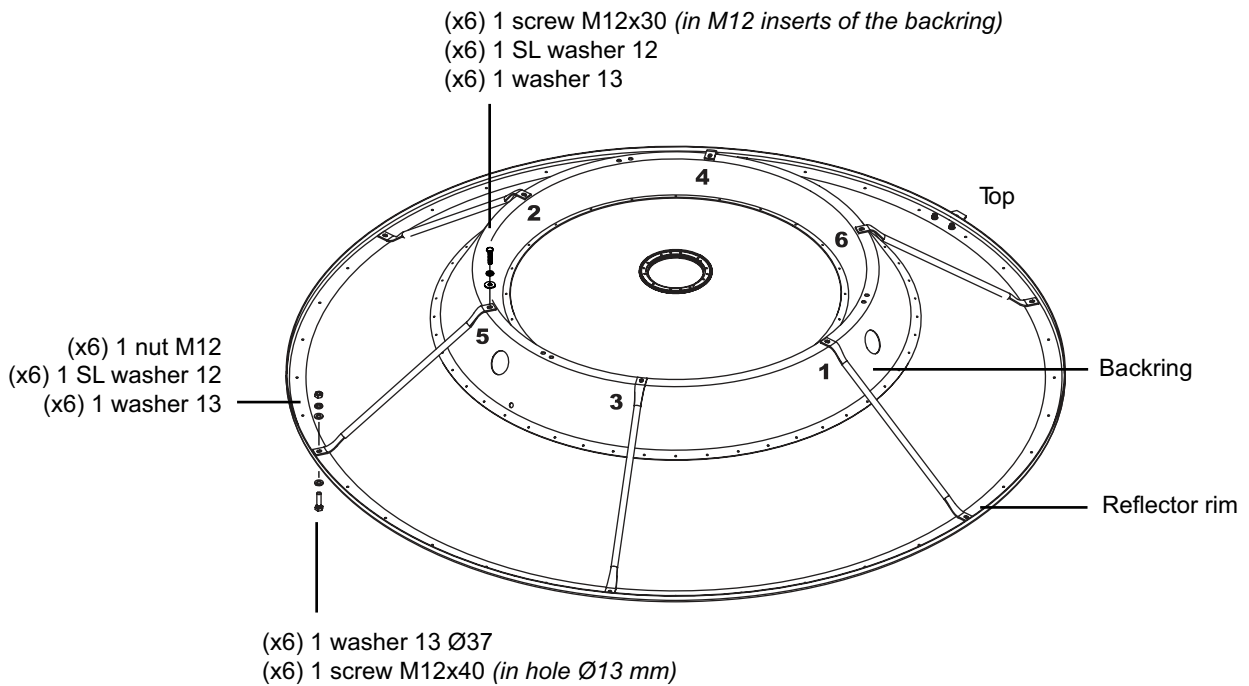
4. Assembly of the steel pipes

Note : For antenna with shroud or hemispherical radome, you need to substitute the 6 M5 or M6 bolts (installed in holes $\varnothing 13$) of the reflector rim, by the M12x40 bolts provided in 250 km/h hardware pack. For hemispherical radomes, the holes used for stiffening pipes attachment must be oversized to $\varnothing 13$ mm.

- Install the 6 stiffening steel pipes between the reflector rim and the antenna backring, handtighten the M12 bolted joints
- After complete handtightening, torque tighten all bolted joints in opposite diagonal mode (refer to torque table joined)

Antenna with Standard Backring

Kit : SMA-WK-10



5. Next instructions (See installation instructions supplied with the antenna)