

Feed Installation Instructions

2 ft Antennas (with M-Mount)

SB, SBX (RFS CompactLine®)

SP, SPF, SPX, SD, SDX, SU, SUX (RFS SlimLine®)

PAL, DA, DAX, UA, UDA, UXA (Microwave)

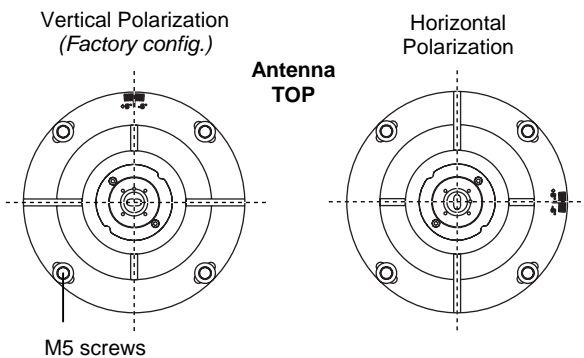


NMT 394-02(e)

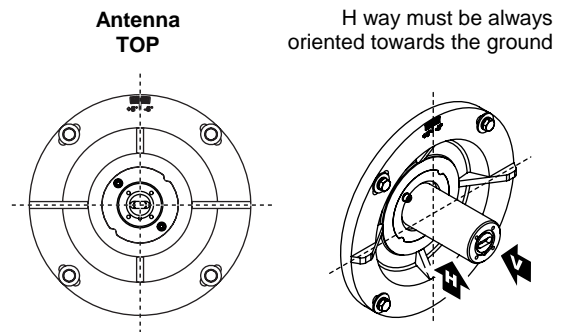


The feed is a precision component which should be handled with special care during installation. For instance, always carry the feed, supporting casting plate side. Any damage may degrade the antenna's performance. Repair of feeds is not possible in the field.

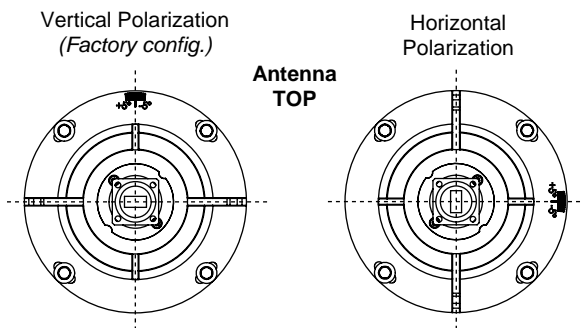
SB Feed



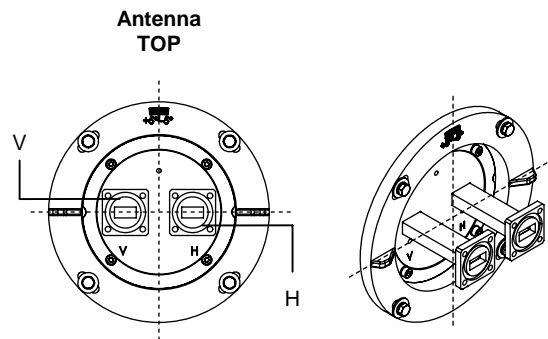
SBX Feed



PAL, SP, SPF, SD, SU, DA, UA Feeds



SPX, SDX, SUX, DAX, UDA, UXA Feeds



To set monopolarized feed systems in horizontal polarization :

- Hold the feed system, then remove the 4 screws M5
- Carefully rotate the feed 90° (without removing it from the reflector)
- Replace the 4 screws M5 with the washers Ø15 and SL washers
- Tighten and replace the protective cap up to waveguide or twisflex connection

To adjust feed system polarization :

- Loosen the 4 M5 screws
- Adjust polarization $\pm 5^\circ$ by feed's rotation
- Tighten M5 screws.