

Installation Instructions



Microwave Parabolic 6 ft Antennas 250 km/h WindKit Kit : SMA-WK-6 / Kit : SMA-WK-6A

NMT 405-03(e)

1. Description

All standard 6 ft antennas withstand a survival windspeed of 200 Km/h. These antennas can be equipped with a WindKit for a survival wind speed of 250 Km/h.

These 250 km/h WindKit is composed of :

- 6 stiffening steel pipes
- 1 hardware pack
- 1 L profil 120 mm

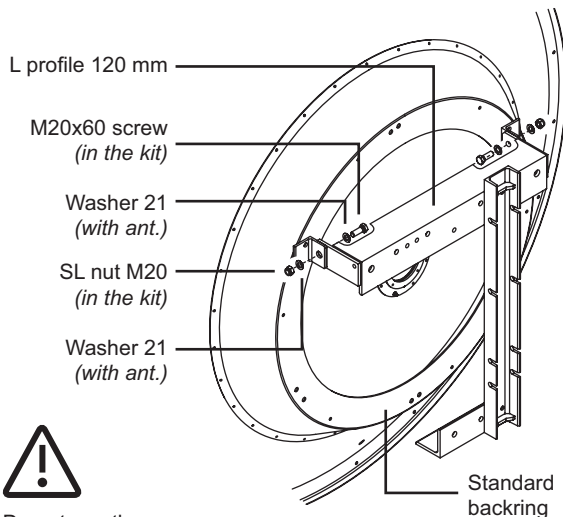
2. Tool required for installation

- Wrenches for hexagon bolts or nuts HM8 (13 mm), HM12 (19 mm), HM20 (30 mm)
- Torque wrench from 17 to 240 Nm
- Electric drill with Ø9 mm drill bit (for antenna equipped with hemispherical radome)

3. Assembly of the mount

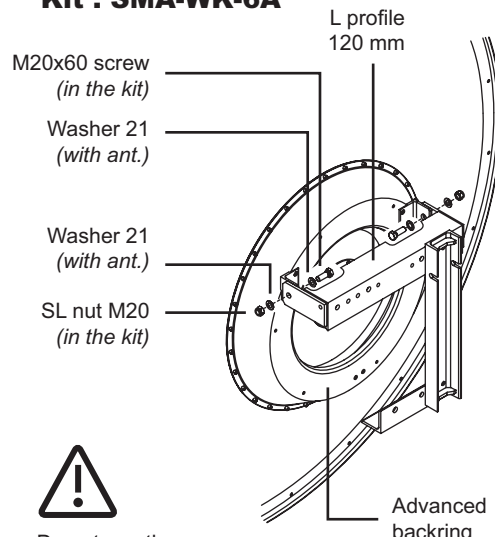
The L profile 120 mm delivered in this kit should substitute the L profile 100 mm delivered with the standard antenna. Insert the L profile 120 mm according to the installation instructions delivered with the antenna.

Antenna with Standard Backring Kit : SMA-WK-6



Do not use the galvanized steel SL washers 12 and screws M12x50 provided with the antenna

Antenna with Advanced Backring Kit : SMA-WK-6A



Do not use the galvanized steel SL washers 12 and screws M12x50 provided with the antenna

**It is important to mount the antenna exactly as described in this installation instruction.
The installed antenna shall be inspected once per year by qualified personnel.
RFS disclaims any responsibility for the result of improper or unsafe installation.
This installation instruction has been written for qualified, skilled personnel.**

We reserve the right to alter details, especially with respect to technical improvement.

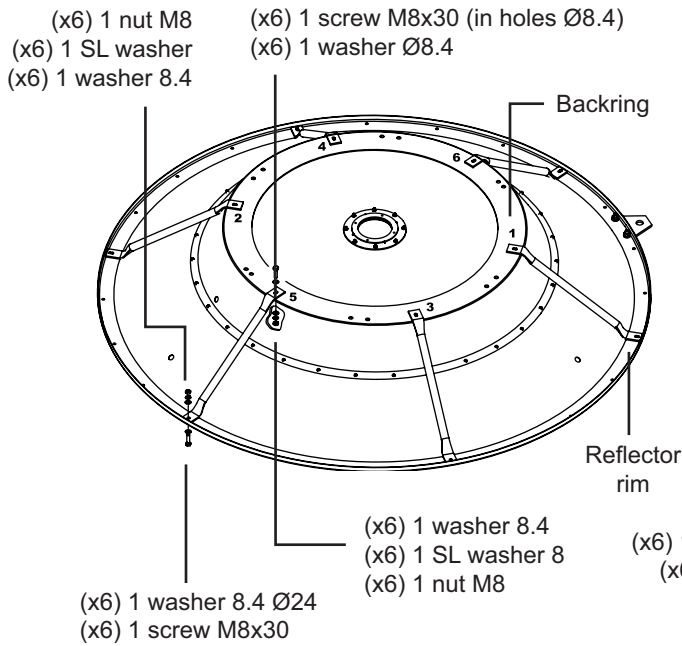
4. Assembly of the stiffening steel pipes

If the antenna is equipped with a shroud or hemispherical radome, you must install it before stiffening pipes installation. For hemispherical radomes, the 6 holes used for stiffening pipes attachment must be oversized to $\varnothing 9$ mm.

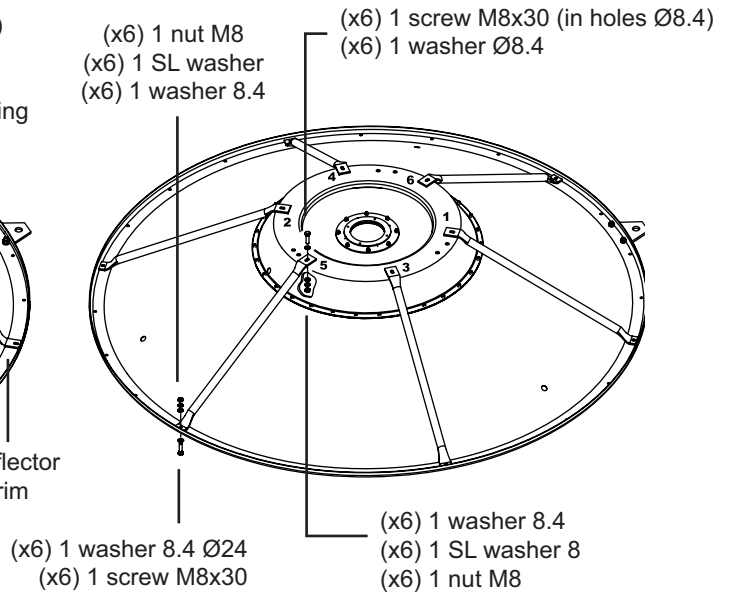
For antennas without shroud or radome, the stiffening pipes could be installed directly without particular order.

- Install the 6 steel pipes between the reflector rim and the backing, handtighten the nuts
- Handtighten the nuts in opposite diagonal
- After complete handtightening, torque tighten all bolted joints (refer to torque table joined)

Antenna with Standard Backring Kit : SMA-WK-6



Antenna with Advanced Backring Kit : SMA-WK-6A



5. Next instructions (See installation instructions supplied with the antenna)