

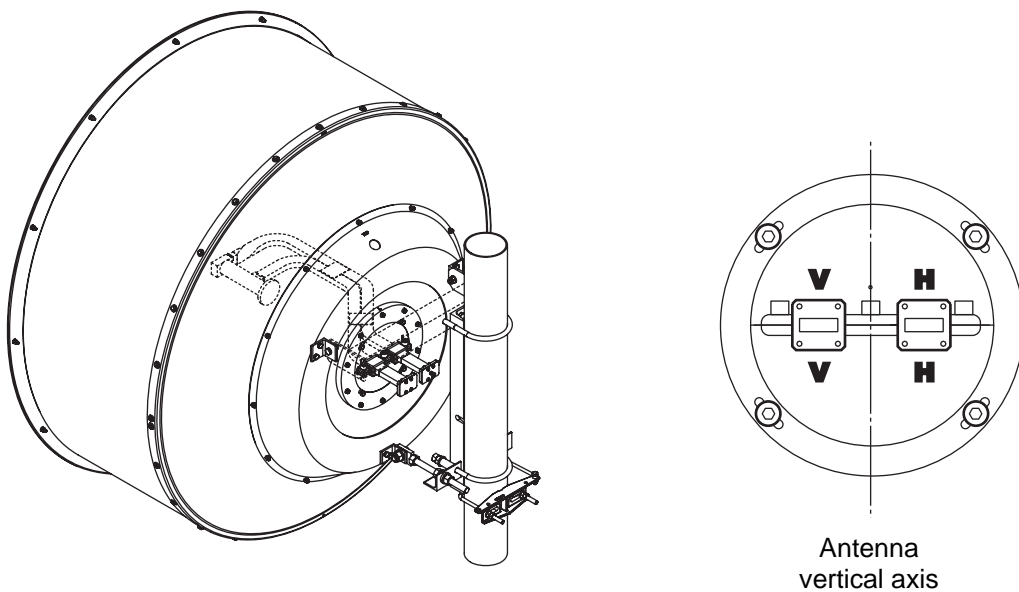
Feed system alternative orientation

NMT 590-00(e)

1. Description

As an alternative to the standard feed orientation described in the main installation instructions, the dual polarized feed systems delivered with antenna frequency codes 59 or 65, could be installed with H and V flanges aligned with the vertical axis. In that case the V and H flanges are inverted.

2. Standard feed system orientation (refer to main antenna install. instructions for more details)



3. Alternative feed system orientation if needed (warning the V and H ways are inverted)

