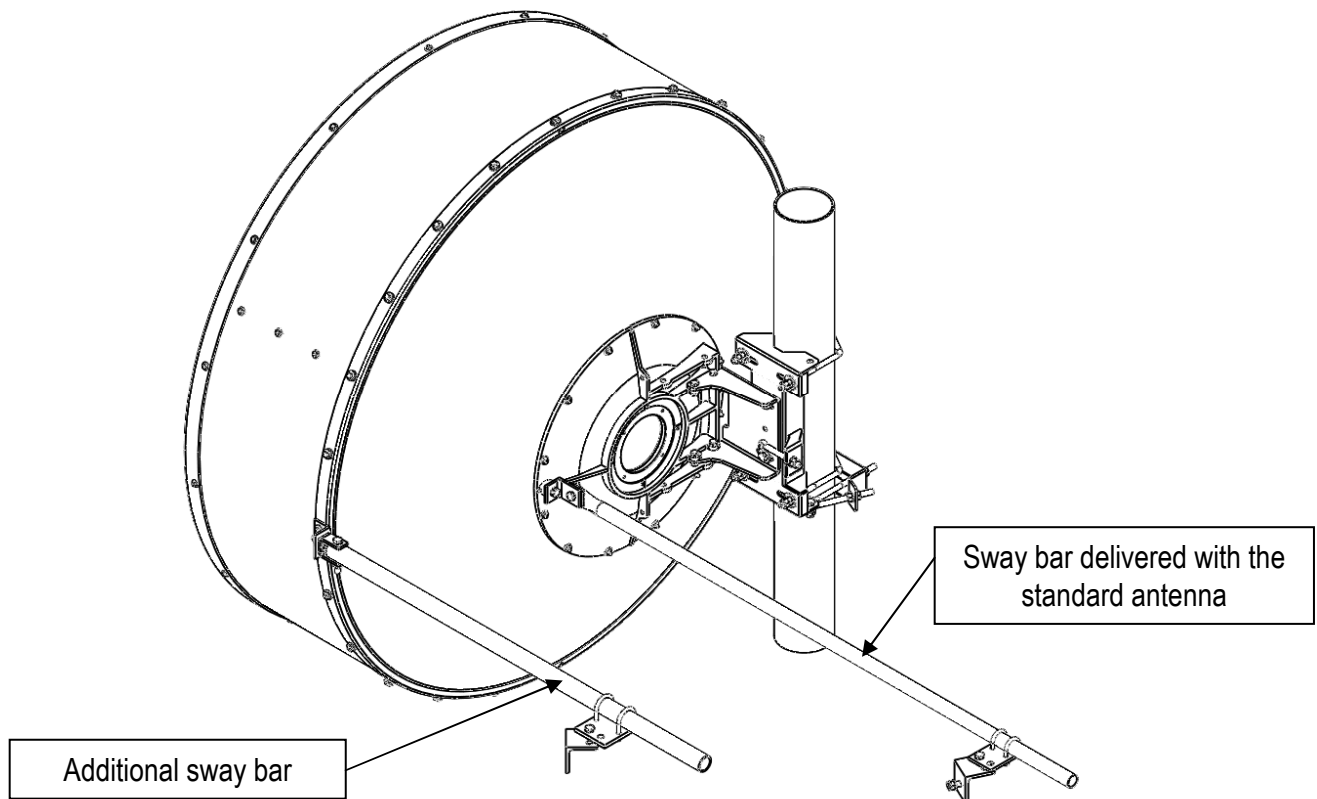


Kit : SMA-SK-4 (for SB4/SBX4)

NMT 732-00(e)

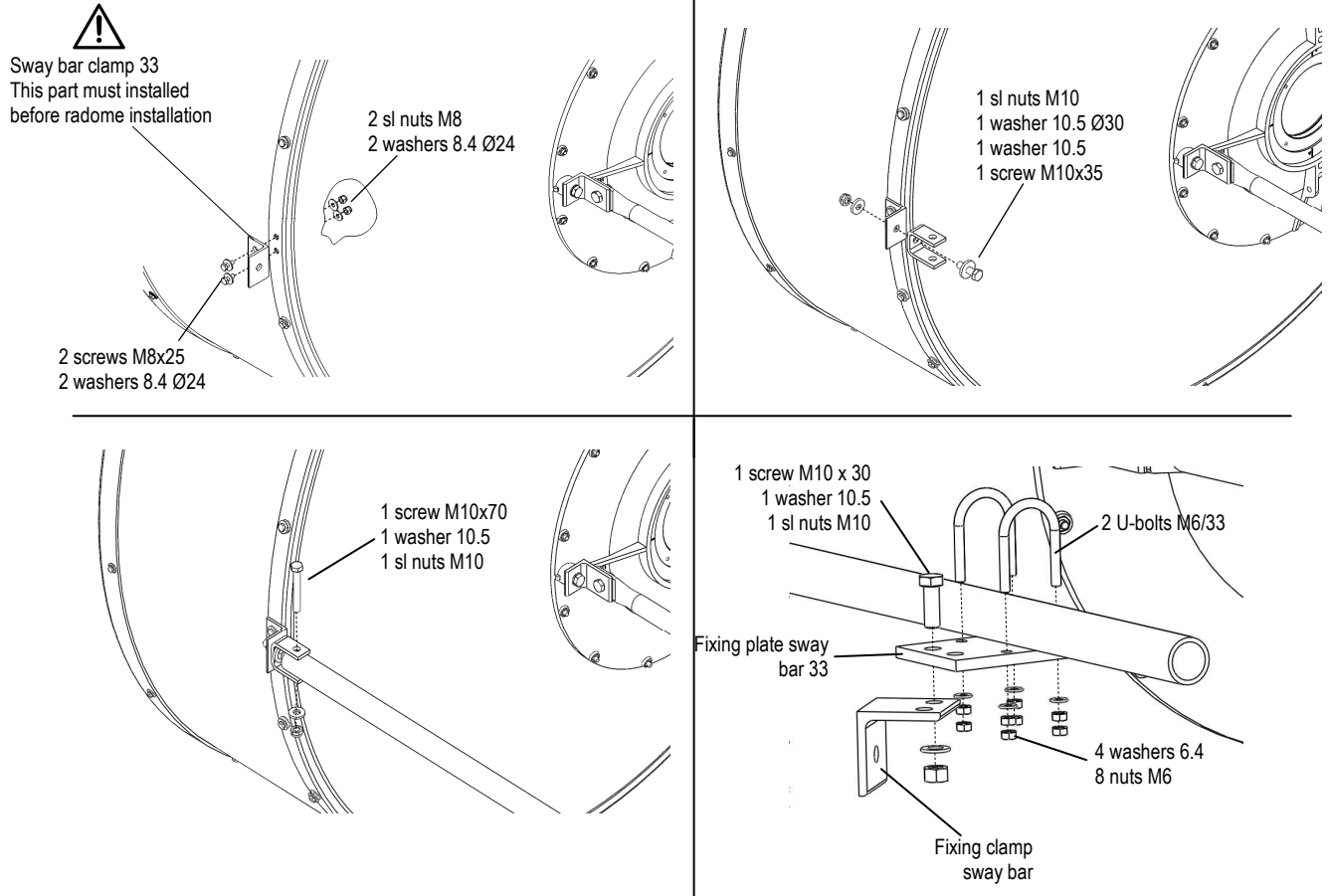
1. Description  
 Assembly SMA-SK-4 kit, additional hardware parts.  
 The sway bar must be fixed between the antenna and the tower, after azimuth and elevation adjustment. The sway bar is always fixed opposite to the pipe support.  
 For an antenna with a shroud, the sway bar clamp must be installed on the reflector before the installation of the radome.  
 This installation instruction shows the process for an antenna with an offset left, for an offset right, the sway bar is inverted.
2. Tools required for installation (Tools are not included with Kit)
  - Wrenches for hexagon bolts or nuts HM6 (10 mm), HM8 (13 mm), HM10 (17 mm)
  - Torque wrench (up to 35 Nm)
3. E-Mount 200 km/h configuration (also valid for 250 km/h version with the sway bar of 33 mm)



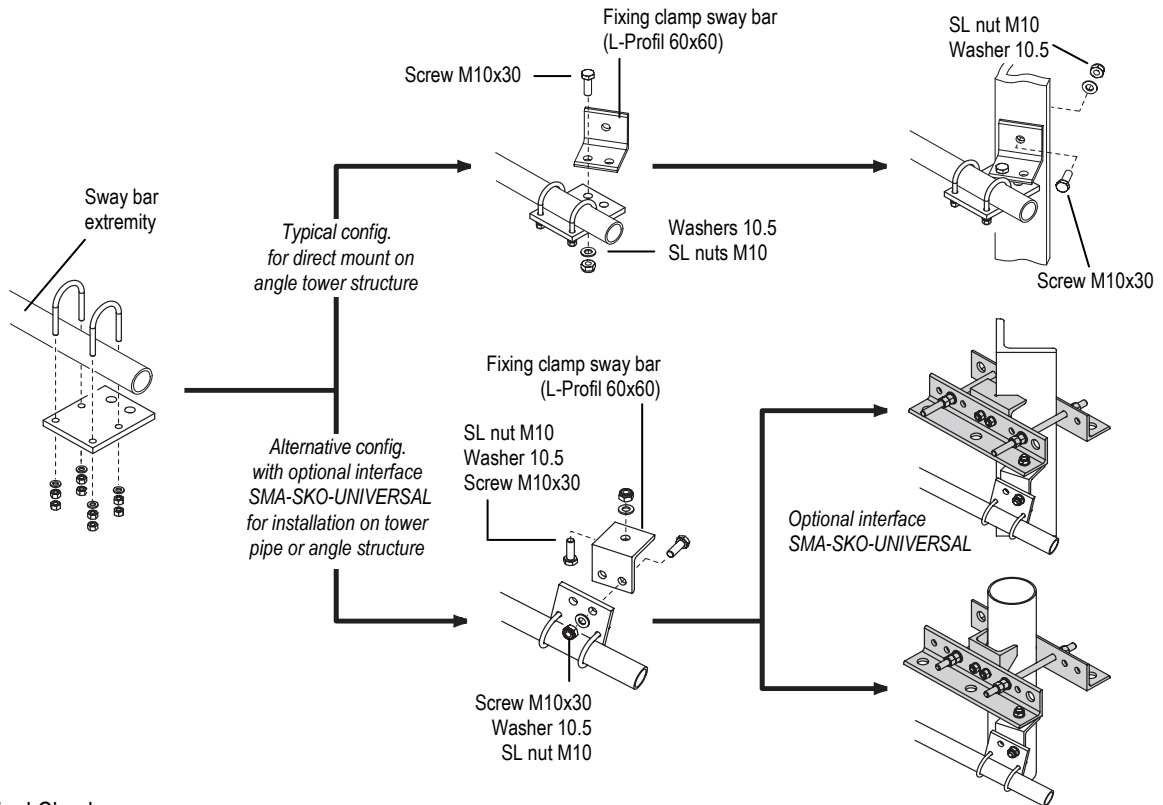
It is important to mount the antenna exactly as described in this addendum. The installed antenna shall be inspected once per year by qualified personnel. RFS disclaims any responsibility for the result of improper or unsafe installation. This installation instruction has been written for qualified, skilled personnel.

We reserve the right to alter details, especially with respect to technical improvement.

4. Assembly SMA-SK-4



5. Tower Connecting Kit (SMA-SKO-UNIVERSAL)



6. Final Check



When the installation of the antenna has been completed, it is necessary to make sure that the installation instructions of this addendum have been followed in all aspects. It is especially important to check that all bolted joints have been greased and are torque tightly locked.