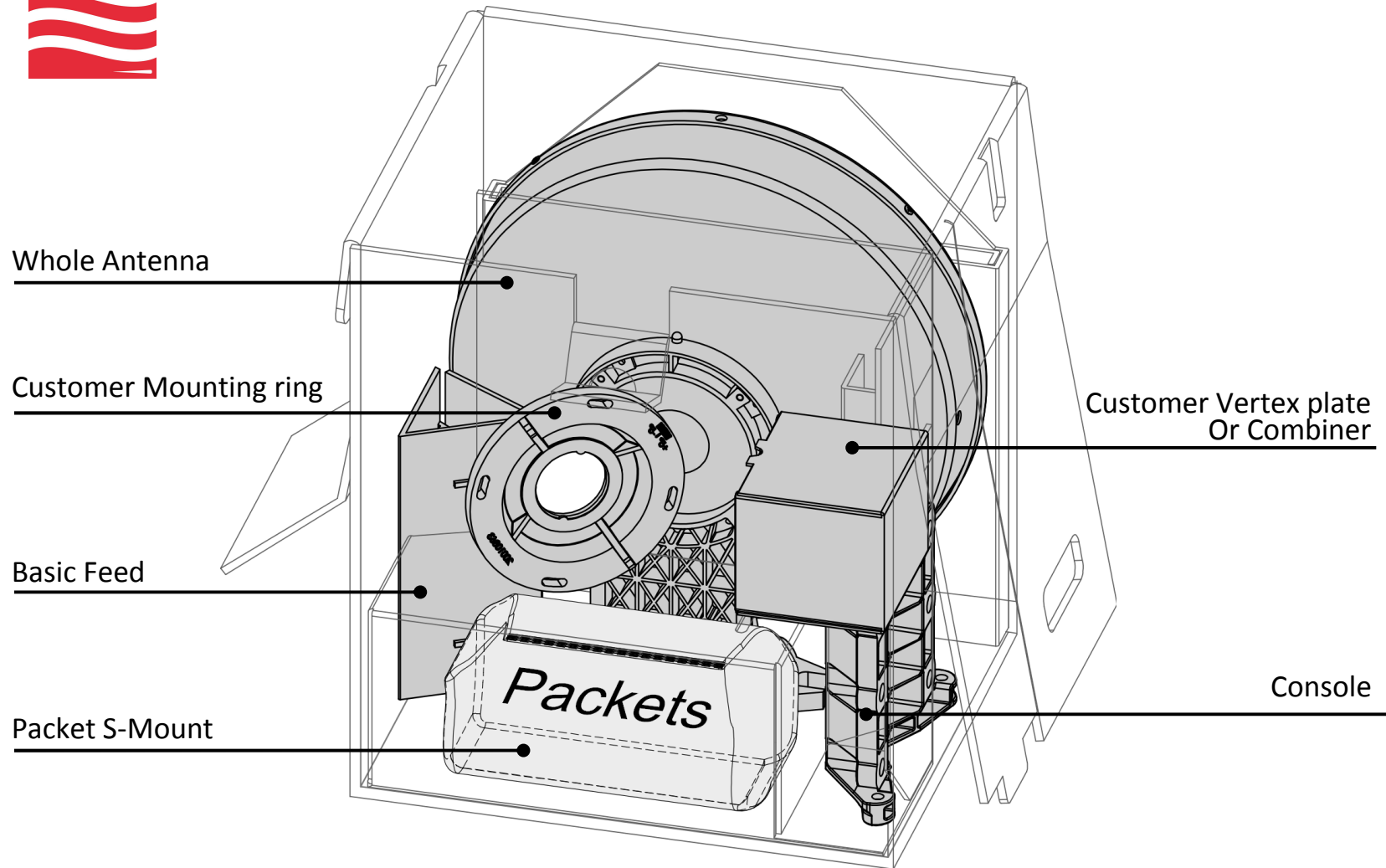
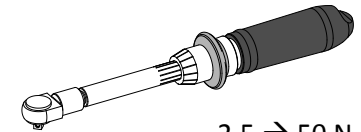


# SB1/SBX1 Antenna

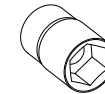
## Installation instruction



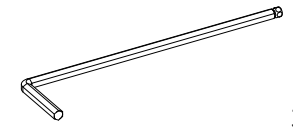
### Required tools



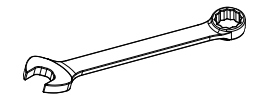
2.5 → 50 N.m



19-17-13-8



3-2,5



19-17-13-8



X1

 Grease

**It is important to mount the antenna exactly as described in this installation instruction.**

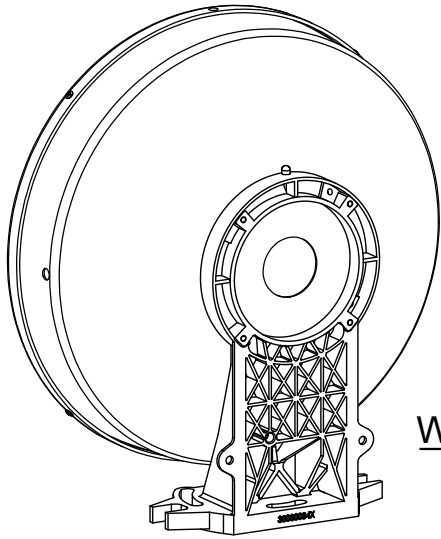
**The installed antenna shall be inspected once per year by qualified personnel.**

**RFS disclaims any responsibility for the result of improper or unsafe installation.**

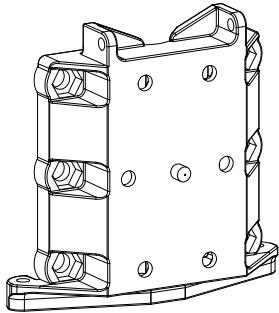
**This installation instruction has been written for qualified, skilled personnel.**

We reserve the right to alter details, especially with respect to technical improvement.

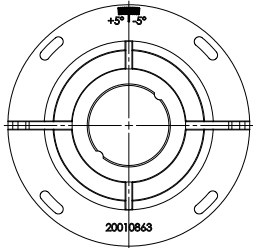
# SB1/SBX1 antenna Installation instruction



**Whole Antenna** —X1



**Console S-Mount** —X1



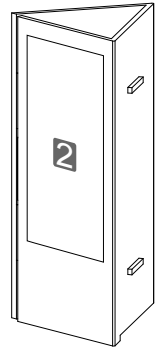
**Customer Mounting Ring** —X1



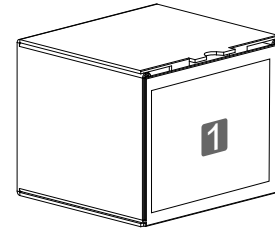
**Clamp Casting** —X2



**Protective Cap** —X1

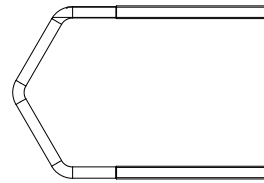


**Basic Feed** —X1

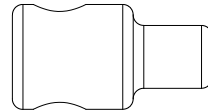


**Custom Vertex plate or SBX Combiner** —X1

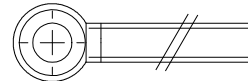
## Packets



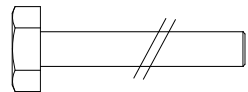
**V-Bolt M10** —X1



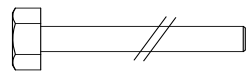
**Finger Drive** —X1



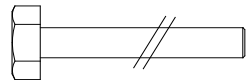
**Eye Bolt M8x180** —X1



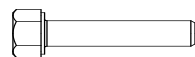
**M12 x 170** —X2



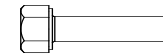
**M8 x 130** —X1



**M10 x 40** —X3



**M8 x 25** —X1



**M8 x 20** —X1



**M12 (a)** —X2



**M12 (b)** —X4



**M10** —X5



**M8** —X5



**W 10** —X5



**W 8** —X4



**13** —X2



**10.5** —X2



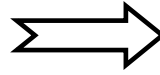
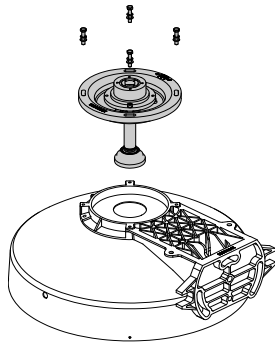
**L 8.4** —X3



**8.4** —X3

# SB1/SBX1 antenna Installation instruction

1

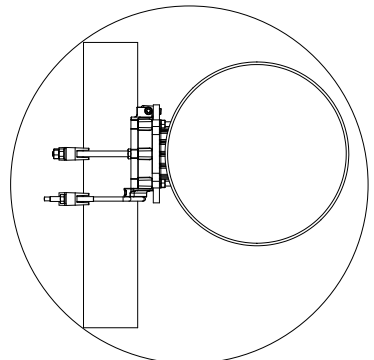
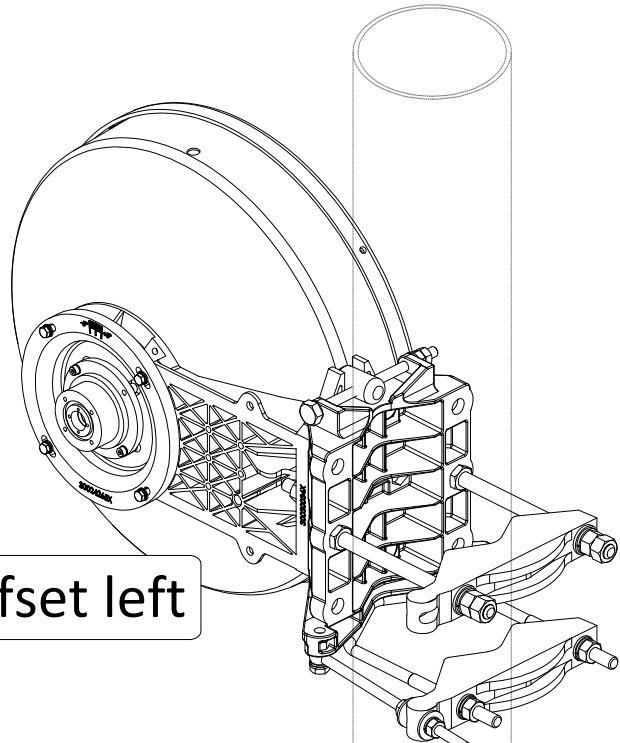


**SB1 feed**  
See dedicated  
Installation instruction

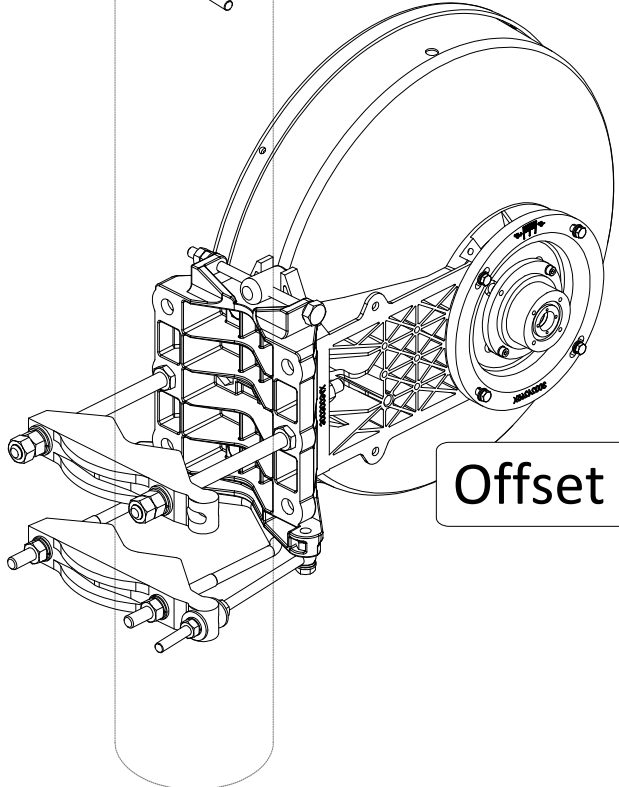
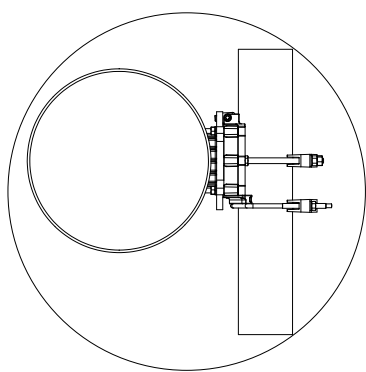
The feed has to be inserted with precaution to avoid any shock and damage

2

Offset left

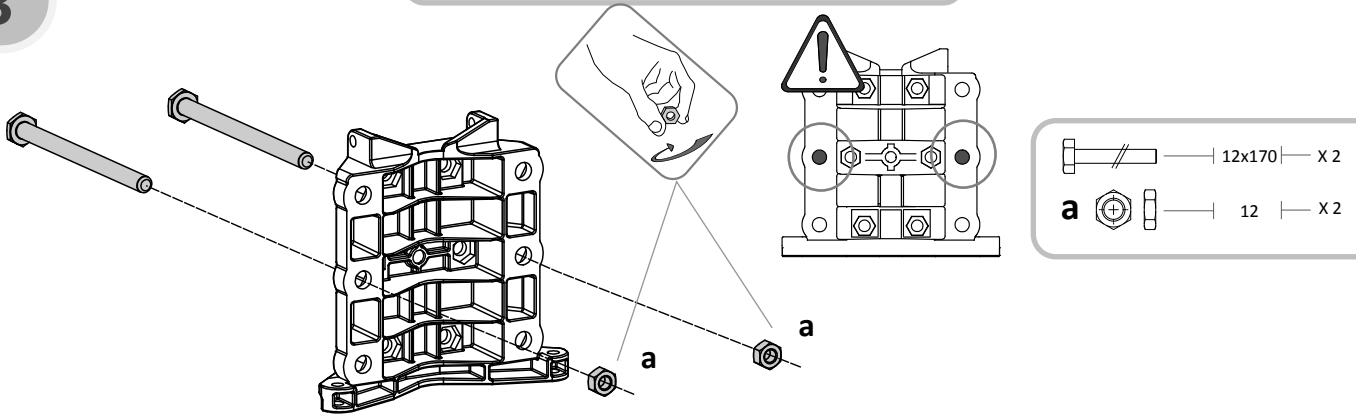


Offset right



# SB1/SBX1 antenna Installation instruction

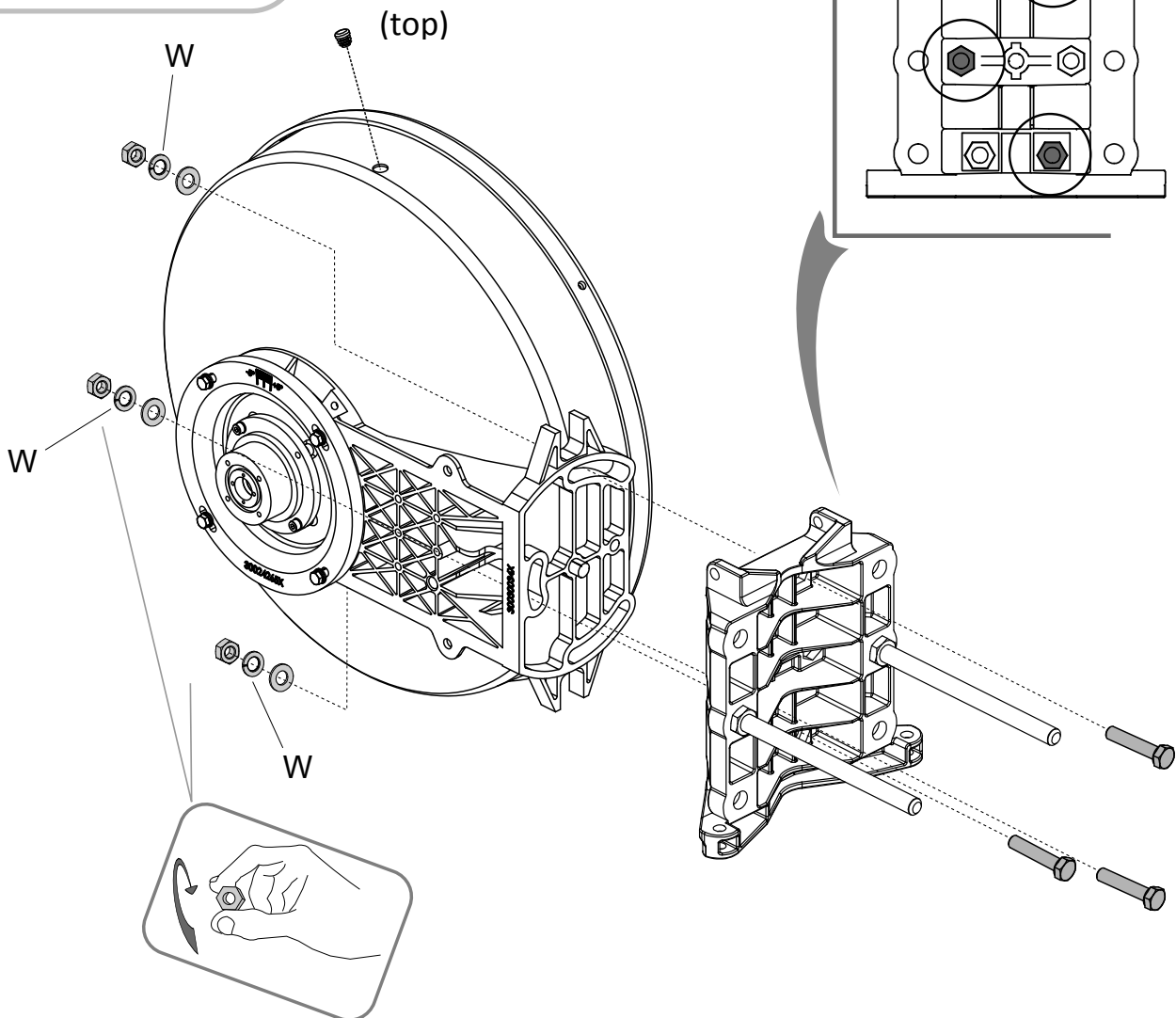
3



4

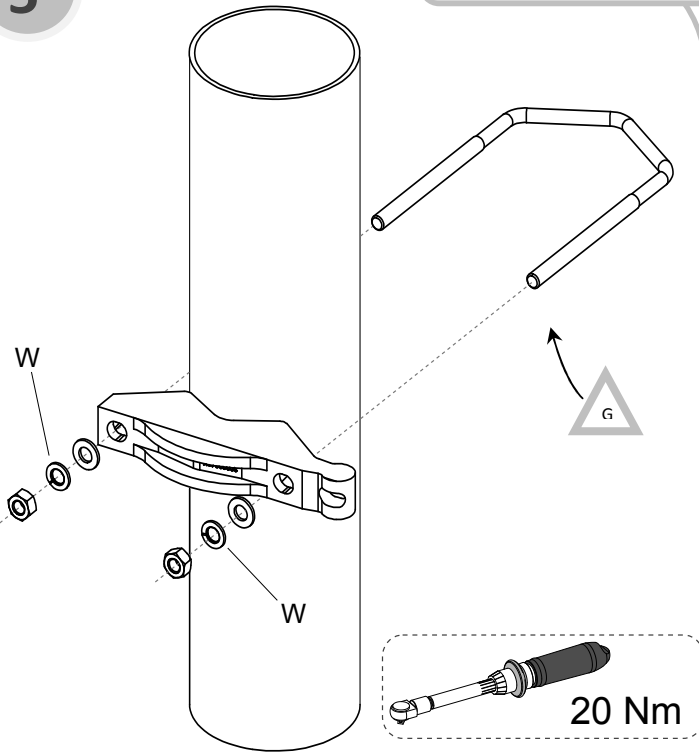
According to the antenna's orientation (Left or Right)

- 10x40 X3
- 10 X3
- W 10 X3
- 10.5 X3
- X1



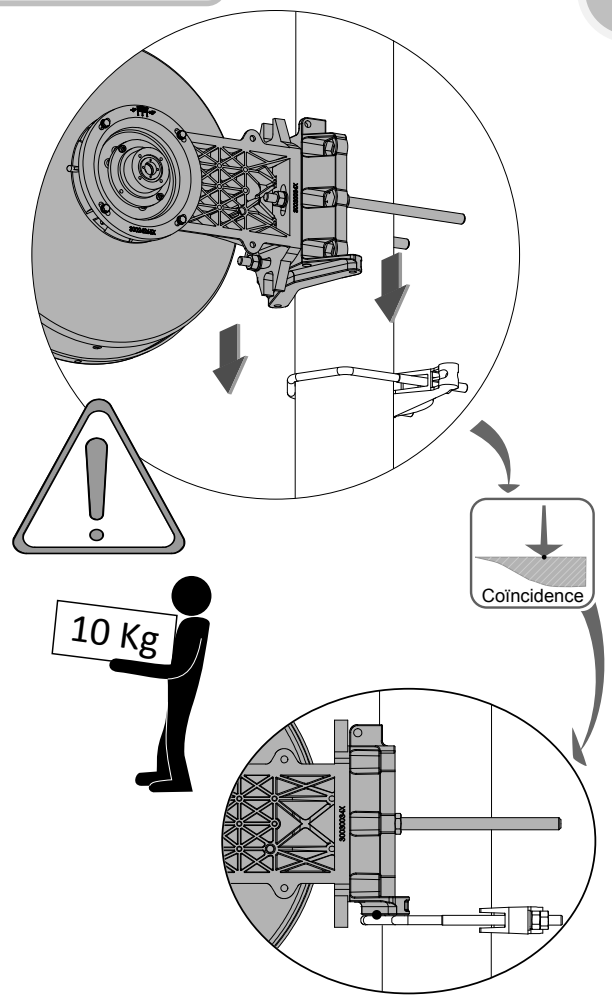
# SB1/SBX1 antenna Installation instruction

5

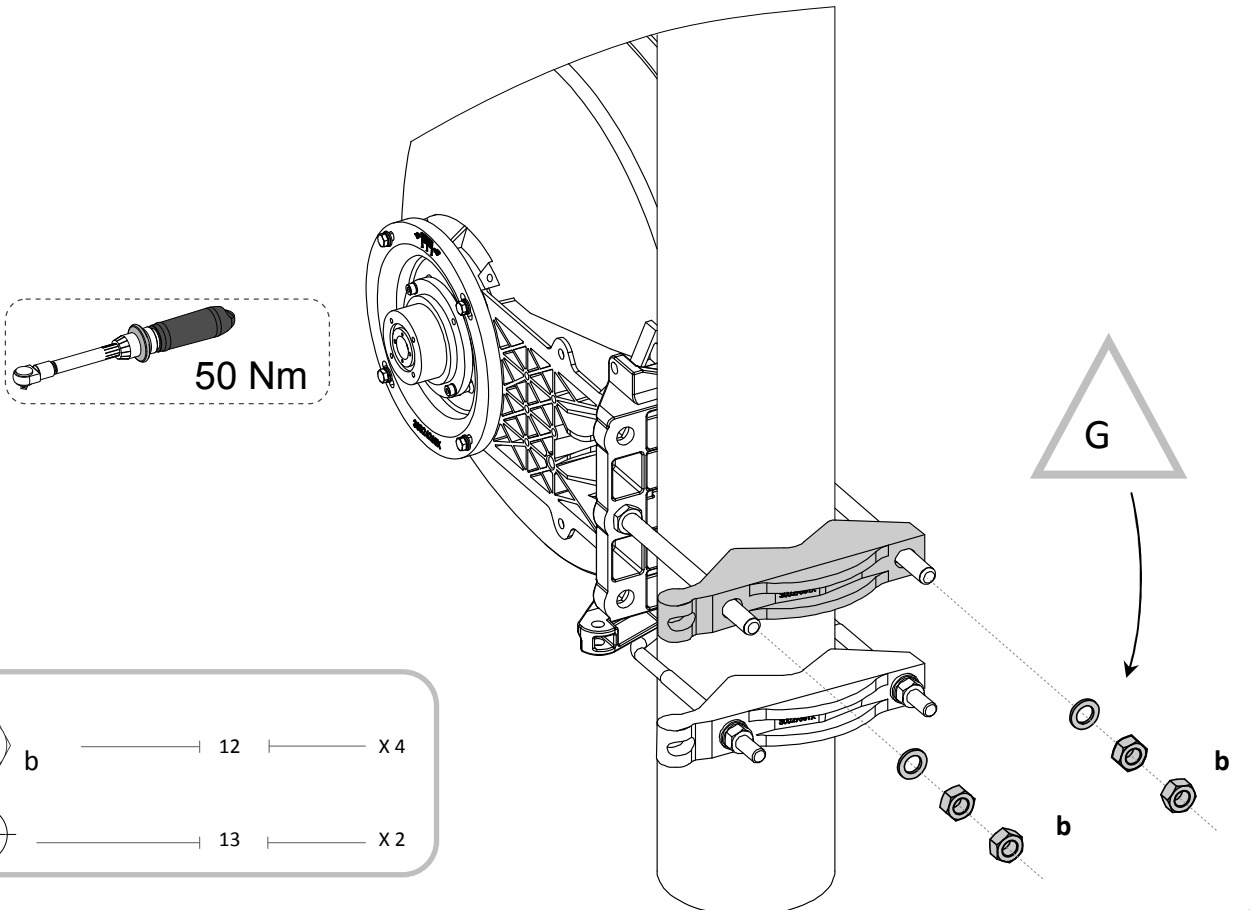


	10	X2
W	10	X2
	10.5	X2

6



7

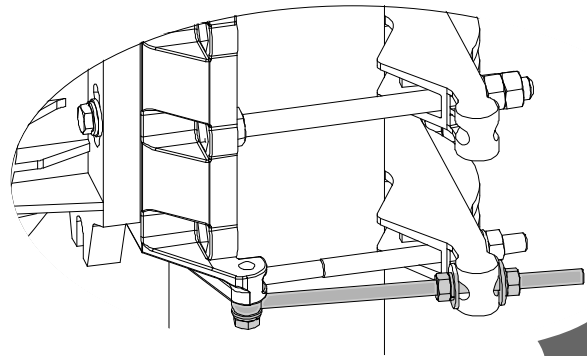
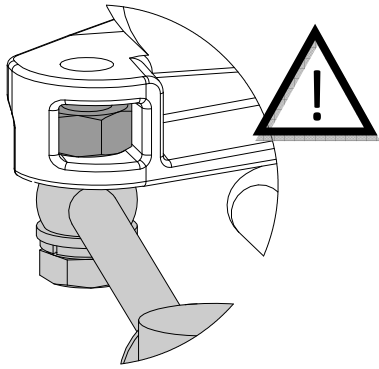


b	12	X4
	13	X2

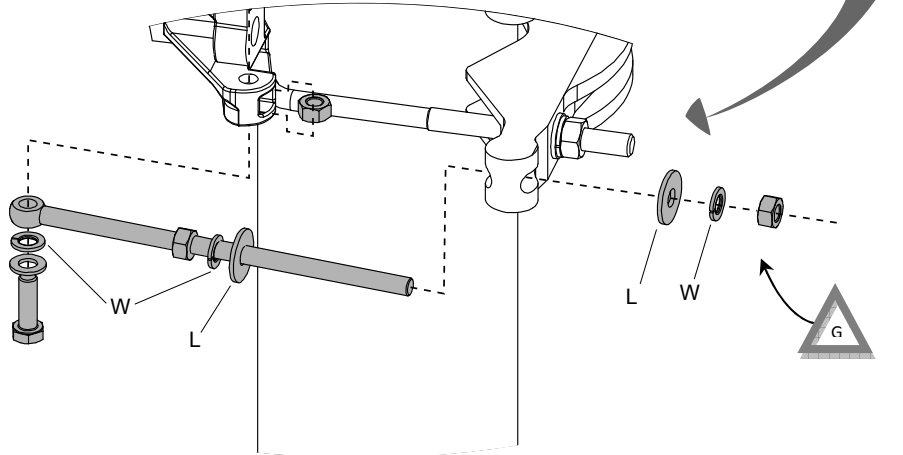
# SB1/SBX1 antenna

## Installation instruction

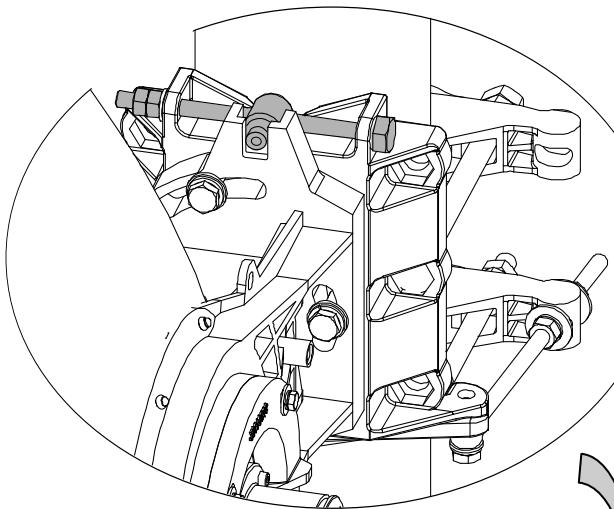
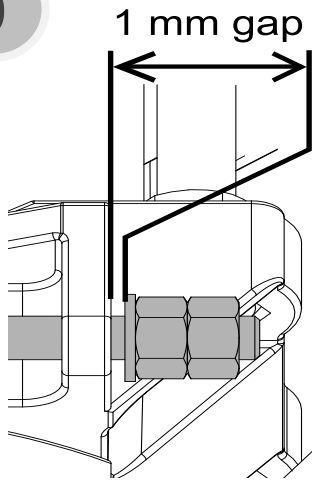
8



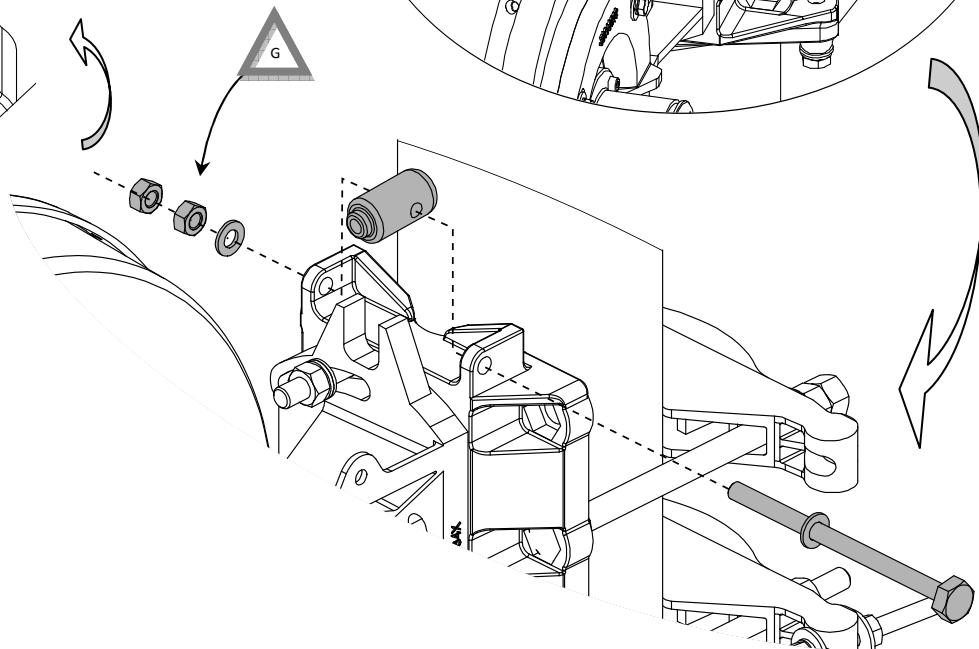
- 8x180 X 1
- 8x25 X 1
- 8 X 3
- W 8 X 3
- L 8.4 X 2
- 8.4 X 1



9

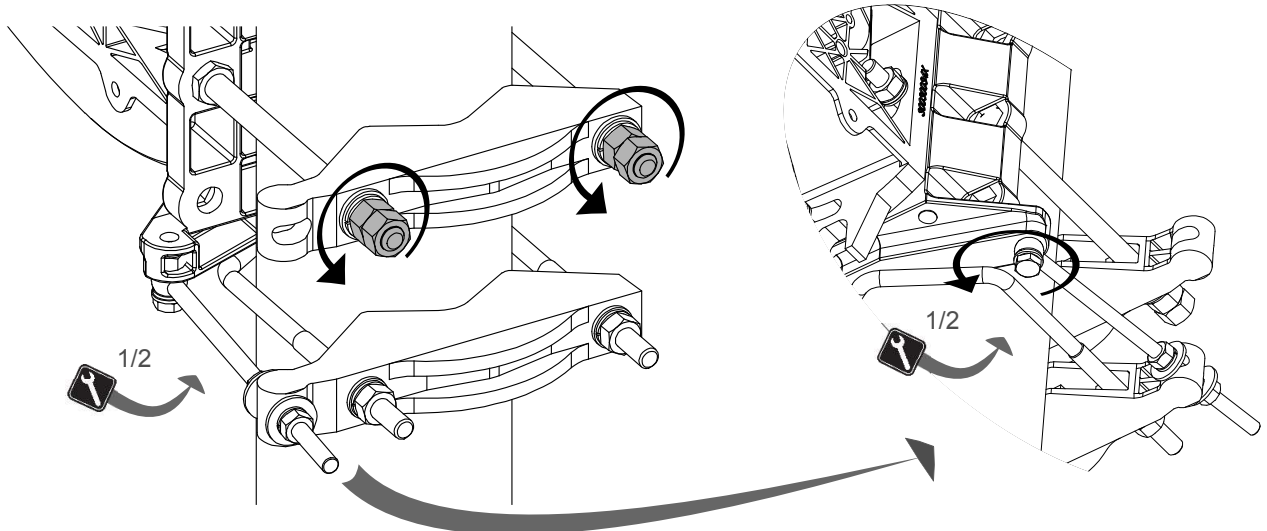


- X 1
- 8x130 X 1
- 8 X 2
- 8.4 X 2
- 8x20 X 1
- L 8.4 X 1
- W 8 X 1

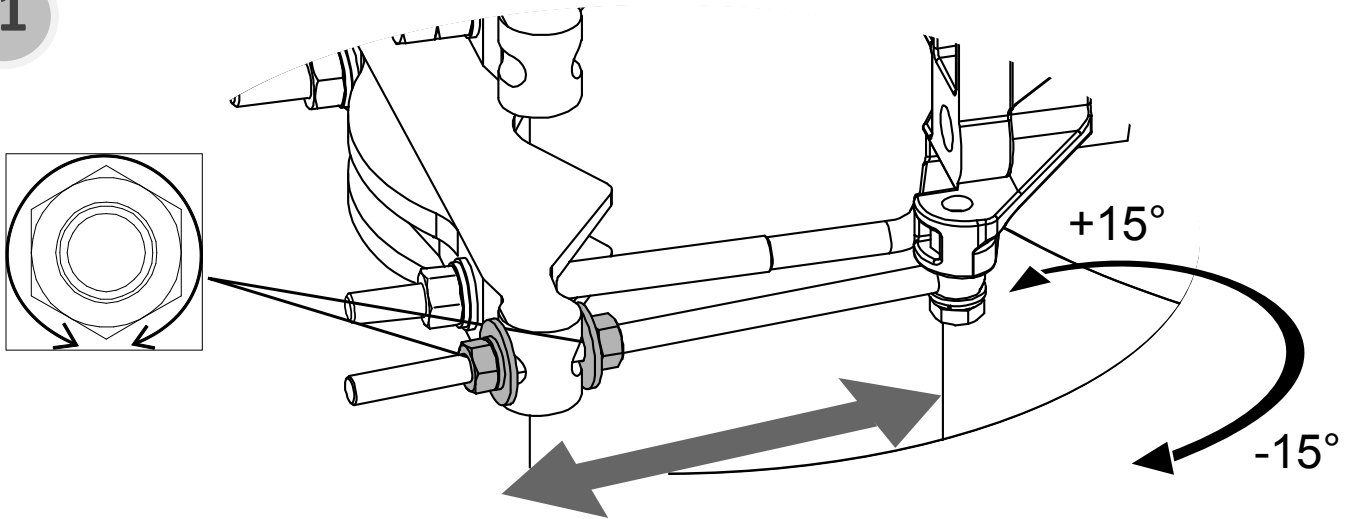


# Azimuth Adjustment

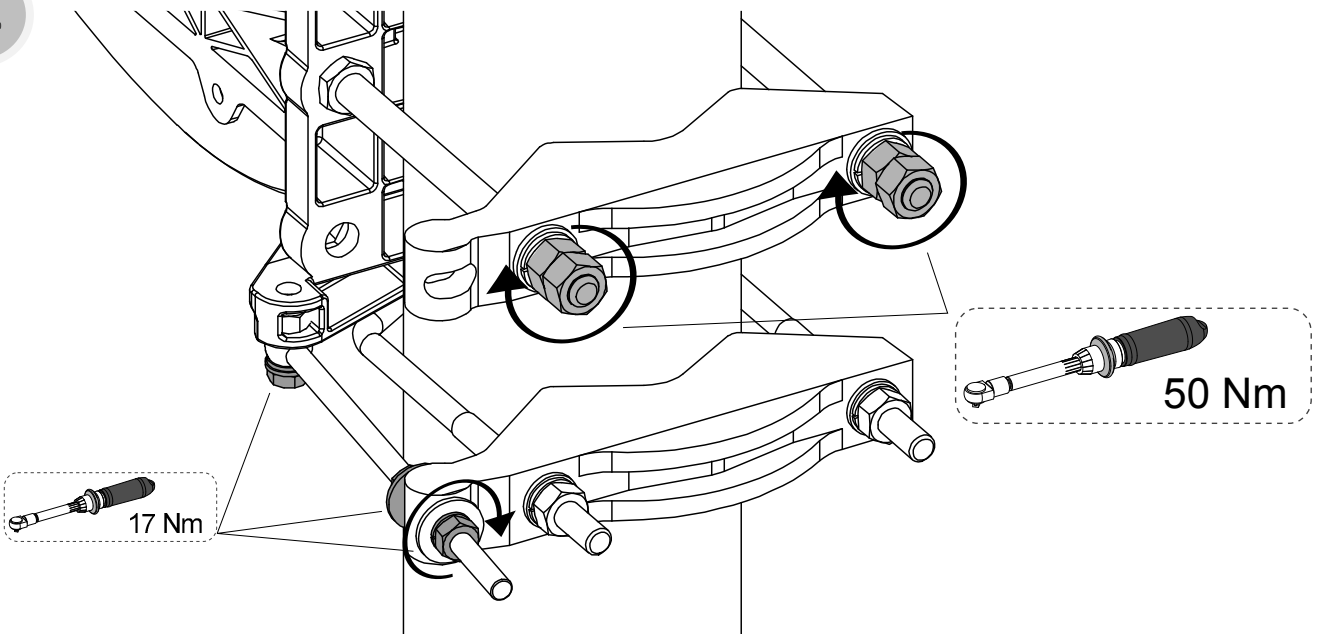
10



11

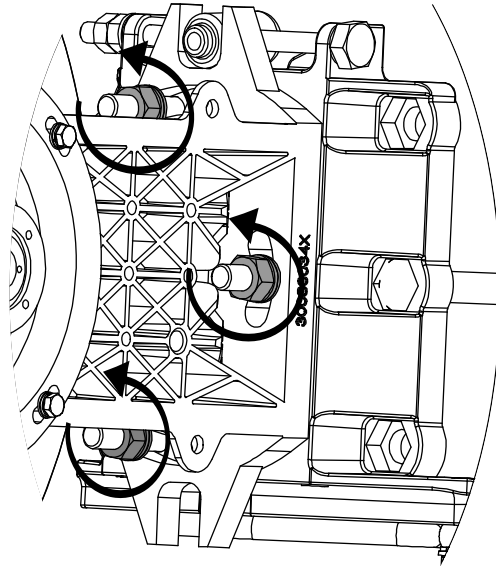


12

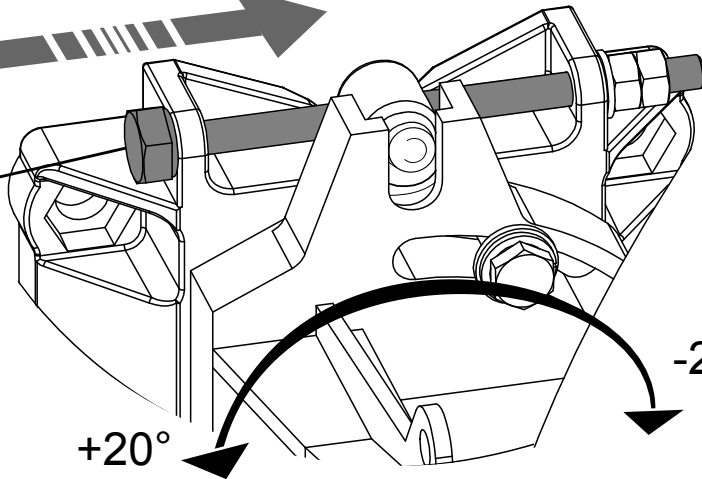
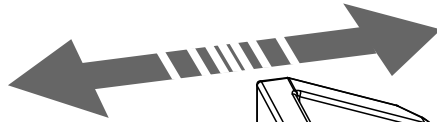
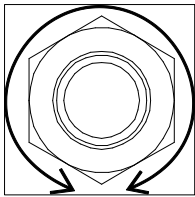


# Elevation Adjustment

13



14



15

