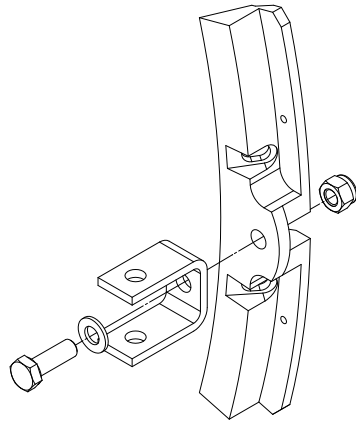


NMT 823-00

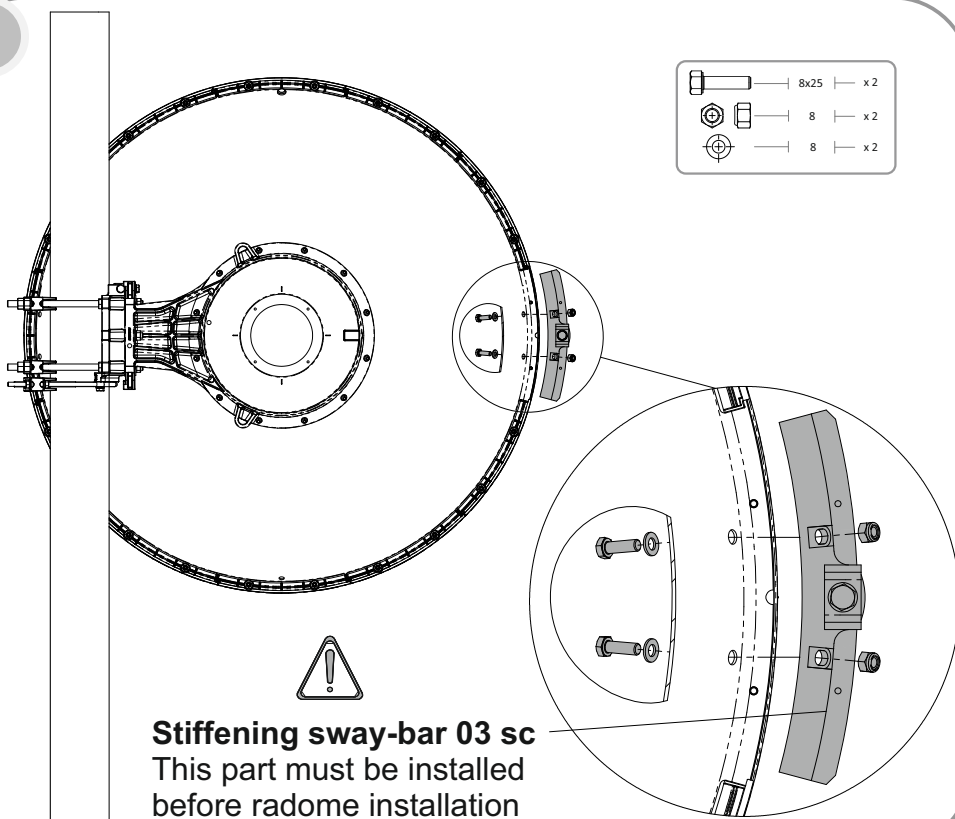
1

	10x30	x 1
	10	x 1
	10.5	x 1



2

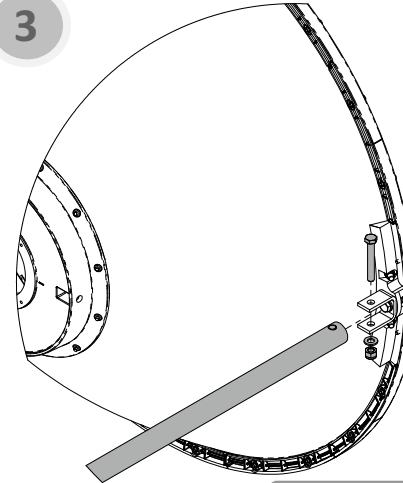
	8x25	x 2
	8	x 2
	8	x 2



NMT 823-00

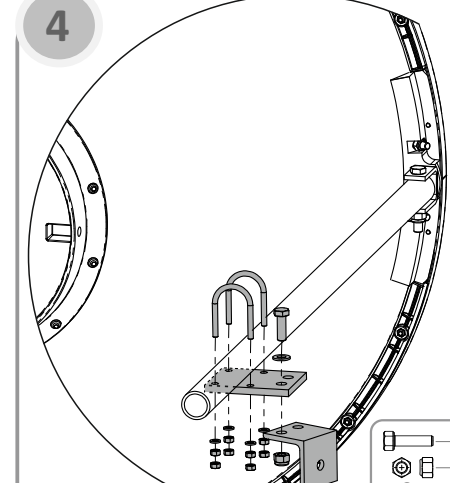
3

	10x70	x 1
	10	x 1
	10	x 1

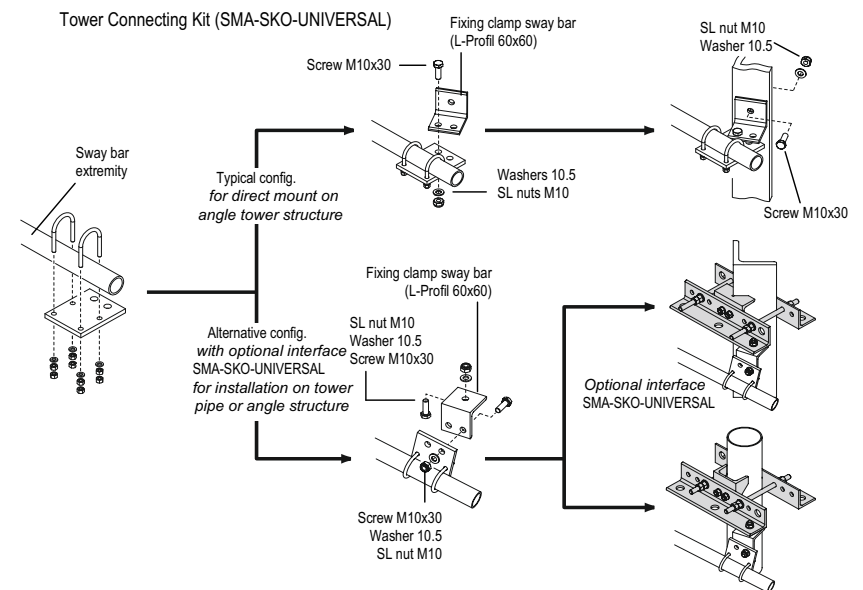


4

	10x30	x 1
	10	x 1
	10	x 1
	6	x 4
	6	x 8



5



When the installation of the antenna has been completed, it is necessary to make sure that the installation instructions of this addendum have been followed in all aspects. It is especially important to check that all bolted joints greased and are torque tightly locked.