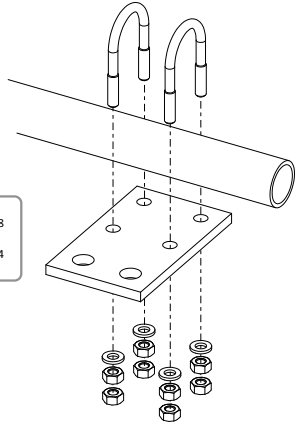


Swaybar Tower Kit Option

SMA-SK-OMT-SCX2 Installation Instruction

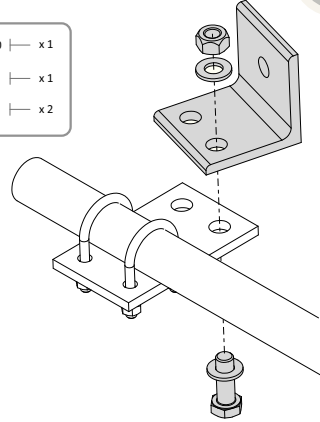
1



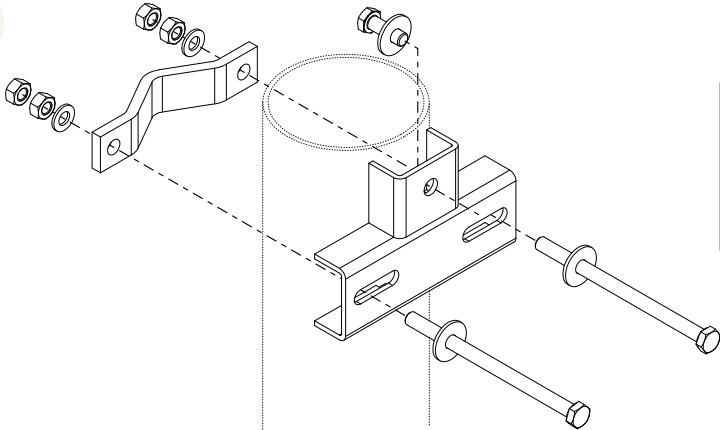
- 6 x 8
- 6.4 x 4

- 10x30 x 1
- 10 x 1
- 10.5 x 2

2

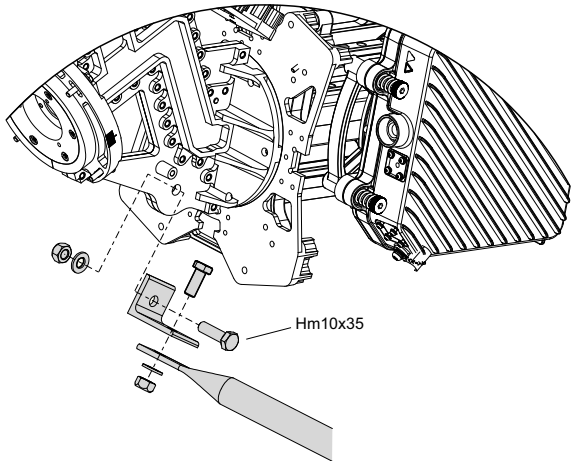


3



- 10x160 x 2
- 10x30 x 2
- 10 x 4
- 10.5 x 3
- 10.5 x 2

4



Hm10x35

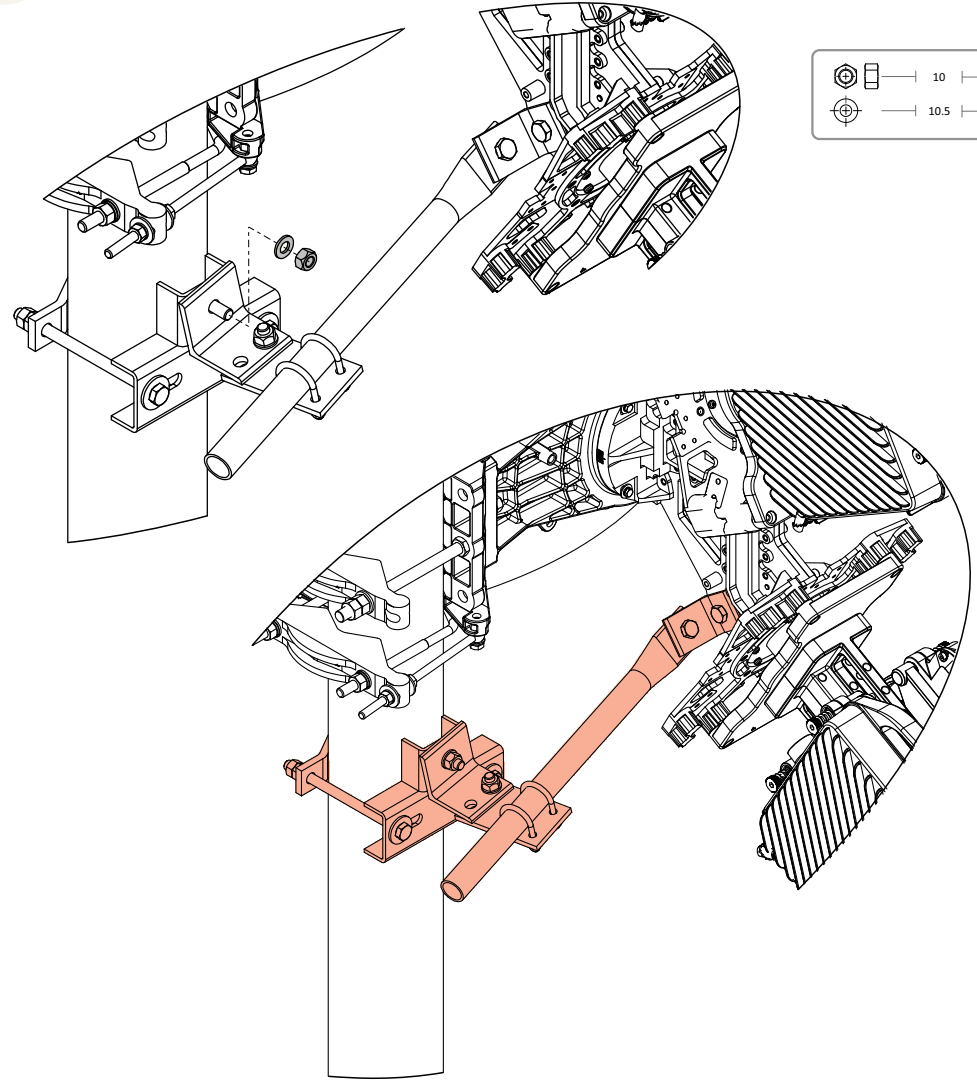
- 10x35 x 1
- 10x25 x 1
- 10 x 2
- 10.5 x 2

Swaybar Tower Kit Option

SMA-SK-OMT-SCX2 Installation Instruction



5



- 10 x 1
- 10.5 x 1

It is important to mount the antenna exactly as described in this addendum. The installed antenna shall be inspected once per year by qualified personnel. RFS disclaims any responsibility for the result of improper or unsafe installation. This installation instruction has been written for qualified, skilled personnel.

We reserve the right to alter details, especially with respect to technical improvement.