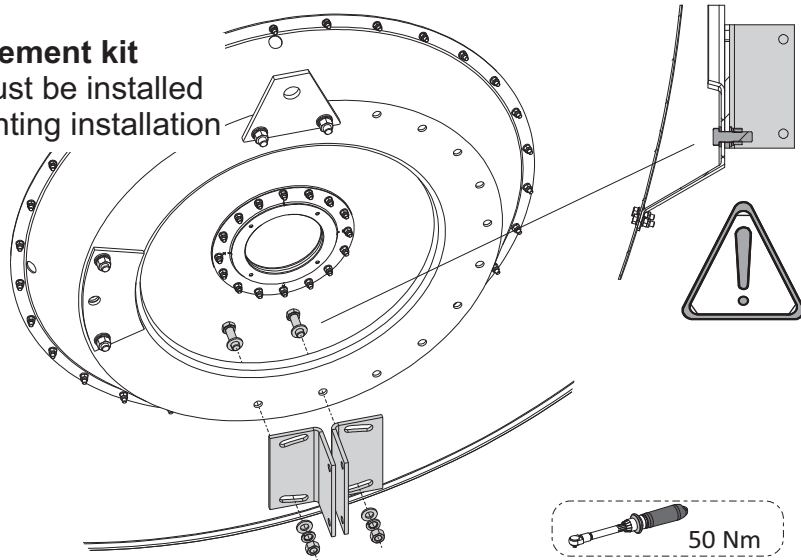


NMT 842-00

1

6ft reinforcement kit

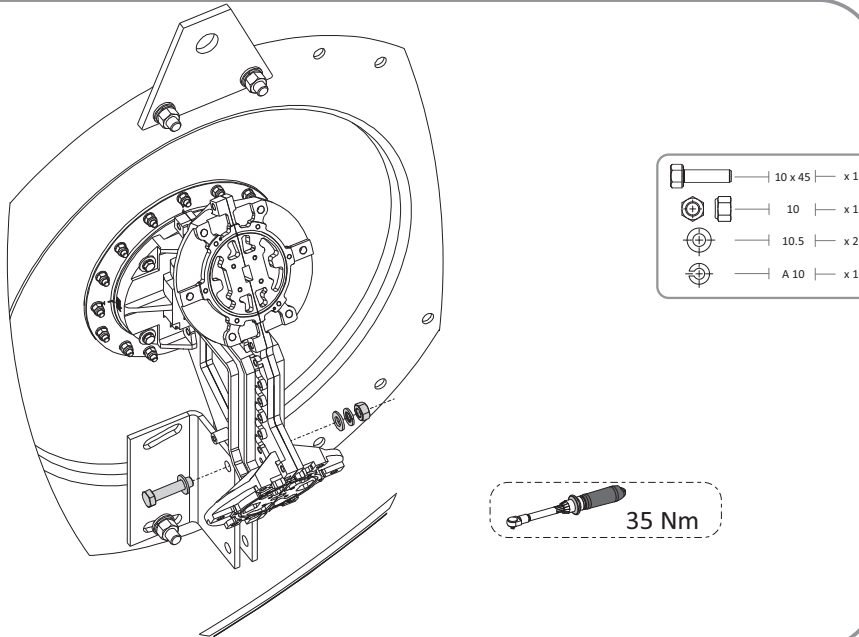
This part must be installed before mounting installation



	12 x 40	x 2
	12	x 2
	13	x 4
	A 12	x 2

50 Nm

2



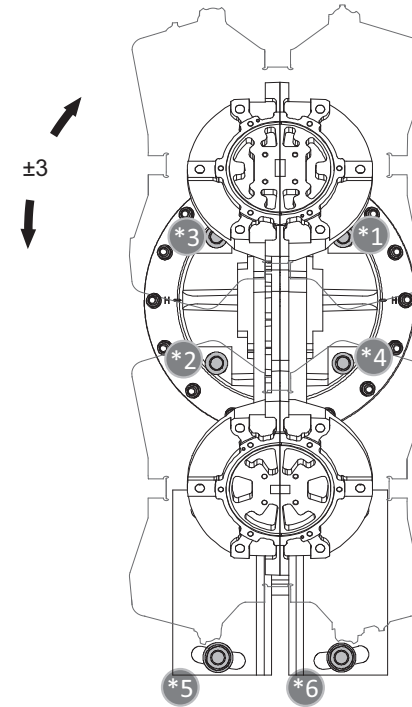
	10 x 45	x 1
	10	x 1
	10.5	x 2
	A 10	x 1

35 Nm

NMT 842-00

3

Polarization adjustment

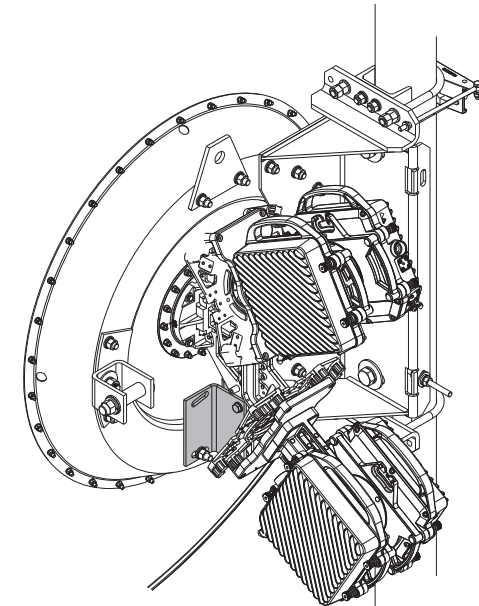


±3

±3

* Tightening order

4



When the installation of the antenna has been completed, it is necessary to make sure that the installation instruction of this kit has been followed in all aspects. It is especially important to check that all bolted are torque tightly locked.