



Radio Frequency Systems line of high-performance HELIFLEX® coaxial cable connectors are characterized by excellent gas tightness and extremely low losses. HELIFLEX® connectors can be installed with basic hand tools. Tab flare of outer connection and use of o-ring sealing simplifies installation of the connector.

RFS connectors are fully tested for mechanical and electrical compliance to specifications. HELIFLEX® connectors have excellent electrical values and provide outstanding performance for the most demanding applications. The RFS connector design provides maximum sealing integrity and gas tightness.

FEATURES / BENEFITS

- Easy installation utilizing only basic hand tools.
- Tab flare of outer contact attachment means quick and simple installation.
- No need for sealing compound. The connector is ready for pressurization immediately after installed to the cable.
- Excellent gas tightness. Overpressure for increased voltage handling is maintained throughout the system.
- Outstanding VSWR performance improves overall system performance.
- Totally waterproof, assures safe, long term operation in the harshest of environments.
- RoHS (EU) and CRoHS (China) compliant, can be used on a global basis.



318EIA Connector for HCA400 Cable

External Document Links

[Installation Instruction](#)

Notes

- 1) The connector is converted to gas pass by drilling through the pilot hole in the insulator.
 - 2) Connector model with -019KT suffix denote connectors that are supplied with an inner connector and flange hardware.
- Connector model -019 does not include an inner connector and flange hardware.

Technical features

GENERAL SPECIFICATIONS

Transmission Line Type		Coaxial Cable
Cable Size		4"
Cable Type		Air Dielectric
Model Series		HCA400-50 Series
Connector Interface		3-1/8" EIA
Connector Type		Gas stop /Gas pass - See Note 1)
Sealing Method		O-ring seal
Gender		Female - See Note 2)

ELECTRICAL SPECIFICATIONS

Insertion loss	dB	< 0.05dB
VSWR, Return Loss	VSWR (dB)	0 <f ≤ 860 MHz: 1.02 (40) 860 MHz <f ≤ 1.5 GHz: 1.05 (32)

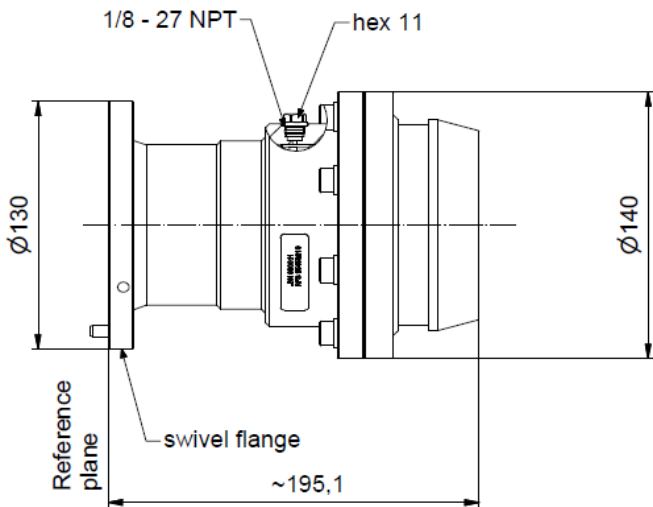
MECHANICAL SPECIFICATIONS

Plating Outer/Inner		Tri Plate/Silver
Length	mm (in)	195 (7.7)
Outer Diameter	mm (in)	140 (5.5)
Outer Contact Attachment		Tab Flare



318EIA-HCA400-019

3-1/8" EIA Connector for 4" Coaxial Cable, Gas stop/ Gas pass,O-Ring Sealing



318EIA-HC400-019 connector, dimensions in mm