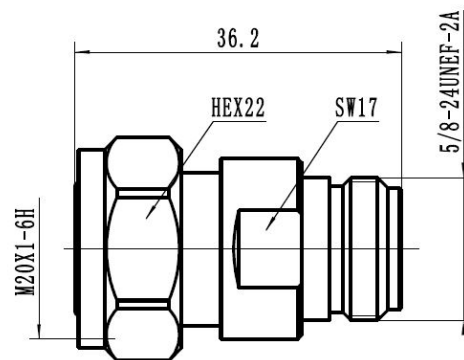




Coaxial Adapter, 4.3-10 Male / N Female

FEATURES / BENEFITS



Technical features

STRUCTURE

Product Line		Coaxial Cable Components
Product Type		Coaxial Adapter

MECHANICAL SPECIFICATIONS

Connector A		4.3-10 Male
Center Contact Connector A		Brass, silver plated
Outer Contact Connector A		Brass, CuSnZn plated
Connector B		N Female
Center Contact Connector B		Spring Bronze, Silver plated
Outer Contact Connector B		Brass, CuSnZn plated
Dielectric		PTFE
Sealing class		IP68, connected

ELECTRICAL SPECIFICATIONS

Frequency Range - MHz		DC - 6000
VSWR, Return Loss	VSWR (dB)	0-3000 MHz: 1.06 (30.71) 3000-6000 MHz: 1.10 (26.44)
Insertion Loss, dB (Max)	dB	0.1
3rd Order IM Product @ 2x20 Watts	dBc	-163
Power Rating	kW	0.5

TEMPERATURE SPECIFICATIONS

Operation Temperature	°C (°F)	-45 to 85 (-49 to 185)
-----------------------	---------	------------------------

PACKAGING INFORMATION

Package Quantity		1
------------------	--	---

External Document Links

Notes