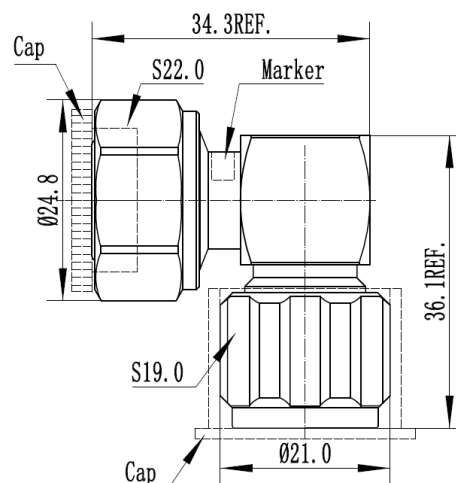




Coaxial Adapter 4.3-10 male, right angle - N Male

**FEATURES / BENEFITS**



**Technical features**

**STRUCTURE**

Product Line		Coaxial Cable Components
Product Type		Coaxial Adapter

**MECHANICAL SPECIFICATIONS**

Connector A		4.3-10 Male
Center Contact Connector A		Brass, silver plated
Outer Contact Connector A		Brass, Tri metal plated
Connector B		N Male
Center Contact Connector B		Brass, silver plated
Outer Contact Connector B		Brass, Tri metal plated
Dielectric		PTFE
Gasket		Silicone rubber
Sealing class		IP68, connected

**ELECTRICAL SPECIFICATIONS**

Frequency Range - MHz		DC - 6000
VSWR, Return Loss	VSWR (dB)	0 TO 2 GHz VSWR 1.05 (32.25)
		2 TO 3 GHz VSWR 1.08 (28.3)
		3 TO 6 GHz VSWR 1.12 (24.94)
Insertion Loss, dB (Max)	dB	0.05
3rd Order IM Product @ 2x20 Watts	dBc	-163

**TEMPERATURE SPECIFICATIONS**

Operation Temperature	°C (°F)	-40 to 85 (-40 to 185)
-----------------------	---------	------------------------

**PACKAGING INFORMATION**

Package Quantity		1
------------------	--	---

External Document Links

Notes