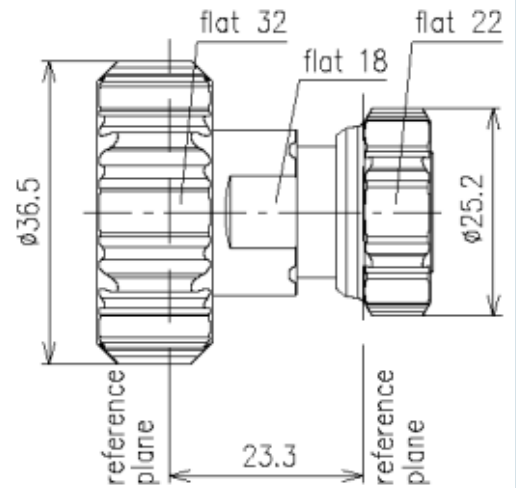




Coaxial Adapter, 7-16 Male / 4.3-10 Male

**FEATURES / BENEFITS**



**Technical features**

**STRUCTURE**

Product Line		Coaxial Cable Components
Product Type		Coaxial Adapter

**MECHANICAL SPECIFICATIONS**

Connector A		7-16 DIN Male
Center Contact Connector A		Brass, Silver plated
Outer Contact Connector A		Brass, Tri metall alloy plated
Connector B		4.3-10 Male
Center Contact Connector B		Brass, Silver plated
Outer Contact Connector B		Brass, Tri metal alloy plated
Dielectric		PTFE
Gasket		Silicone rubber
Sealing class		IP68, connected

**ELECTRICAL SPECIFICATIONS**

Frequency Range - MHz		DC - 6000
VSWR, Return Loss	VSWR (dB)	DC - 2000 MHz: 1.04 (34.15) 2000 - 3000 MHz: 1.06 (30.71) 3000 - 6000 MHz: 1.10 (26.44)
Insertion Loss, dB (Max)	dB	0.05
3rd Order IM Product @ 2x20 Watts	dBc	< -163

**TEMPERATURE SPECIFICATIONS**

Operation Temperature	°C (°F)	-45 to 85 (-49 to 185)
-----------------------	---------	------------------------

**PACKAGING INFORMATION**

Package Quantity		1
------------------	--	---

External Document Links

Notes