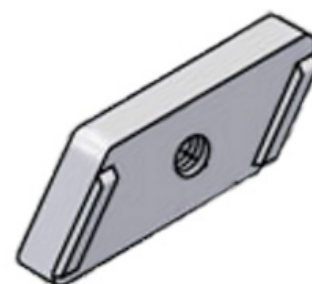




Clamping plate with M4 thread made of aluminium for fixation onto Anchor Bar A7 profile

FEATURES / BENEFITS

- Lateral lugs for easy handling during installation



External Document Links

Notes

Technical features

GENERAL SPECIFICATIONS

Product Line		Coaxial Cable Accessories Radiating Cable Accessories
Product Type		Hanger
Hanger Type		Clamping plate for anchor bar
Installation Hardware Type		Anchor bar with slotwidth 18 to 22 mm (0.7 to 0.9 inch)
Cable Type		Coaxial Foam Dielectric Radiating Cable

MECHANICAL SPECIFICATIONS

Number of Cable / Waveguide Runs		1
Material		Aluminium

TEMPERATURE SPECIFICATIONS

Installation Temperature	°C (°F)	-50 to 85 (-58 to 185)
Operation Temperature	°C (°F)	-50 to 85 (-58 to 185)
Storage Temperature	°C (°F)	-50 to 85 (-58 to 185)

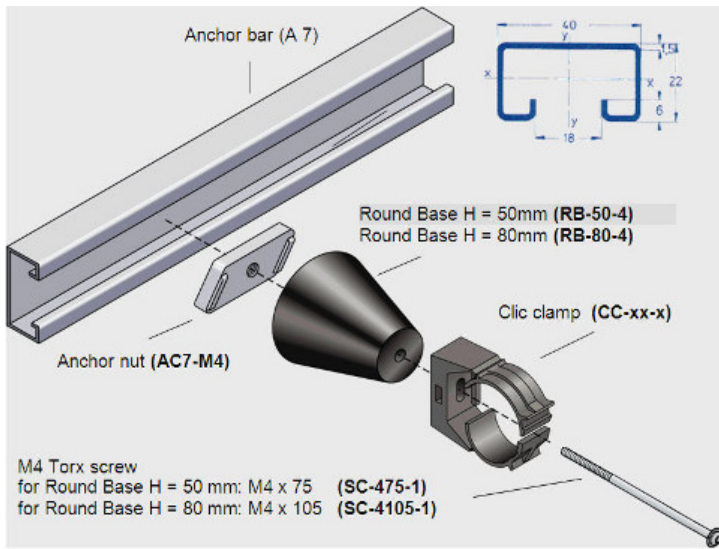
PACKAGING INFORMATION

Package Quantity		1
Weight per piece	kg (lb)	0.012 (0.026)



AC7-M4

AC Mounting hardware for Anchor Bar A7 profile



Installation example