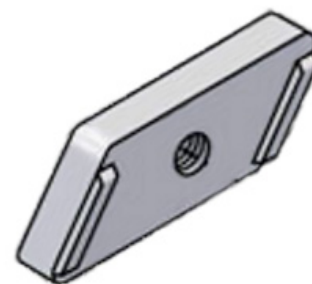




Clamping plate with M8 thread made of aluminium for fixation onto Anchor Bar A7 profile

FEATURES / BENEFITS

Lateral lugs for easy handling during installation



External Document Links

Notes

Technical features

GENERAL SPECIFICATIONS

| | | |
|----------------------------|--|--|
| Product Line | | Coaxial Cable Accessories Radiating Cable Accessories |
| Product Type | | Hanger |
| Hanger Type | | Clamping plate for anchor bar |
| Installation Hardware Type | | Anchor bar with slotwidth 18 to 22 mm (0.7 to 0.9 inch) |
| Cable Type | | Coaxial Foam Dielectric Radiating Cable |

MECHANICAL SPECIFICATIONS

| | | |
|----------------------------------|--|-----------|
| Number of Cable / Waveguide Runs | | 1 |
| Material | | Aluminium |

TEMPERATURE SPECIFICATIONS

| | | |
|--------------------------|---------|-------------------------|
| Installation Temperature | °C (°F) | -50 to 85 (-58 to 185) |
| Operation Temperature | °C (°F) | -50 to 85 (-58 to 185) |
| Storage Temperature | °C (°F) | -50 to 85 (-58 to 185) |

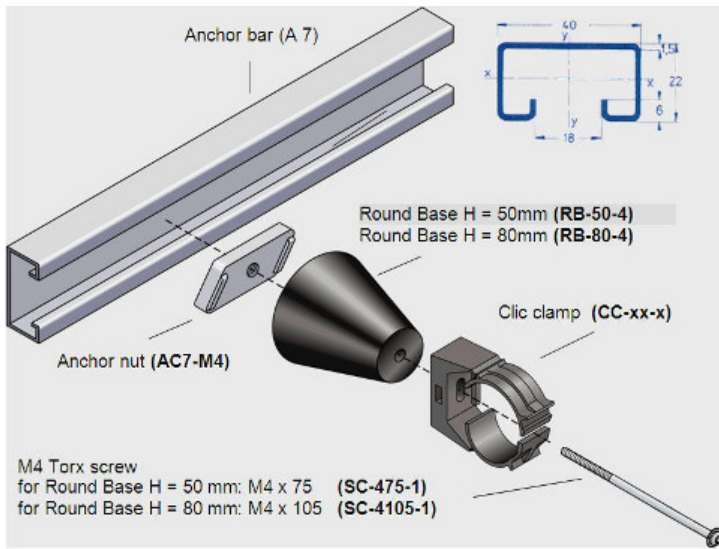
PACKAGING INFORMATION

| | | |
|------------------|---------|---------------|
| Package Quantity | | 1 |
| Weight per piece | kg (lb) | 0.012 (0.026) |



AC7-M8

AC Mounting hardware for Anchor Bar A7 profile



Installation example