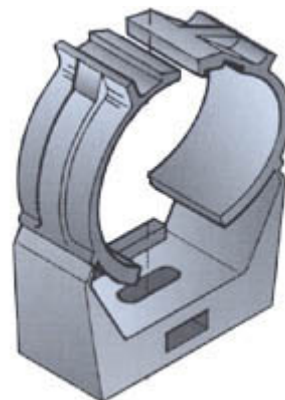




Clic Clamp, 1-1/4" RADIAFLEX polyamide black, halogen free  
fire class UL94HB

**FEATURES / BENEFITS**

Safe and efficient installation of RADIAFLEX® cable with clic-clamps. Simple mounting by using wall plugs and screws. Simply push in by hand, clamp will grip and lock by applying slight pressure.



clic\_clamp\_TI

**External Document Links**

**Notes**

\* valid for all cable versions

**Technical features**

**GENERAL SPECIFICATIONS**

|                               |  |   |
|-------------------------------|--|---|
| <b>Product Line</b>           |  | Radiating Cable Accessories                         |
| <b>Product Type</b>           |  | Hanger  |
| <b>Hanger Type</b>            |  | Clic clamp  |
| <b>Transmission Line Type</b> |  | RLF*<br>RLK*<br>RLV*<br>RAY*114-50*A<br>RCF114-50*A |
| <b>Cable Type</b>             |  | Radiating Cable                                     |
| <b>Color</b>                  |  | Black   |

**MECHANICAL SPECIFICATIONS**

|   |  |           |
|---|--|-----------|
| <b>Cable Size</b>                       |  | 1-1/4     |
| <b>Number of Cable / Waveguide Runs</b> |  | 1         |
| <b>Material</b>                         |  | Polyamide |

**TESTING AND ENVIRONMENTAL**

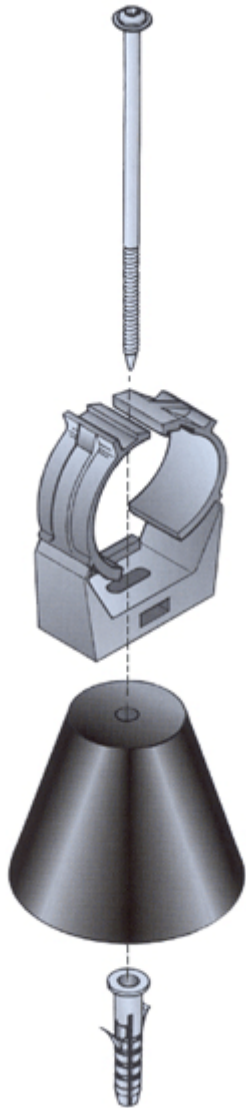
|                   |  |         |
|-------------------|--|---------|
| <b>Fire Class</b> |  | UL94 HB |
|-------------------|--|---------|

**TEMPERATURE SPECIFICATIONS**

|                                 |         |                         |
|---------------------------------|---------|-------------------------|
| <b>Installation Temperature</b> | °C (°F) | -20 to 80 (-4 to 176 )  |
| <b>Operation Temperature</b>    | °C (°F) | -50 to 85 (-58 to 185 ) |
| <b>Storage Temperature</b>      | °C (°F) | -50 to 85 (-58 to 185 ) |

**PACKAGING INFORMATION**

|                         |  |     |
|-------------------------|--|-----|
| <b>Package Quantity</b> |  | 100 |
|-------------------------|--|-----|



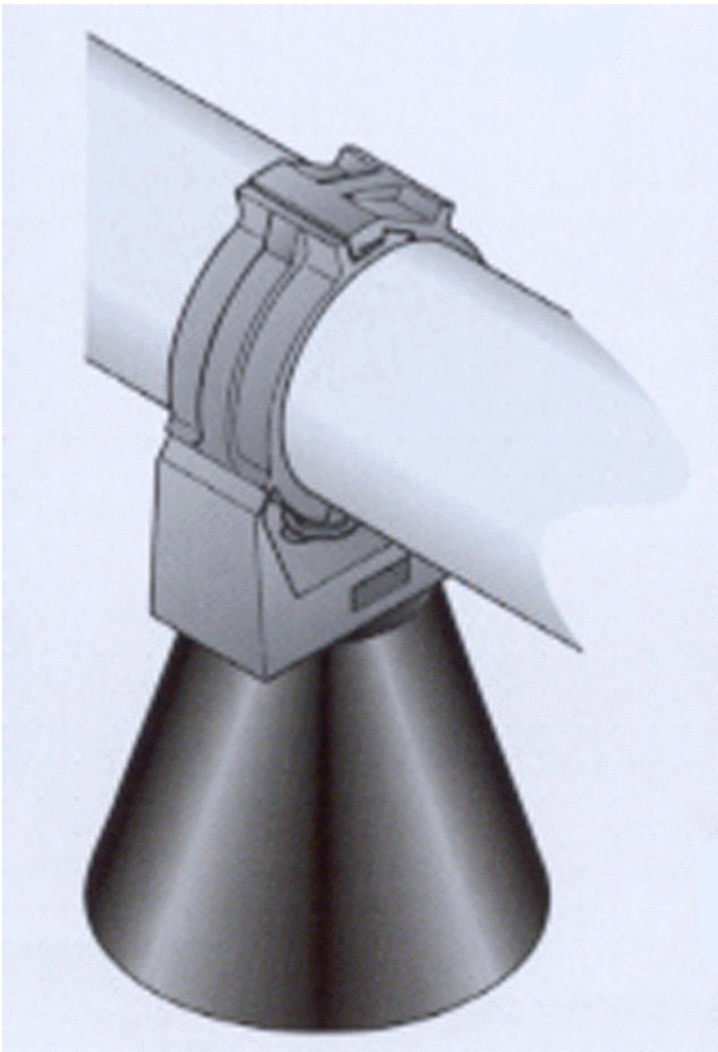


Image not found or type unknown

