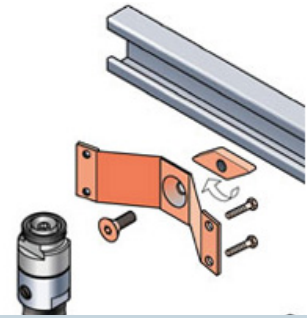




Connector grounding kit for LCF158 connectors

FEATURES / BENEFITS

These connector grounding kit provide direct connector grounding for instance an anchor bar. The assembly or disassembly is quick and easy while providing mechanical fixture and reliable ground path at the same time. All components are made of Stainless steel.



Technical features

STRUCTURE

Product Line		Coaxial Cable Accessories
Type of Grounding Kit		Connector grounding kit
Transmission Line Type		LCF158
Cable Type		Coaxial Foam Dielectric
Cable Size		1-5/8"
Number of Cable / Waveguide Runs		1
Material		Stainless Steel

TEMPERATURE SPECIFICATIONS

Operation Temperature	°C (°F)	-50 to 85 (-58 to 185)
Storage Temperature	°C (°F)	-50 to 85 (-58 to 185)

PACKAGING INFORMATION

Package Quantity		1
------------------	--	---

[External Document Links](#)

[Notes](#)