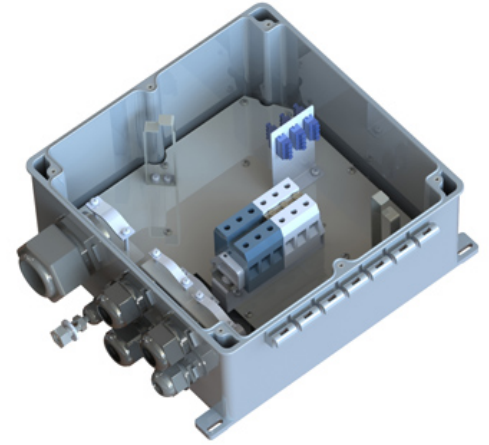




RFS' HYBRIFLEX Remote Radio Head (RRH) hybrid feeder cabling solution combines optical fiber and DC power for RRHs in a single lightweight aluminum corrugated cable, making it the world's most innovative solution for RRH deployments. It was developed to reduce installation complexity and costs at Cellular sites.

The HYBRIFLEX Distribution Box is part of the cabling solution for Remote Radio Units. It may be mounted on a tower, rooftop or other suitable location near the RRUs and acts as an interface between the riser cable and the jumper cables.



FEATURES / BENEFITS

- Configured for 1 hybrid riser in, 3 DC power jumpers and 3 fiber jumpers out
- IP65 rated enclosure, allowing for indoor or outdoor installation on a roof or tower top
- M12 pressure equalizing breather valve
- Ground column
- Mounting hardware included
- RoHS Compliant

External Document Links

[Installation Guidelines](#)

Notes

Included inserts/glands:

- 1 hybrid riser M50 gland with both 28mm and 39mm inserts - support 1 hybrid riser either 7/8 or 1-1/4 nominal cable OD
- 1 optical fiber jumper M25 gland with insert 3 x 7mm holes - supports up to 3 OF jumpers with 6.3mm - 7mm OD
- 3 power jumper M32 glands with both 12.5mm and 21.5mm inserts - supports up to 3 DC power jumpers, and mix of either 12.5mm OD or 21.5mm OD

Included Mounting Hardware Weight 2.13kg (4.7lb)

Technical features

GENERAL SPECIFICATIONS

Product Type		Hybriflex
---------------------	--	-----------

MECHANICAL SPECIFICATIONS

Material		UV resistant ABS and Polycarbonate
Weight	kg (lb)	3.58 (7.9)
Dimensions (LxWxD)	mm (in)	345 x 314 x 150 (13.57 x 12.38 x 5.91)
Mounting		Pole or Wall
Type of F/O Patch Panel		LC-4A Adapter
Type of DC Terminal		Screw terminal

TESTING AND ENVIRONMENTAL

Storage Temperature	°C (°F)	-40 to 85 (-40 to 185)
Operation Temperature	°C (°F)	-40 to 85 (-40 to 185)
Installation Temperature	°C (°F)	-40 to 85 (-40 to 185)
Sealing Class		IP65
UV-Protection		Yes



RISER CABLES SUPPORT

Number of Riser Cables supported		1
Diameter of Riser Cable		7/8 or 1-1/4
DC Cable Cross Section of supported Riser Cable	mm ² (in ²)	13.3mm ² /4AWG or 21mm ² /4AWG
Supported F/O Connections		12 pairs DLC
Supported DC Connections		3 pairs

JUMPER CABLES SUPPORT

Number of Jumper Cables supported		6
Diameter of Jumper Cable	mm (in)	21.5 (0.85)

ELECTRICAL SPECIFICATIONS

Protection Class		IP65
------------------	--	------

NO.	ITEM
1	Distribution box body
2	Metal plate
3	LC-4A adaptor
4	Power terminal strip
5	Fiber cable clamps
6	Cable mounting clamps
7	Cable gland M50
8	Cable gland M32
9	Cable gland M25 (3 × Φ 7)
10	Grounding column gland
11	Grounding column
12	Breather valve

