

This DC Block is used to prevent the flow of direct current and low frequency current surges along the inner and outer conductors of a transmission line, while permitting the unimpeded flow of RF signals. Applications include the blocking of current surges in subway tunnels. The unit consists of a length of coaxial line with a series capacitor in both the center conductor and outer conductor to block the flow of low frequencies, while passing RF with negligible loss or reflections.

FEATURES / BENEFITS

- Broadband frequency range from 80 to 3800MHz
- 3 kV High voltage rating
- Inner and Outer conductor separated
- PIM optimized design to minimize network interferences
- Minimal RF insertion loss
- 4.3-10 male/female connector

Technical features

GENERAL SPECIFICATIONS

Product Type		DC Block
Techn. Application		Indoor
Number of Input Ports		1
Number of Output Ports		1

ELECTRICAL SPECIFICATIONS

Frequency Range	MHz	80 - 3800
Impedance	Ohm	50
Insertion Loss	dB	0.25 @80 - 3800 MHz
Max. VSWR / Return Loss, dB	VSWR/dB	1.40/15.5 @80 - 100 MHz 1.30/17.7 @100 - 300 MHz 1.10/26.4 @300 - 1880 MHz 1.20/20.8 @1880 - 2700 MHz 1.25/19 @2700 - 3800 MHz
Intermodulation (IM3)		160dBc, typ -165dBc (2x20W)
Max. DC Blocking Voltage, KV	kV	3

MECHANICAL SPECIFICATIONS

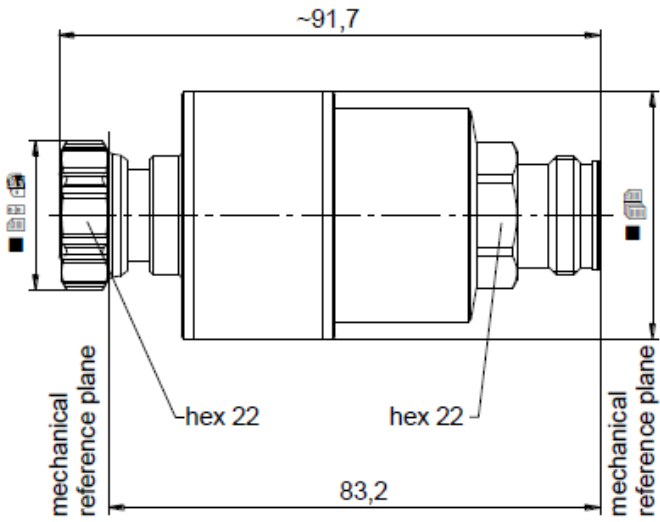
Connectors		4.3-10
Input Connector Type		4.3-10 male
Output Connector Type		4.3-10 female

TEMPERATURE SPECIFICATIONS

Temperature Range	°C (°F)	-40 to 55 (-40 to 131)
-------------------	---------	------------------------

TESTING AND ENVIRONMENTAL

Environmental Class		IP67 per EN60529
---------------------	--	------------------



External Document Links

Notes

1. RF CW Power, max: 1500W @ 80MHz, 300W @1880MHz, 250W @ 2700MHz, 130W @3800MHz ((for VSWR=1,0 at sea level, ambient temperature 40°C)
2. Blocking DC voltage for VSWR=1,0 at sea level, ambient temperature 20°C