

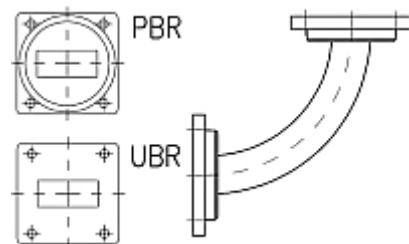


Rectangular Waveguide R 320 E-Bend 90 degree,
 flanges PBR/UBR 320, f= 26.3-40.0 GHz,
 VSWR max 1.10, A=40mm (1,5"),
 gasket and screw kit enclosure
 gasket and screw kit enclosure
 made of copper

FEATURES / BENEFITS

Waveguide installation

- The rectangular waveguide component provides simple installation in particular difficult cases
- It can be installed where less space is available
- It provides outstanding electrical performance



Picture only for illustration

Technical features

STRUCTURE

| | | |
|---|--|-----------------|
| Type of Rectangular Waveguide Component | | Bend in E-Plane |
| Waveguide Size IEC (EIA) | | R320 (WR28) |
| Flange A | | PBR320 |
| Flange B | | UBR320 |
| Flange Finish | | Brass un-plated |
| Package Quantity | | 1 |

ELECTRICAL SPECIFICATIONS

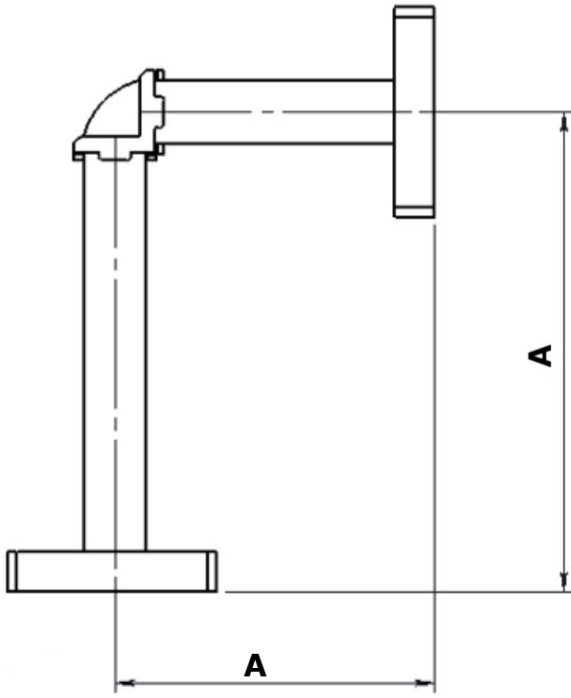
| | | |
|---------------------------------|-----------|-------------|
| Minimum Return Loss (max. VSWR) | dB (VSWR) | 26.4 (1.10) |
|---------------------------------|-----------|-------------|

MECHANICAL SPECIFICATIONS

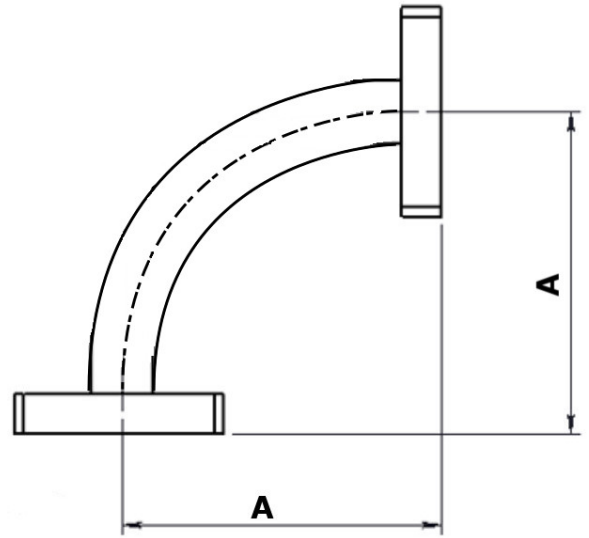
| | | |
|------------|---------|---------|
| Bend/Twist | degree | 90 |
| Length | mm (in) | 40 (15) |

MATERIAL

| | | |
|----------|--|--------|
| Material | | Copper |
| Color | | Black |



Design with casted bend



Design with accurate waveguide bend

External Document Links

Notes