



Hangers for the installation of HELIFLEX® cables on different supporting profiles.  
 Cable Clamp and Extended Counterbed hot-galvanized steel  
 Screw: stainless steel.

**FEATURES / BENEFITS**



picture shows the 1L4 version  
for illustration purpose only

**Technical features**

**GENERAL SPECIFICATIONS**

|                        |  |                           |
|------------------------|--|---------------------------|
| Product Line           |  | Coaxial Cable Accessories |
| Product Type           |  | Hanger                    |
| Hanger Type            |  | Angle iron 40mm (1.575")  |
| Transmission Line Type |  | HCA550                    |
| Cable Type             |  | Air Dielectric            |

**MECHANICAL SPECIFICATIONS**

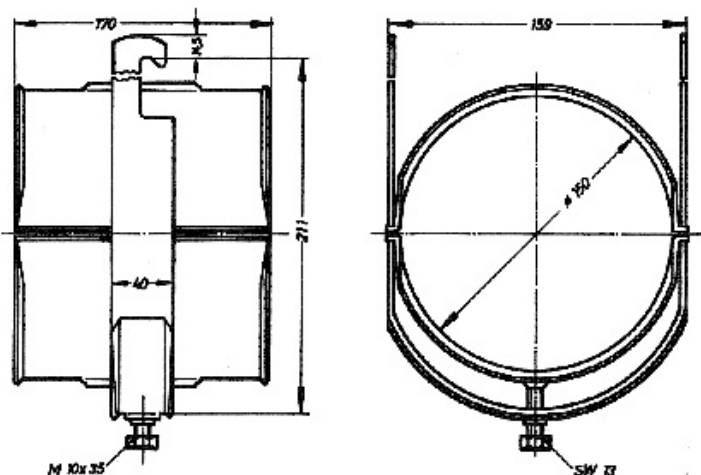
|  |        |  |
|--|--------|--|
| Cable Size                             |        | 5-1/2  |
| Material                               |        | Cable Clamp : hot-dip galvanized<br>Extended Counterbed : hot-dip galvanized<br>Screw: Stainless steel |
| Recommended / Maximum<br>Clamp Spacing | m (ft) | 1 / 2 (3.3 / 6.6)  |

**TEMPERATURE SPECIFICATIONS**

|                       |         |                         |
|-----------------------|---------|-------------------------|
| Operation Temperature | °C (°F) | -50 to 85 (-58 to 185 ) |
| Storage Temperature   | °C (°F) | -50 to 85 (-58 to 185 ) |

**PACKAGING INFORMATION**

|                  |  |   |
|------------------|--|---|
| Package Quantity |  | 1 |
|------------------|--|---|





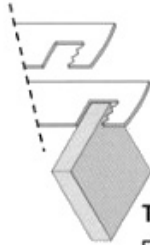
**HCH Clamps available for different types of interfaces:**



**Type C**  
For anchor bar  
(18-22mm slot)



**Type L**  
For angle iron  
(in different sizes)



**Type R**  
For flat iron  
(6 – 12 mm)

[External Document Links](#)

[Notes](#)

Hangers for angle iron 40mm (1.575")