



This PDS*E series are Power Splitters, designed to evenly split high power cellular signals with minimal reflections or loss. They are specified to cover 694- 3800 MHz. The wide frequency ranges of these models allow use with multiband antennas and leaky cable systems. With few solder joints and an air dielectric, the loss is minimal and reliability enhanced.



FEATURES / BENEFITS

- Multiple-Band Frequency Ranges
- 200 Watt Power Rating
- High Reliability
- Low Cost Design for Outdoor Application
- Low Specified PIM
- 716-female Connectors

Technical features

STRUCTURE

Product Type		Power Divider
Techn. Application		Indoor
Number of Input Ports		1
Number of Output Ports		2
Connectors		716-female

ELECTRICAL SPECIFICATIONS

Frequency Range	MHz	694 - 3800
Impedance	Ohm	50
Max. VSWR / Return Loss, dB	VSWR/dB	1.25 / 19.1
Split Loss	dB	3.3
Max Ripple	dB	0.3
Intermodulation (IM3)		-155 dBc with 2x43 dBm tones
Total Input Power	W	200

TEMPERATURE SPECIFICATIONS

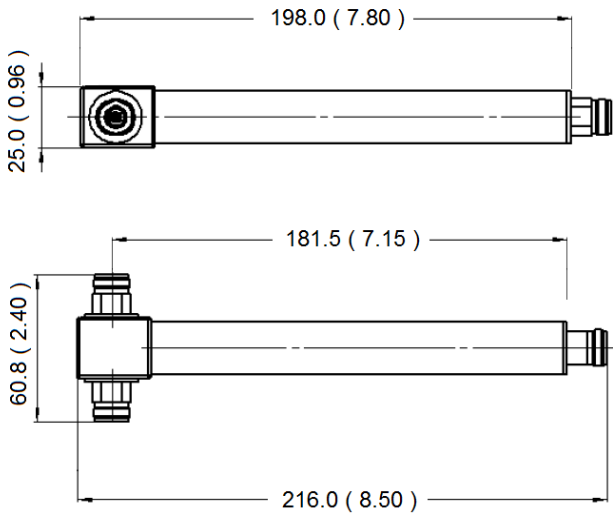
Temperature Range	°C (°F)	-25 to +65 (-13 to +149)
-------------------	---------	--------------------------

MECHANICAL SPECIFICATIONS

Height (Less Connectors)	mm (in)	25 (0.98)
Width (Less Connectors)	mm (in)	25 (0.98)
Length (Less Connectors)	mm (in)	198 (7.8)

TESTING AND ENVIRONMENTAL

Environmental Class		IP65
---------------------	--	------



Dimensions mm(inch)

External Document Links

Notes

- Mounting Hardware not included