

The 43-TER Series are coaxial loads which operate from DC up to 3.8 GHz. The products are ideally suited for termination of unused ports in distributed antenna systems or in RADIAFLEX® radiating cables systems.

**FEATURES / BENEFITS**

- Ideal for all kind of DAS applications
- Finned termination for optimized heat dissipation
- Low VSWR

**Technical features**

**GENERAL SPECIFICATIONS**

Product Type		Load
Techn. Application		Indoor

**ELECTRICAL SPECIFICATIONS**

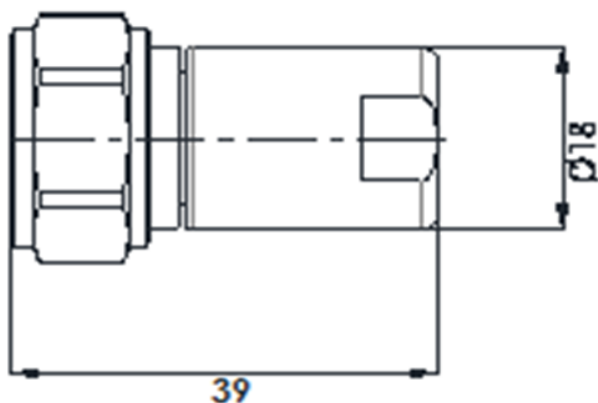
Frequency Range	MHz	DC-3.800
Impedance	Ohm	50
Max. VSWR / Return Loss, dB	VSWR/dB	/19
Total Input Power	W	2

**MECHANICAL SPECIFICATIONS**

Input Connector Type		4.3-10 male
Diameter	mm (in)	18 (0.71)
Length	mm (in)	39 (1.53)

**TEMPERATURE SPECIFICATIONS**

Temperature Range	°C (°F)	-25 to 65 (-13 to 149)
Environmental Class		Indoor



External Document Links

Notes

Derated power by -1.5%/°C above 50°C