

The TER* 3800MHz Series consists of coaxial loads which operate from DC up to 3800MHz. The products are ideally suited for termination of unused ports in distributed antenna systems or in RADIAFLEX® radiating cables systems.

FEATURES / BENEFITS

- Ideal for all kind of DAS applications
- Finned termination for heat dissipation
- Low VSWR

Technical features

GENERAL SPECIFICATIONS

Product Type		Load
Techn. Application		Indoor

ELECTRICAL SPECIFICATIONS

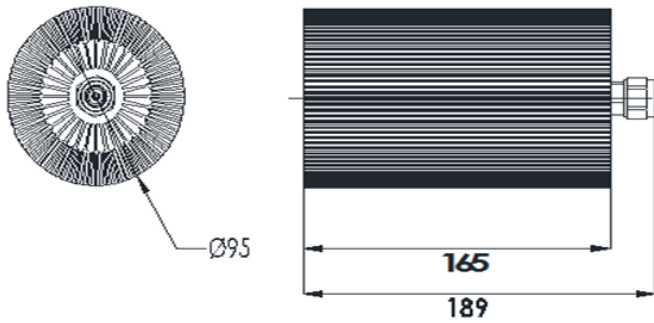
Frequency Range	MHz	0 - 3800MHz
Impedance	Ohm	50
Max. VSWR / Return Loss, dB	VSWR/dB	/19
Total Input Power	W	100

MECHANICAL SPECIFICATIONS

Input Connector Type		N male
Diameter	mm (in)	95 (3.74)
Length	mm (in)	189 (7.44)

TEMPERATURE SPECIFICATIONS

Temperature Range	°C (°F)	-25 to 50 (-13 to 122)
Environmental Class		Indoor



[External Document Links](#)

[Notes](#)