



Radio Frequency Systems



APM50-H3 MOUNTING KIT INSTALLATION INSTRUCTIONS

REV. 1.2 | 2021.05



Mounting Instructions for APM50-H3 Kit

SUMMARY

1. Applications.....	3
2. Mechanical Specifications	3
3. Assembly and Installation	3
4. Installation Tools	3
5. Brackets	4
6. Installation Without U-shaped Connecting Plate	4
7. Installation Without Downtilt kit	4
8. Installation With Downtilt Kit	5
9. Antenna Mechanical Downtilt Range.....	7

Mounting Instructions for APM50-H3 Kit

1. APPLICATIONS

The APM50 kits are mounting hardware options to be used for Base Station antennas.

2. MECHANICAL SPECIFICATIONS





- Pole Diameter: 50-125 mm
- Material: Q235, Hot-Dip Galvanized
- Weight: 6 kg

3. ASSEMBLY AND INSTALLATION

Please read this manual before installation.

1. Only qualified personnel are allowed to install the antenna.
2. Before the installation, check whether the brackets are complete. The bracket consists of downtilt kit and the clamps, wherein downtilt kit is arranged in the lining block of the packing box, and the clamps is arranged under the antenna inside the packing box.
3. The appearance of the antennas shown in the figures is only for reference and may differ from the actual one.
4. Before the installation, check the appearance of the brackets according to this guide. The installation methods vary with the component appearance. The installation procedures described in this guide must be strictly followed.
5. The antenna can be equipped with the downtilt kit or without the downtilt kit. Select an installation mode based on site conditions.
6. The protection caps of antenna ports not connecting to jumpers must not be removed. Meanwhile, waterproof measures must be taken to protect these antenna ports.

4. INSTALLATION TOOLS


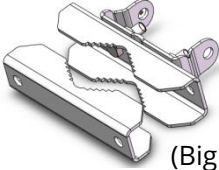
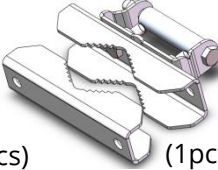
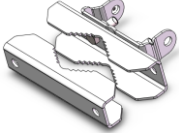
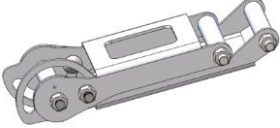

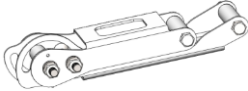

<p>Inclinometer</p> 	<p>Torque wrench</p> 
<p>13mm (2pcs) 13mm combination wrench (2pcs)</p> 	<p>17mm (2pcs) 17mm combination wrench (2pcs)</p> 

MAXIMUM TORQUE

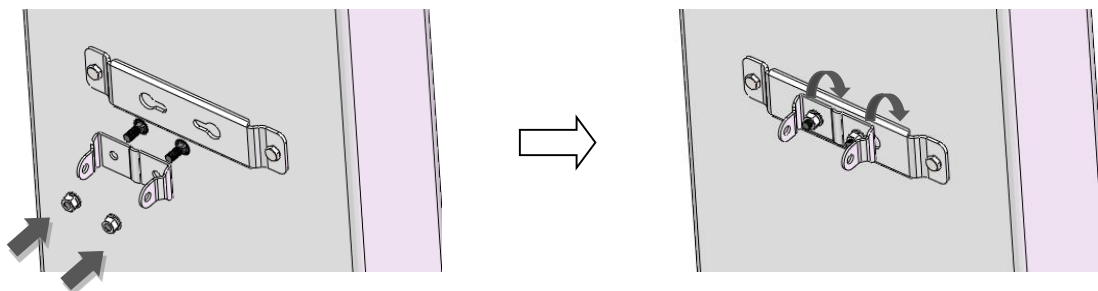
M8	20 Nm
M10	40 Nm

Mounting Instructions for APM50-H3 Kit

5. BRACKETS

<p>Clamps</p>	 (M10, 6pcs)	 (Big 1pcs)	 (1pcs)	 (Small 1pcs)
<p>Downtilt kit</p>	 (Big 1pcs)	 (M10, 4pcs) (Big 2pcs)	 (Small 1pcs)	 (M8, 2pcs) (Small 1pcs)

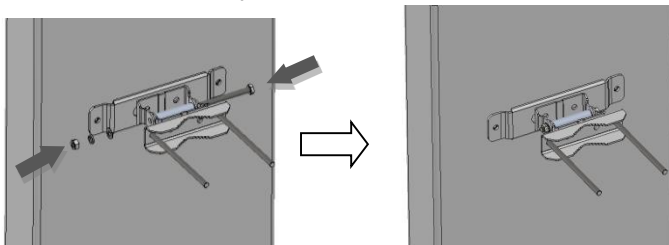
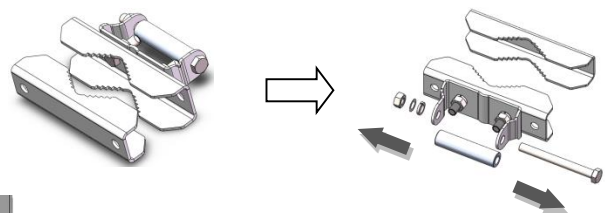
6. INSTALLATION WITHOUT U-SHAPED CONNECTING PLATE



The same installation method applies to both upper and lower clamps. Install and tighten the nuts.

7. INSTALLATION WITHOUT DOWNTILT KIT

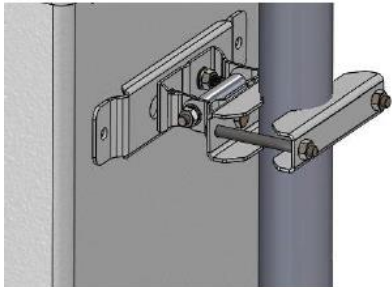
1. Disassemble the clamps (1 or 2pcs).
2. Install the clamps.



The same installation method applies to both upper and lower clamps. Install and tighten the nuts.

3. Install the antenna.

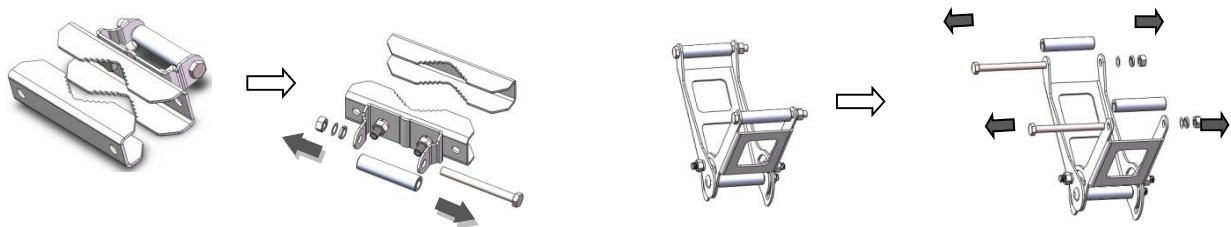
Mounting Instructions for APM50-H3 Kit



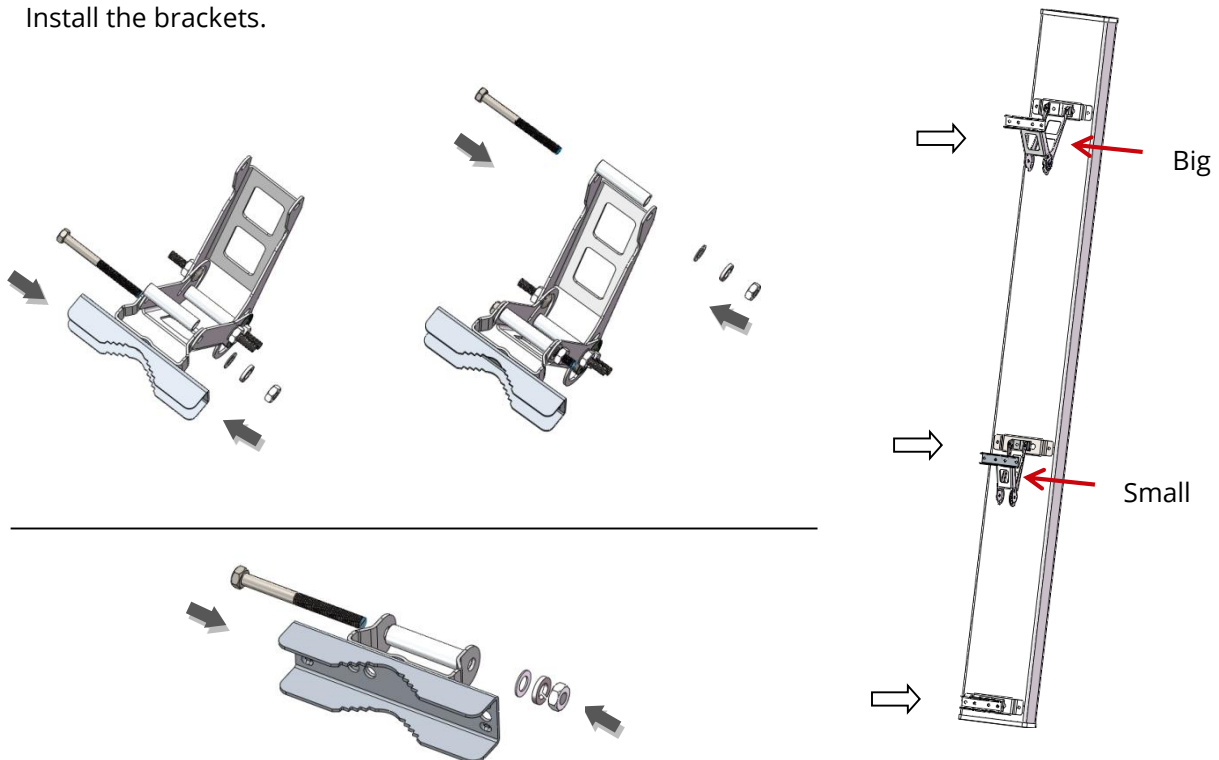
- a. The mechanical downtilt of the antenna is fixed to 0° and cannot be adjusted.
- b. The same installation method applies to both upper and lower clamps. Install and tighten the nuts.
- c. Check and tighten all the nuts when the installation is complete.

8. INSTALLATION WITH DOWNTILT KIT

1. Disassemble the brackets.



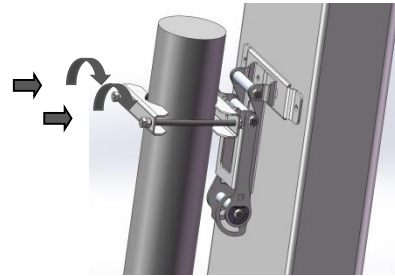
2. Install the brackets.



3. Install the antenna.

Mounting Instructions for APM50-H3 Kit

Tighten all the nuts before lifting the antenna onto the tower. Ensure the bracket is fully folded.

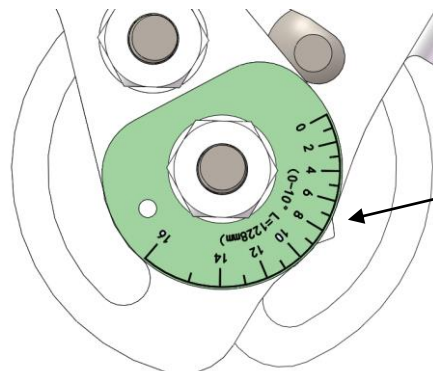
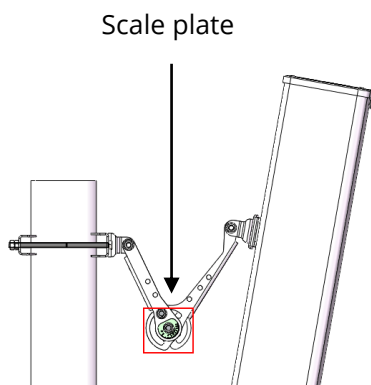


The same installation method applies to both upper and lower brackets. Install and tighten the nuts.

4. Adjust the mechanical downtilt.

Method 1: Use a scale plate.

Method 1 is used to roughly adjust the mechanical tilt. The reading is only for reference.



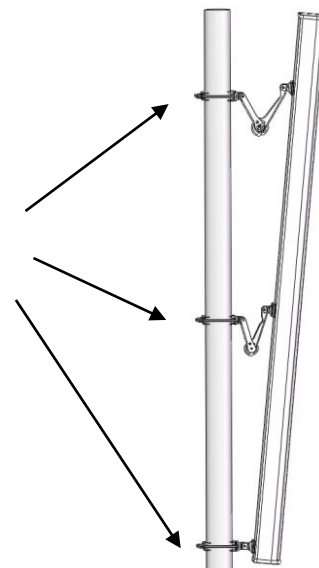
Example of a scale plate (8°)

Method 2: Use an inclinometer.

Method 2 is used to precisely adjust the mechanical tilt.



Fasten upper and lower brackets





Mounting Instructions for APM50-H3 Kit

9. ANTENNA MECHANICAL DOWNTILT RANGE

Antenna Length (mm)	Mechanical Downtilt Range (°)
$L \geq 2600$	0-8
$2200 \leq L < 2600$	0-10
$1800 \leq L < 2200$	0-12
$1000 \leq L < 1800$	0-16
$600 \leq L < 1000$	0-20
$L < 600$	0-30

About RFS

Radio Frequency Systems (RFS) delivers the end-to-end RF solutions and expert services needed to evolve wireless and broadcast networks today and tomorrow. Our cables, connectors, antenna systems and RF conditioning products are based on more than 120 years of experience delivering cutting-edge RF solutions and industry firsts. As a result, our solutions are recognized globally for their innovation, superior performance and unmatched quality.

As an ISO-compliant company with global operations, we bring our customers world-class engineering and manufacturing skills backed with comprehensive local support services. Our customers know they can rely on our expertise and commitment to excellence from initial design to final delivery and beyond — whether they're looking to support 5G, deploy small cells, empower smart cities or improve indoor coverage in the most challenging locations.

Australia

Kilsyth
+61 3 9751 8400
Technical Support
Technical.Support@rfsworld.com

Latin America

Sao Paulo
Technical Support
MTS.Latam@rfsworld.com

China

Shanghai
+86 21 3773 8888
Technical Support
Technical.Support@rfsworld.com

France, Italy, Spain

Paris, Vimercate, Madrid
Technical Support
Product.Support@rfsworld.com

Germany

Hannover
+49 511 676 55 - 0
Technical Support
Product.Support@rfsworld.com

India

Gurgaon
+91-124-4092788
Technical Support
Technical.Support@rfsworld.com

North America

Meriden, CT
+1.800.321.4700
Technical Support
ApplicationsEngineering@
rfsworld.com

Mexico

Tlalnepantla de Baz
+52 55 2881-1100
Technical Support
MTS.Latam@rfsworld.com

Russia

Moscow
Technical Support
Product.Support@rfsworld.com

UAE

Dubai
+971 4 568 7979
Technical Support
Product.Support@rfsworld.com

United Kingdom

Haddenham
+44 1844 294900
Technical Support
Product.Support@rfsworld.com