



Radio Frequency Systems line of high-performance HELIFLEX® coaxial cable connectors are characterized by excellent gas tightness and extremely low losses. HELIFLEX® connectors can be installed with basic hand tools. Tab flare of outer connection and use of o-ring sealing simplifies installation of the connector.

RFS connectors are fully tested for mechanical and electrical compliance to specifications. HELIFLEX® connectors have excellent electrical values and provide outstanding performance for the most demanding applications. The RFS connector design provides maximum sealing integrity and gas tightness.

**FEATURES / BENEFITS**

- Easy installation utilizing only basic hand tools.
- Tab flare of outer contact attachment means quick and simple installation.
- No need for sealing compound. The connector is ready for pressurization immediately after installed to the cable.
- Excellent gas tightness. Overpressure for increased voltage handling is maintained throughout the system.
- Outstanding VSWR performance improves overall system performance.
- Totally waterproof, assures safe, long term operation in the harshest of environments.
- RoHS (EU) and CRoHS (China) compliant, can be used on a global basis.



158EIA Connector for HCA158 Cable

**Technical features**

**GENERAL SPECIFICATIONS**

Transmission Line Type		Coaxial Cable
Cable Size		1-5/8
Cable Type		Air Dielectric
Model Series		HCA158-50 Series
Connector Interface		1-5/8" EIA
Connector Type		Gas stop/ Gas pass - See Note 1)
Sealing Method		O-ring seal
Gender		Female - See Note 2)

**ELECTRICAL SPECIFICATIONS**

Insertion loss	dB	< 0.05dB
VSWR, Return Loss	VSWR (dB)	0 < f ≤ 860 MHz: 1.02 (40) 860 MHz < f ≤ 2.7 GHz: 1.06 (30.7)

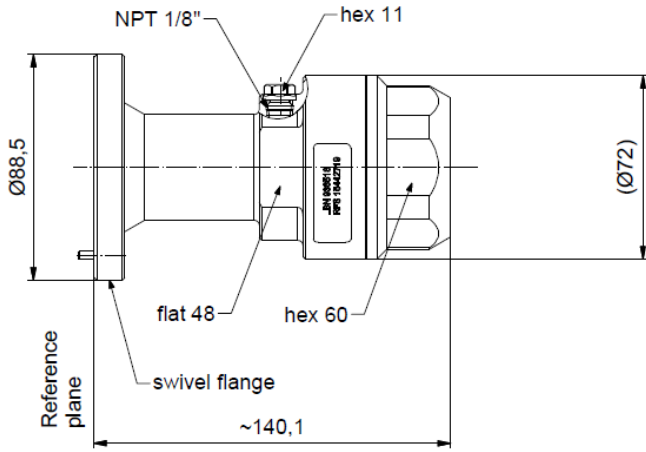
**MECHANICAL SPECIFICATIONS**

Plating Outer/Inner		Tri Plate/Silver
Length	mm (in)	140 (5.51)
Outer Diameter	mm (in)	89 (3.5)
Outer Contact Attachment		Tab Flare



**158EIA-HCA158-019**

1-5/8" EIA Connector for 1-5/8" Coaxial Cable, Gas stop/ Gas pass,O-Ring Sealing



158EIA-HCA158-019 connector, dimensions in mm

**External Document Links**

[Installation Instruction](#)

**Notes**

- 1) The connector is converted to gas pass by drilling through the pilot hole in the insulator.
  - 2) Connector model with -019KT suffix denote connectors that are supplied with an inner connector and flange hardware.
- Connector model -019 does not include an inner connector and flange hardware.